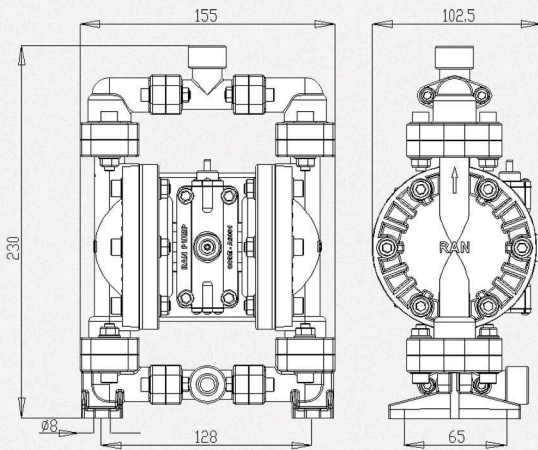


1/4" (6,35 mm) PVDF BODY PUMP

A8-PVX



■ Dimensions (mm)

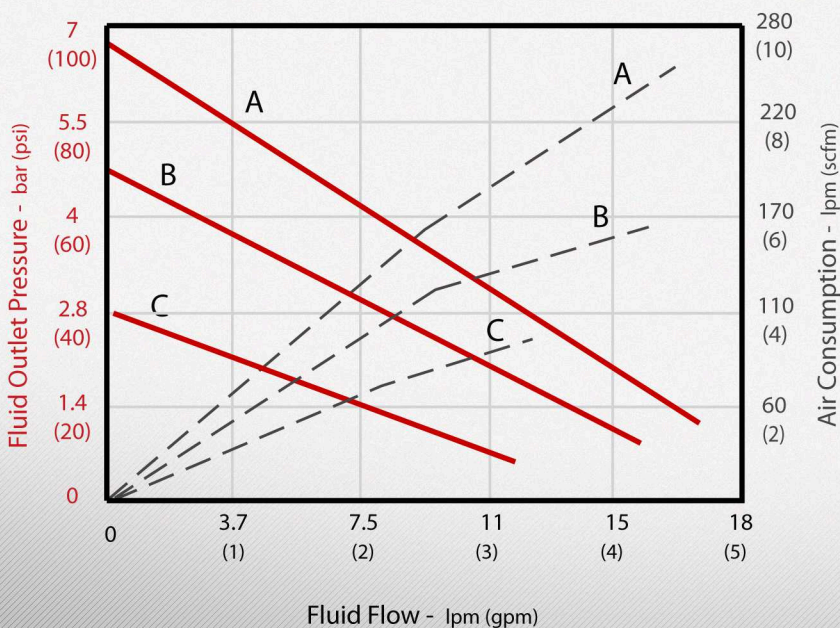


- Maximum Flow Rate : 18 lpm
- Max. Air Consumption: 250 lpm
- Per Cycle: 0.072 lt
- Fluid Inlet / Outlet Size: 1/4 inch
- Air Inlet Size: 1/8 inch
- Max. Fluid Working Pressure: 7 bar
- Max. Size Pumpable Solids: 1 mm
- Housing Material Options: PVDF
- Maximum Suction Lift: 2 m
- Weight: 1.2 kg
- Max. Working Temperature: 70 °C - 158 F
- Sound Level (at 5 bar): 70 dBa
- Valve Ball Options: Santoprene - PTFE
- Valve Seat Options: Santoprene - PTFE

■ Diaphragm Options:

Material	Temperature Limits
PTFE	+4,4 +104.4 °C
Santoprene	-28.9 +104.4 °C

■ Performance Curves



A - 7bar (100psi) Air Pressure
 B - 5bar (70psi) Air Pressure
 C - 3bar (40psi) Air Pressure

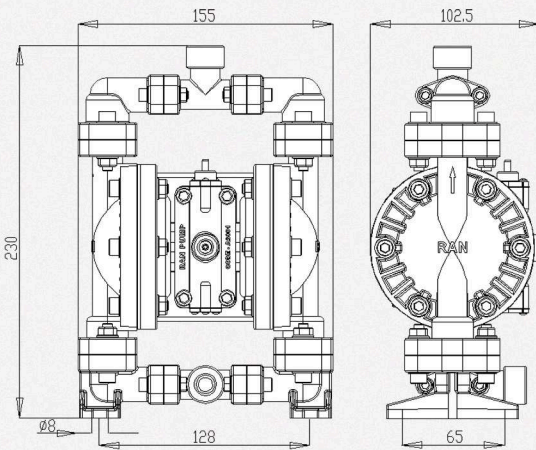
- **Test Conditions:** Pump tested with water with inlet submerged using Santoprene diaphragm. If using PTFE diaphragm, capacity decreases by %20.

-All the values shown are approximate and not binding.

1/4" (6,35 mm) PLASTIC BODY PUMP



■ Dimensions (mm)

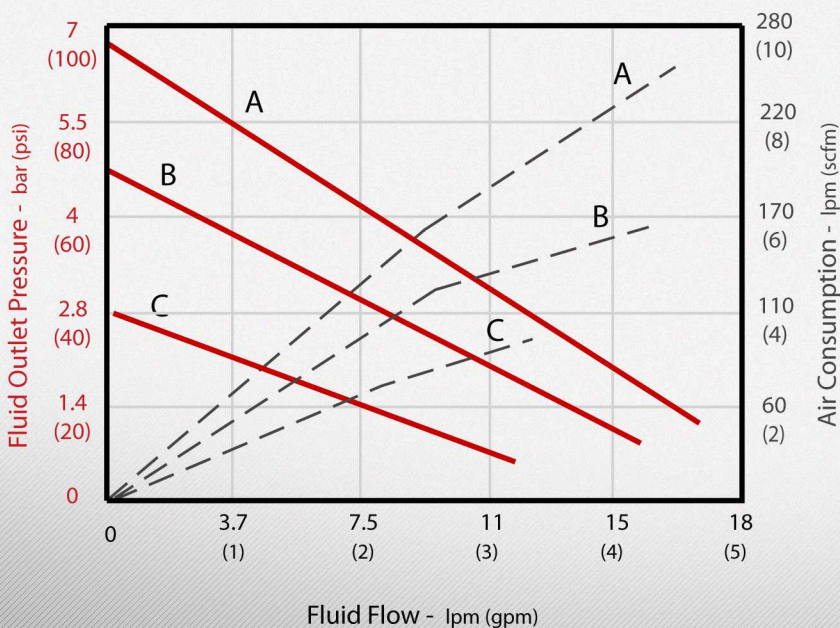


- Maximum Flow Rate : 18 lpm
- Max. Air Consumption: 250 lpm
- Per Cycle: 0.65 lt
- Fluid Inlet / Outlet Size: 1/4 inch
- Air Inlet Size: 1/8 inch
- Max. Fluid Working Pressure: 7 bar
- Max. Size Pumpable Solids: 1 mm
- Housing Material Options: Polypropylene - PVDF
- Maximum Suction Lift: 2 m
- Weight: 1.2 kg
- Max. Working Temperature: 70 °C - 158 F
- Sound Level (at 5 bar): 70 dBa
- Valve Ball Options: Santoprene - PTFE
- Valve Seat Options: Santoprene - PTFE

■ Diaphragm Options:

Material	Temperature Limits
PTFE	+4,4 +104.4 °C
Santoprene	-28.9 +104.4 °C

■ Performance Curves



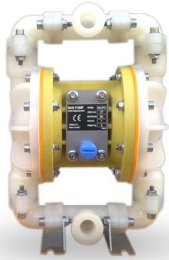
A - 7bar (100psi) Air Pressure
 B - 5bar (70psi) Air Pressure
 C - 3bar (40psi) Air Pressure

- **Test Conditions:** Pump tested with water with inlet submerged using Santoprene diaphragm. If using PTFE diaphragm, capacity decreases by %20.

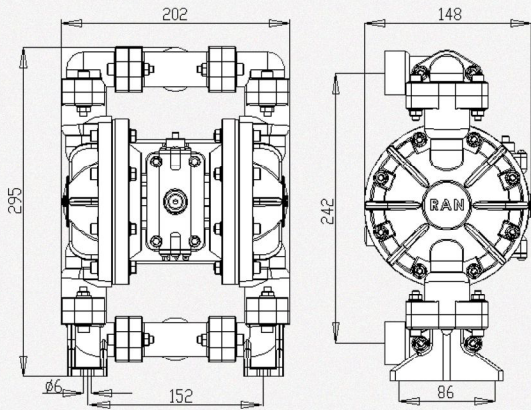
-All the values shown are approximate and not binding.

1/2" (12.7 MM) PVDF BODY PUMP

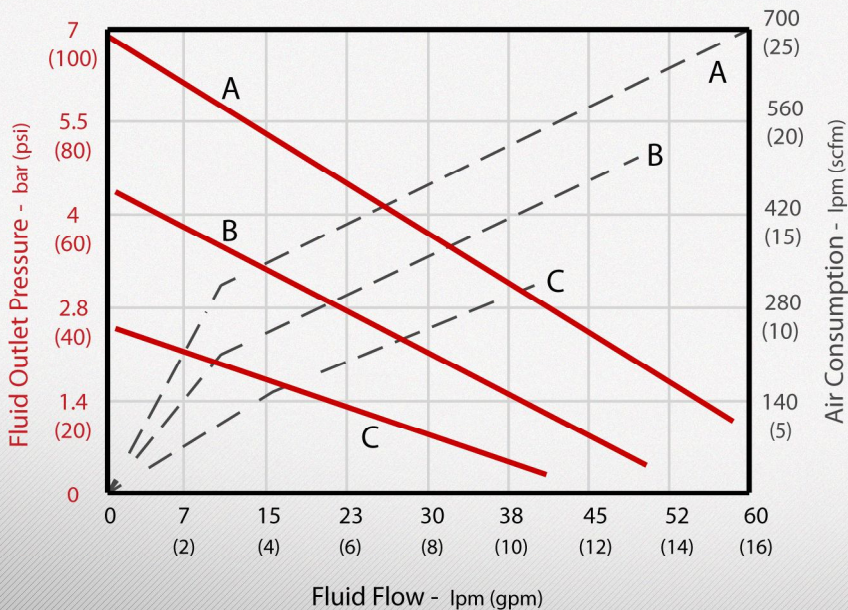
B15-PVX



■ Dimensions (mm)



■ Performance Curves



A - 7bar (100psi) Air Pressure
 B - 5bar (70psi) Air Pressure
 C - 3bar (40psi) Air Pressure

- **Test Conditions:** Pump tested with water with inlet submerged using Buna-N diaphragm. If using PTFE diaphragm, capacity decreases by %20.

-All the values shown are approximate and not binding.

- Maximum Flow Rate : 60 lpm
- Max. Air Consumption: 520 lpm
- Per Cycle: 1.25 lt
- Fluid Inlet / Outlet Size: 1/2 inch
- Air Inlet Size: 1/4 inch
- Max. Fluid Working Pressure: 7 bar
- Max. Size Pumpable Solids: 1.5 mm
- Housing Material Options: PVDF
- Maximum Suction Lift: 3 m
- Weight: 3.5 kg
- Max. Working Temperature: 66°C (150°F)
- Sound Level (at 5 bar): 74 dBa
- Valve Ball Options: Santoprene-PE-PTFE
- Valve Seat Options: PE-PTFE

■ Diaphragm Options:

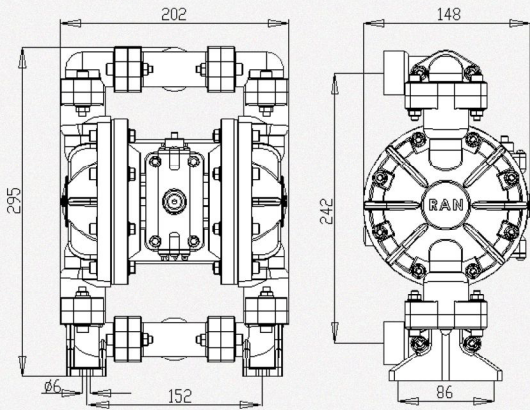
Material	Temperature Limits
PTFE	+4,4 +104.4 °C
Santoprene	-28.9 +104.4 °C
Buna-N	-12.2 +82.2 °C
Viton	-40 +176.7 °C
E.P.D.M.	-51.1 +137.8 °C

1/2" (12.7 MM) PLASTIC BODY PUMP

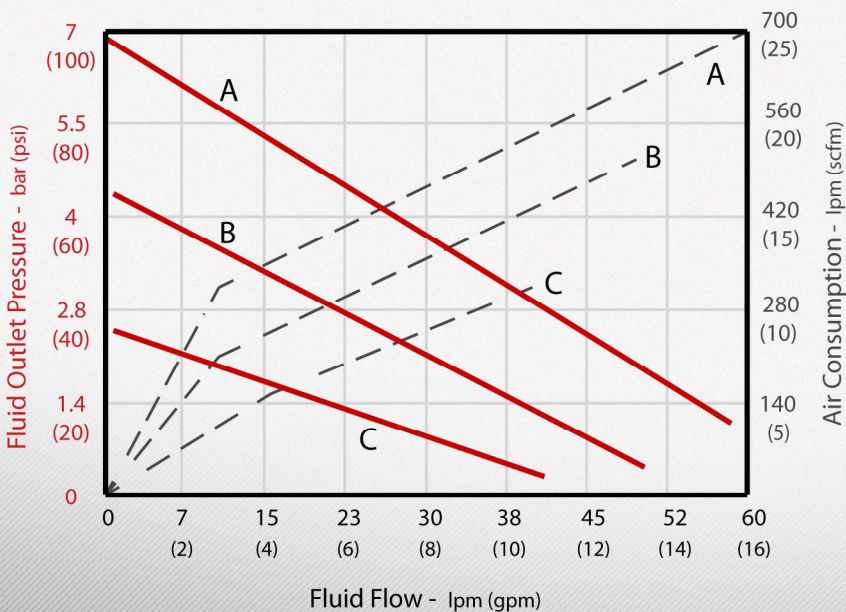
B15-PX



■ Dimensions (mm)



■ Performance Curves



A - 7bar (100psi) Air Pressure
 B - 5bar (70psi) Air Pressure
 C - 3bar (40psi) Air Pressure

- **Test Conditions:** Pump tested with water with inlet submerged using Buna-N diaphragm. If using PTFE diaphragm, capacity decreases by %20.

-All the values shown are approximate and not binding.

- Maximum Flow Rate : 60 lpm
- Max. Air Consumption: 520 lpm
- Per Cycle: 1.25 lt
- Fluid Inlet / Outlet Size: 1/2 inch
- Air Inlet Size: 1/4 inch
- Max. Fluid Working Pressure: 7 bar
- Max. Size Pumpable Solids: 1.5 mm
- Housing Material Options: Polypropylene - PVDF
- Maximum Suction Lift: 3 m
- Weight: 3.5 kg
- Max. Working Temperature: 66°C (150°F)
- Sound Level (at 5 bar): 74 dBa
- Valve Ball Options: Santoprene-PE-PTFE
- Valve Seat Options: PE-PTFE

■ Diaphragm Options:

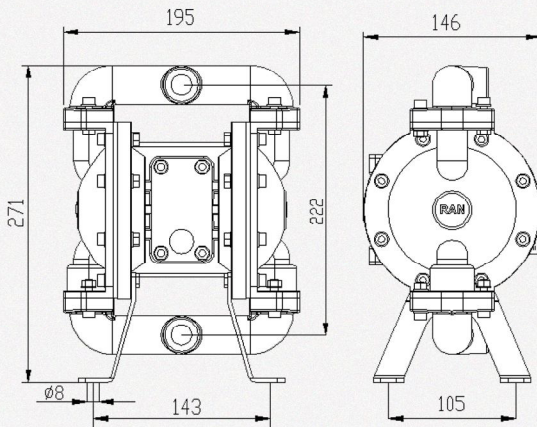
Material	Temperature Limits
PTFE	+4,4 +104.4 °C
Santoprene	-28.9 +104.4 °C
Buna-N	-12.2 +82.2 °C
Viton	-40 +176.7 °C
E.P.D.M.	-51.1 +137.8 °C

1/2" (12.7 MM) METAL BODY PUMP

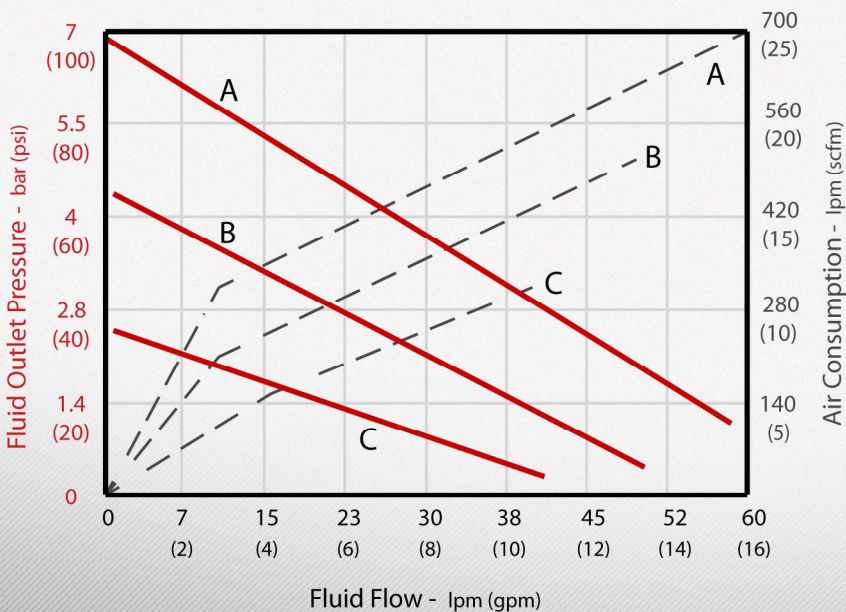
B15-AX



■ Dimensions (mm)



■ Performance Curves



A - 7bar (100psi) Air Pressure
 B - 5bar (70psi) Air Pressure
 C - 3bar (40psi) Air Pressure

- **Test Conditions:** Pump tested with water with inlet submerged using Buna-N diaphragm. If using PTFE diaphragm, capacity decreases by %20.

-All the values shown are approximate and not binding.

- Maximum Flow Rate : 60 lpm
- Max. Air Consumption: 520 lpm
- Per Cycle: 1.25 lt
- Fluid Inlet / Outlet Size: 1/2 inch
- Air Inlet Size: 1/4 inch
- Max. Fluid Working Pressure: 7 bar
- Max. Size Pumpable Solids: 1.5 mm
- Housing Material Options: Aluminium
- Maximum Suction Lift: 3 m
- Weight: 3 kg
- Sound Level (at 5 bar): 80 dBA
- Valve Ball Options: Santoprene-PE-Delrin-PTFE
- Valve Seat Options: PE-Delrin-PTFE

■ Diaphragm Options:

Material	Temperature Limits
PTFE	+4.4 +104.4 °C
Santoprene	-28.9 +104.4 °C
Buna-N	-12.2 +82.2 °C
Viton	-40 +176.7 °C
E.P.D.M.	-51.1 +137.8 °C

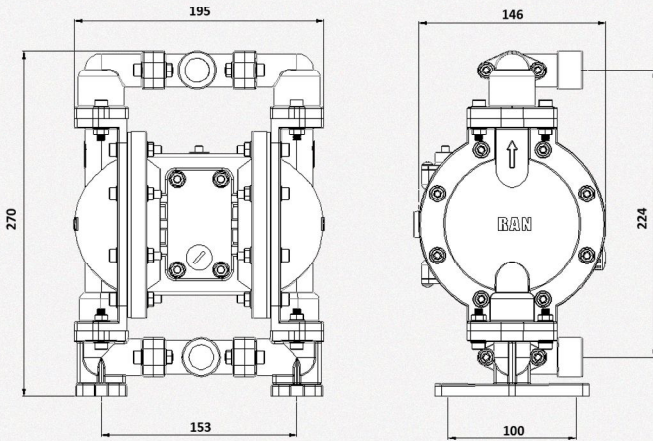
1/2" (12.7 MM) STAINLESS STEEL BODY PUMP



B15-SX

- Maximum Flow Rate : 60 lpm
- Max. Air Consumption: 520 lpm
- Per Cycle: 1.25 lt
- Fluid Inlet / Outlet Size: 1/2 inch
- Air Inlet Size: 1/4 inch
- Max. Fluid Working Pressure: 7 bar
- Max. Size Pumpable Solids: 1.5 mm
- Housing Material Options: Stainless Steel
- Maximum Suction Lift: 3 m
- Weight: 6.8 kg
- Sound Level (at 5 bar): 74 dBA
- Valve Ball Options: PTFE
- Valve Seat Options: Stainless Steel

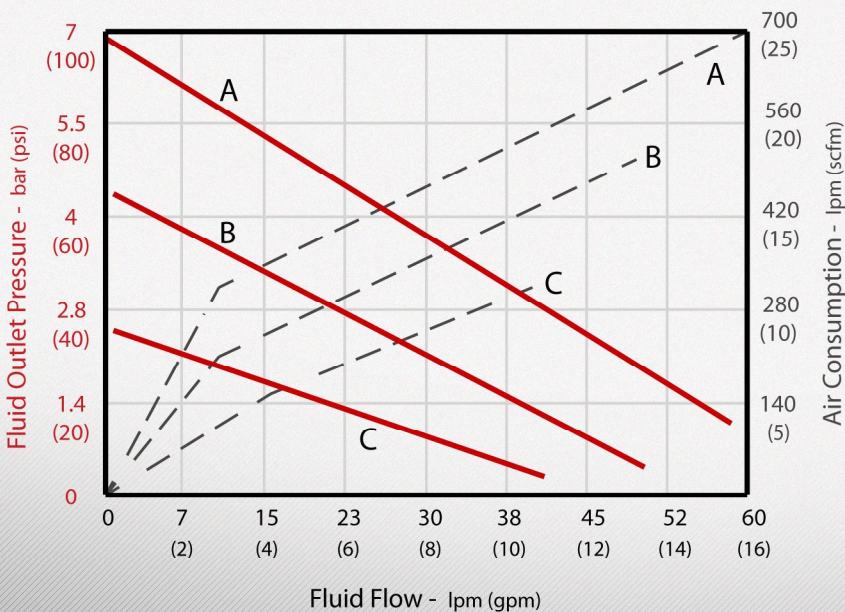
■ Dimensions (mm)



■ Diaphragm Options:

Material	Temperature Limits
PTFE	+4.4 +104.4 °C
Santoprene	-28.9 +104.4 °C
Buna-N	-12.2 +82.2 °C
Viton	-40 +176.7 °C
E.P.D.M.	-51.1 +137.8 °C

■ Performance Curves



- **Test Conditions:** Pump tested with water with inlet submerged using Buna-N diaphragm. If using PTFE diaphragm, capacity decreases by %20.

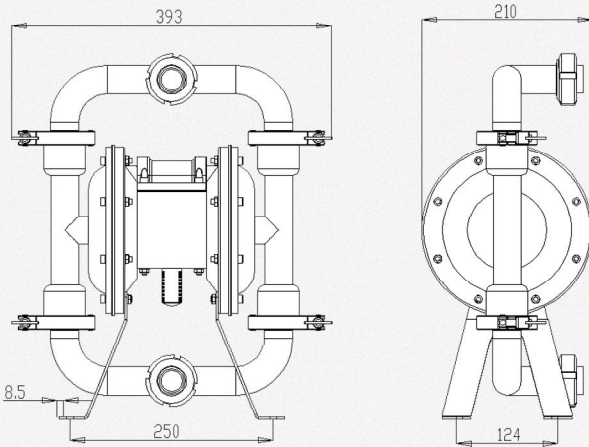
-All the values shown are approximate and not binding.

1" (25.4 MM) STAINLES STEEL BODY PUMP

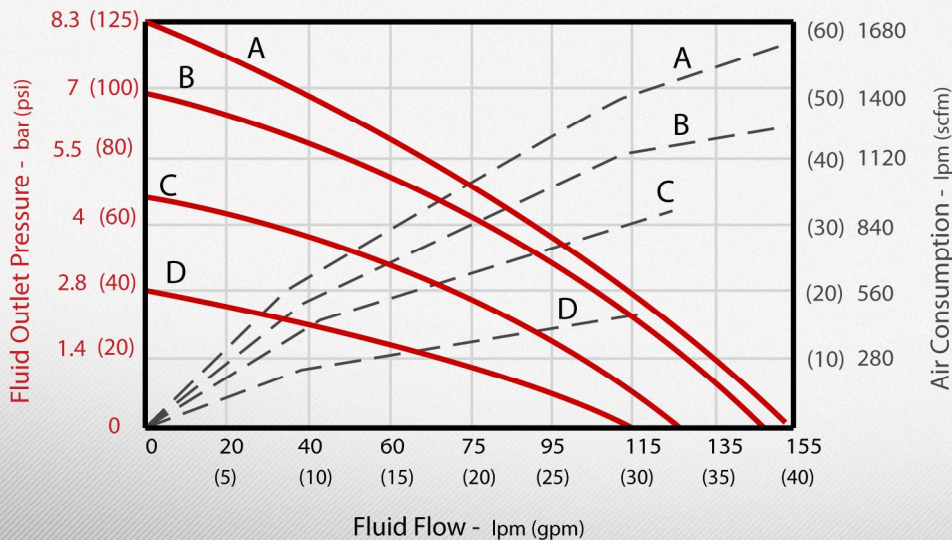


- Maximum Flow Rate : 150 lpm
- Max. Air Consumption: 1500 lpm
- Per Cycle: 0.65 lt
- Fluid Inlet / Outlet Size: 1 inch
- Air Inlet Size: 1/2 inch
- Max. Fluid Working Pressure: 7 bar
- Max. Size Pumpable Solids: 3 mm
- Housing Material Options: Stainless Steel
- Maximum Suction Lift: 5 m
- Weight: 14 kg
- Sound Level (at 5 bar): 78 dBA
- Valve Ball Options: PTFE
- Valve Seat Options: Stainless Steel

■ Dimensions (mm)



■ Performance Curves



A - 8.3 bar (100psi) Air Pressure
 B - 7 bar (100psi) Air Pressure
 C - 4.8 bar (70psi) Air Pressure
 D - 2.8 bar (40psi) Air Pressure

- **Test Conditions:** Pump tested with water with inlet submerged using Buna-N diaphragm. If using PTFE diaphragm, capacity decreases by %20.

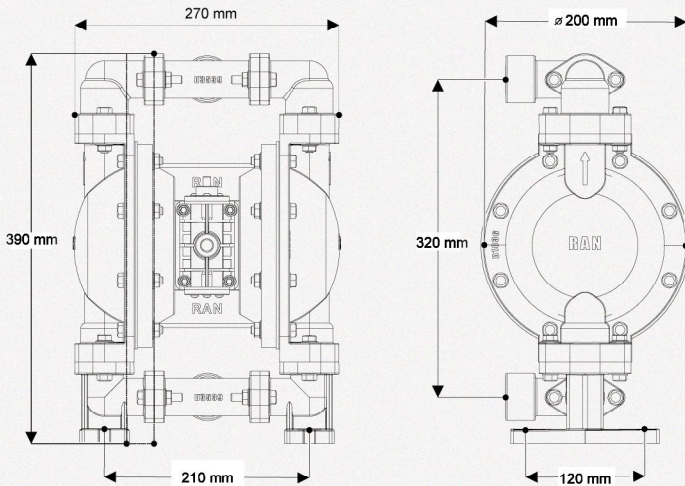
-All the values shown are approximate and not binding.



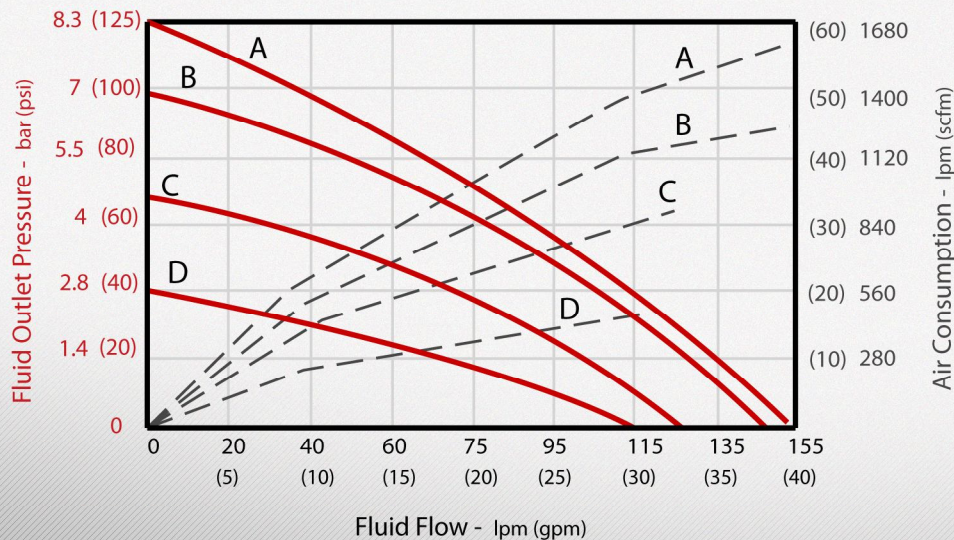
1" (25.4 mm) STAINLESS STEEL BODY PUMP

- Maximum Flow Rate : 150 lpm
- Max. Air Consumption: 1500 lpm
- Per Cycle: 0.65 lt
- Fluid Inlet / Outlet Size: 1 inch
- Air Inlet Size: 1/2 inch
- Max. Fluid Working Pressure: 7 bar
- Max. Size Pumpable Solids: 3 mm
- Housing Material Options: Stainless Steel
- Maximum Suction Lift: 5 m
- Weight: 18 kg
- Sound Level (at 5 bar): 78 dBa
- Valve Ball Options: PTFE
- Valve Seat Options: Stainless Steel

■ Dimensions (mm)



■ Performance Curves



A - 8.3 bar (100psi) Air Pressure
 B - 7 bar (100psi) Air Pressure
 C - 4.8 bar (70psi) Air Pressure
 D - 2.8 bar (40psi) Air Pressure

- **Test Conditions:** Pump tested with water with inlet submerged using Buna-N diaphragm. If using PTFE diaphragm, capacity decreases by %20.

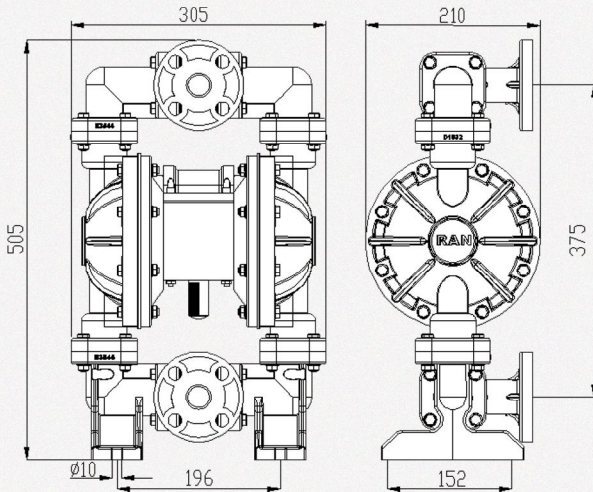
-All the values shown are approximate and not binding.

1" (25.4 MM) PVDF BODY PUMP

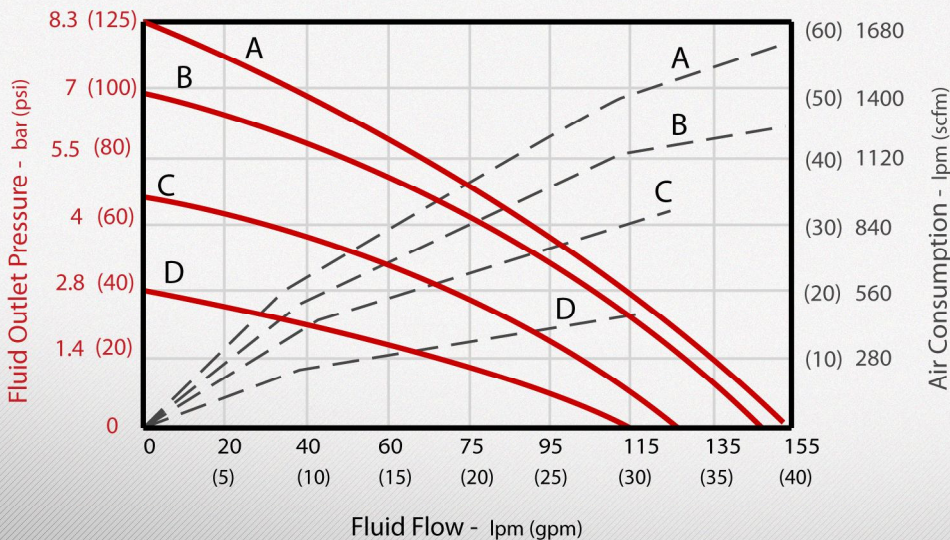


D25-PVX

Dimensions (mm)



Performance Curves



A - 8.3 bar (100psi) Air Pressure
 B - 7 bar (100psi) Air Pressure
 C - 4.8 bar (70psi) Air Pressure
 D - 2.8 bar (40psi) Air Pressure

- **Test Conditions:** Pump tested with water with inlet submerged using Buna-N diaphragm. If using PTFE diaphragm, capacity decreases by %20.

-All the values shown are approximate and not binding.

- Maximum Flow Rate : 150 lpm
- Max. Air Consumption: 1500 lpm
- Per Cycle: 0.65 lt
- Fluid Inlet / Outlet Size: 1 inch
- Air Inlet Size: 3/8 inch
- Max. Fluid Working Pressure: 7 bar
- Max. Size Pumpable Solids: 3 mm
- Housing Material Options: PVDF
- Maximum Suction Lift: 5 m
- Weight: 8 kg
- Sound Level (at 5 bar): 78 dBA
- Valve Ball Options: Santoprene-PE-PTFE
- Valve Seat Options: PE-PTFE

Diaphragm Options:

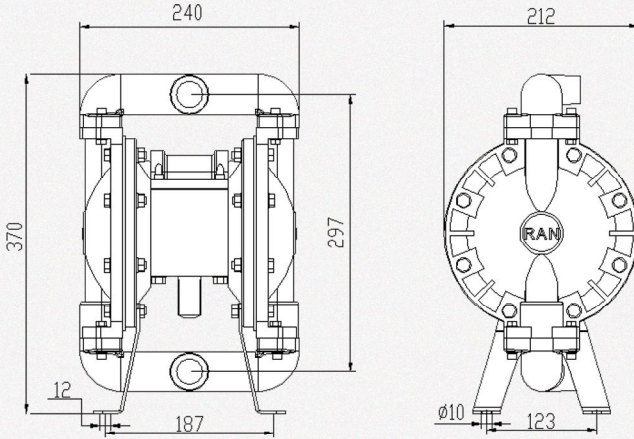
Material	Temperature Limits
PTFE	+4.4 +104.4 °C
Santoprene	-28.9 +104.4 °C
Buna-N	-12.2 +82.2 °C
Viton	-40 +176.7 °C
E.P.D.M.	-51.1 +137.8 °C

1" (25.4 MM) METAL GÖVDELİ POMPA

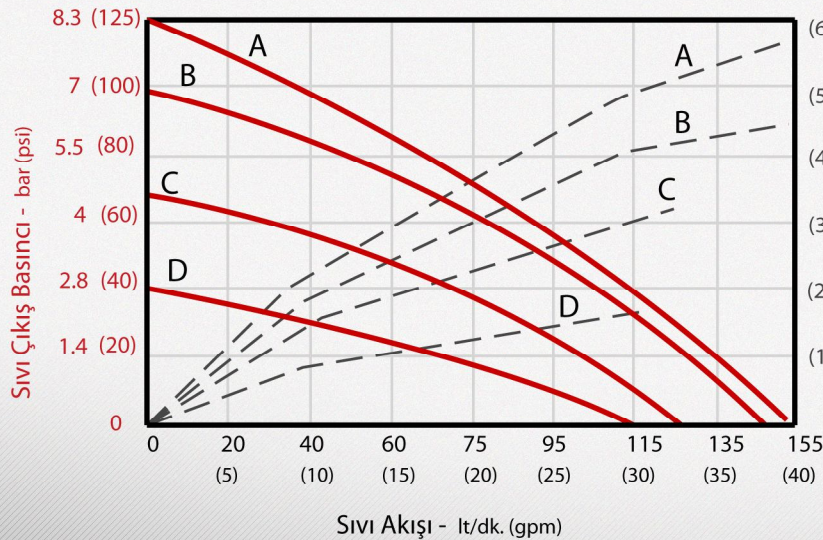
D25-AX



Ölçüler (mm)



Performans Eğrileri



- En Yüksek Kapasite: 150 lt/dk.
- En Yüksek Hava Tüketimi: 1500 lt/dk
- Her Döngüde: 0.65 lt
- Sıvı Giriş / Çıkış Ölçüsü: 1 inç
- Hava Giriş Ölçüsü: 1/2 inç
- En Yüksek Sıvı Çıkış Basıncı: 7 bar
- En Büyük Katı Geçirgenliği: 3 mm
- Gövde Malzemesi Seçenekleri: Alüminyum
- En yüksek Emiş Mesafesi: 5 m
- Ağırlık: 6.8 kg
- Ses Seviyesi (5 barda): 78 dBa
- Valf Top Seçenekleri: Santopren-Delrin-PTFE
- Valf Yatak Seçenekleri: PE-Delrin-PTFE

Diyafram Seçenekleri:

Malzeme:	Sıcaklık Sınırları:
PTFE	+4.4 +104.4 °C
Santoprene	-28.9 +104.4 °C
Buna-N	-12.2 +82.2 °C
Viton	-40 +176.7 °C
E.P.D.M.	-51.1 +137.8 °C

A - 8.3 bar (100psi) Hava Basıncı
 B - 7 bar (100psi) Hava Basıncı
 C - 4.8 bar (70psi) Hava Basıncı
 D - 2.8 bar (40psi) Hava Basıncı

- **Test Şartları:** Pompanın sıvı girişi tamamen suya daldırılarak Buna-N diyaframla test edilmiştir. PTFE diyaframla yapılan transferlerde kapasite %20 düşer.

- Tüm değerler yaklaşık verilmiştir, bağlayıcı değildir.

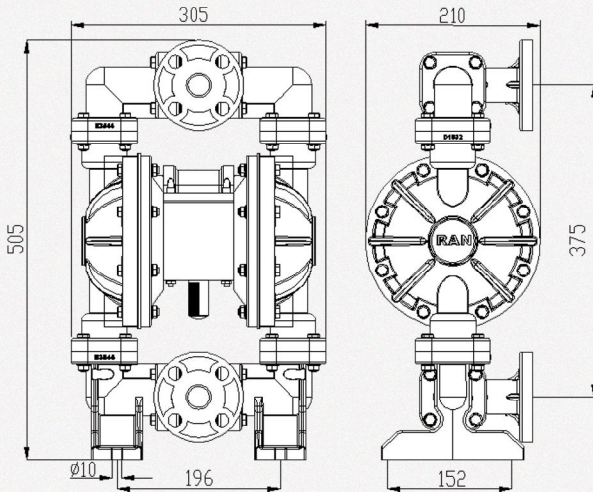
1" (25.4 MM) PLASTIC BODY PUMP



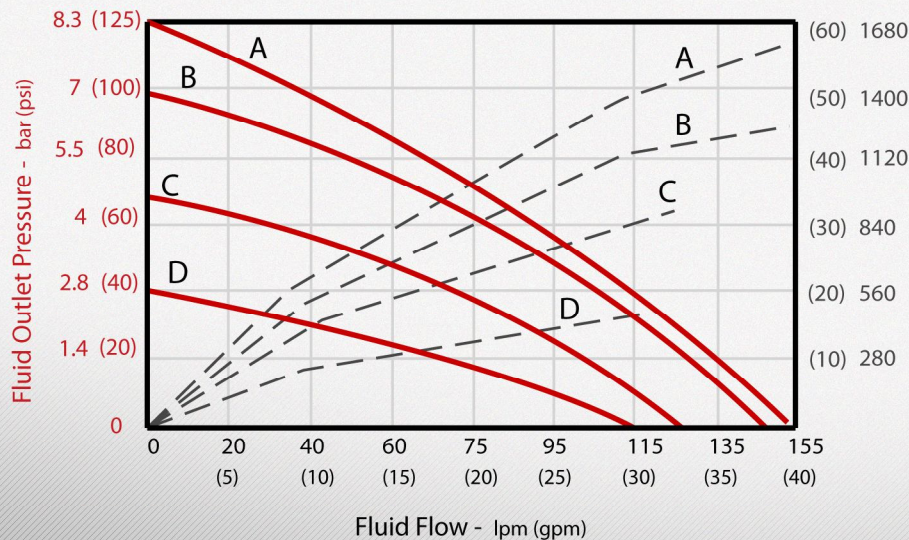
D25-PX

- Maximum Flow Rate : 150 lpm
- Max. Air Consumption: 1500 lpm
- Per Cycle: 0.65 lt
- Fluid Inlet / Outlet Size: 1 inch
- Air Inlet Size: 3/8 inch
- Max. Fluid Working Pressure: 7 bar
- Max. Size Pumpable Solids: 3 mm
- Housing Material Options: Polypropylene - PVDF
- Maximum Suction Lift: 5 m
- Weight: 8 kg
- Sound Level (at 5 bar): 78 dBa
- Valve Ball Options: Santoprene-PE-PTFE
- Valve Seat Options: PE-PTFE

■ Dimensions (mm)



■ Performance Curves



A - 8.3 bar (100psi) Air Pressure
 B - 7 bar (100psi) Air Pressure
 C - 4.8 bar (70psi) Air Pressure
 D - 2.8 bar (40psi) Air Pressure

- **Test Conditions:** Pump tested with water with inlet submerged using Buna-N diaphragm. If using PTFE diaphragm, capacity decreases by %20.

-All the values shown are approximate and not binding.

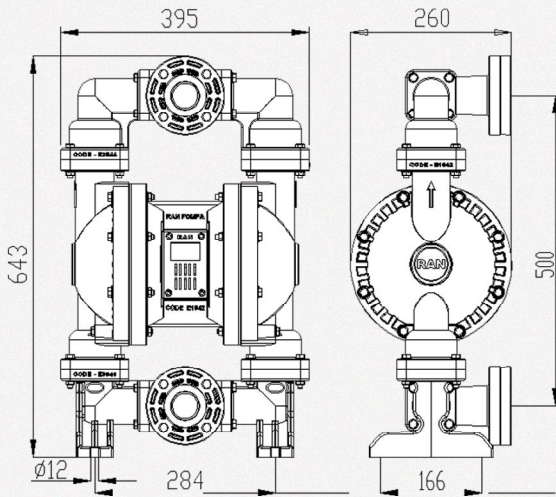
1 1/2" (38.1 MM) PVDF BODY PUMP



E40-PVX

- Maximum Flow Rate : 370 lpm
- Max. Air Consumption: 2000 lpm
- Per Cycle: 1.96 lt
- Fluid Inlet / Outlet Size: 1 1/2 inches
- Air Inlet Size: 1/2 inch
- Max. Fluid Working Pressure: 8 bar
- Max. Size Pumpable Solids: 4.5 mm
- Housing Material Options: Polypropylene
- Maximum Suction Lift: 5.2 m
- Weight: 20 kg
- Sound Level (at 5 bar): 78 dBa
- Valve Ball Options: Santopren-PE-PTFE
- Valve Seat Options: Santopren-PE-PTFE

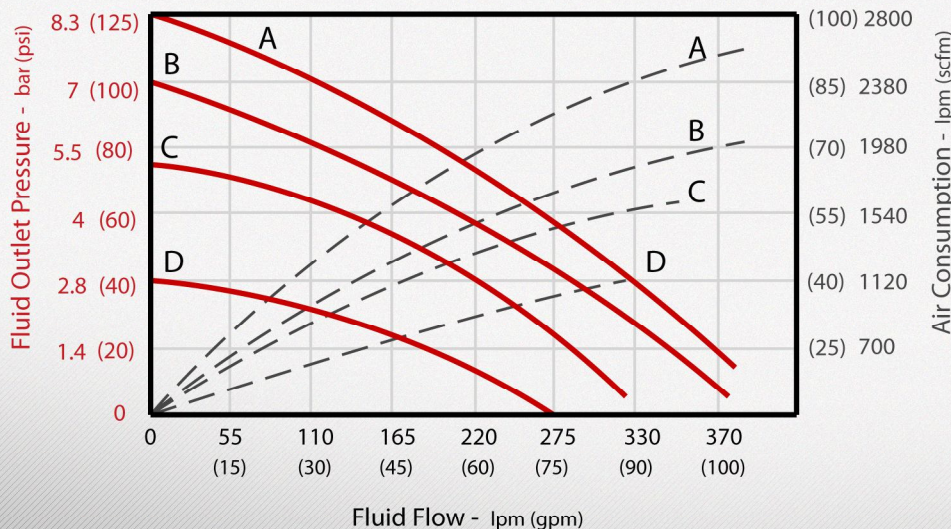
■ Dimensions (mm)



■ Diaphragm Options:

Material	Temperature Limits	
PTFE	+4.4	+104.4 °C
Santoprene	-28.9	+104.4 °C
Buna-N	-12.2	+82.2 °C
Viton	-40	+176.7 °C
E.P.D.M.	-51.1	+137.8 °C

■ Performance Curves



A - 8.3 bar (100psi) Air Pressure
 B - 7 bar (100psi) Air Pressure
 C - 4.8 bar (70psi) Air Pressure
 D - 2.8 bar (40psi) Air Pressure

- **Test Conditions:** Pump tested with water with inlet submerged using Buna-N diaphragm. If using PTFE diaphragm, capacity decreases by %20.

-All the values shown are approximate and not binding.

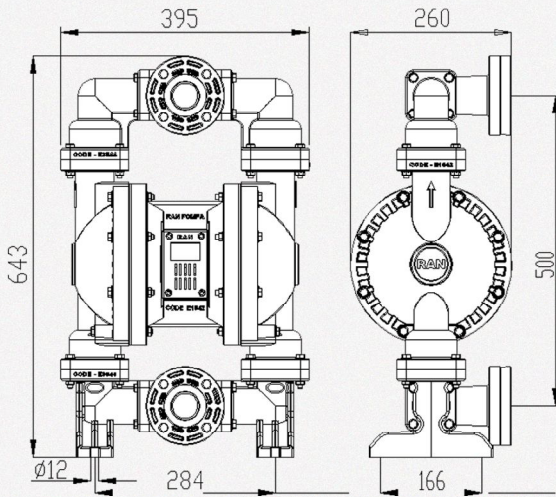
1 1/2" (38.1 MM) PLASTIC BODY PUMP



E40-PX

- Maximum Flow Rate : 370 lpm
- Max. Air Consumption: 2000 lpm
- Per Cycle: 1.96 lt
- Fluid Inlet / Outlet Size: 1 1/2 inches
- Air Inlet Size: 1/2 inch
- Max. Fluid Working Pressure: 8 bar
- Max. Size Pumpable Solids: 4.5 mm
- Housing Material Options: Polypropylene
- Maximum Suction Lift: 5.2 m
- Weight: 18 kg
- Sound Level (at 5 bar): 78 dBa
- Valve Ball Options: Santopren-PE-PTFE
- Valve Seat Options: Santopren-PE-PTFE

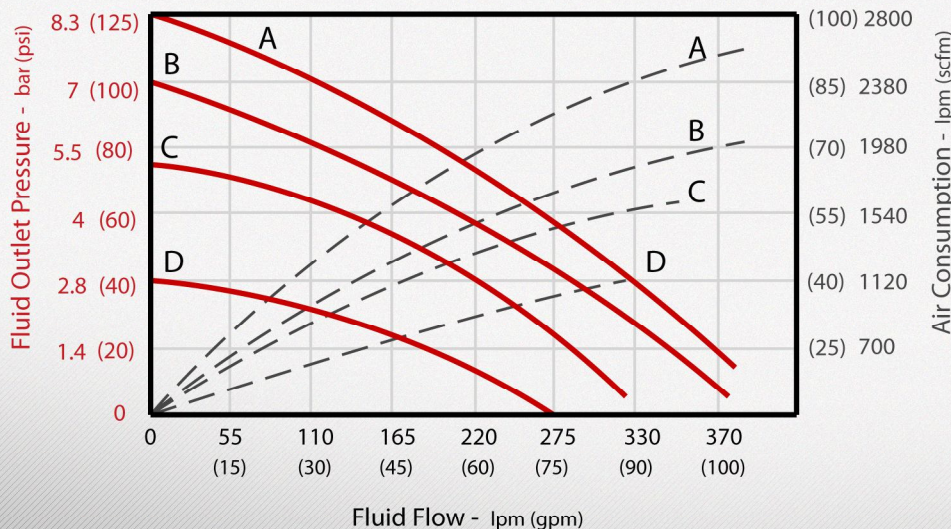
■ Dimensions (mm)



■ Diaphragm Options:

Material	Temperature Limits
PTFE	+4.4 +104.4 °C
Santoprene	-28.9 +104.4 °C
Buna-N	-12.2 +82.2 °C
Viton	-40 +176.7 °C
E.P.D.M.	-51.1 +137.8 °C

■ Performance Curves



A - 8.3 bar (100psi) Air Pressure
 B - 7 bar (100psi) Air Pressure
 C - 4.8 bar (70psi) Air Pressure
 D - 2.8 bar (40psi) Air Pressure

- **Test Conditions:** Pump tested with water with inlet submerged using Buna-N diaphragm. If using PTFE diaphragm, capacity decreases by %20.

-All the values shown are approximate and not binding.

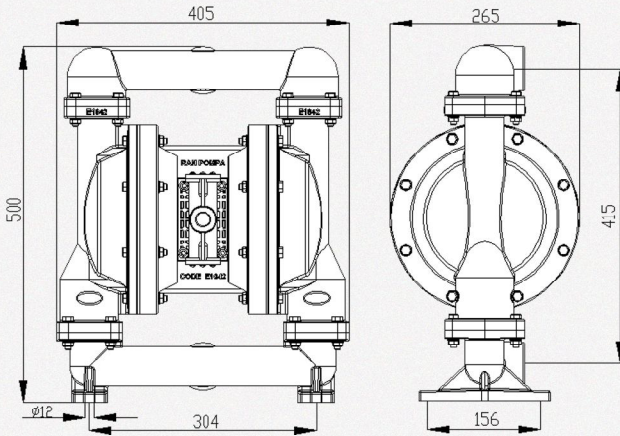
1 1/2" (38.1 MM) METAL BODY PUMP



E40-AX

- Maximum Flow Rate : 370 lpm
- Max. Air Consumption: 2000 lpm
- Per Cycle: 1.96 lt
- Fluid Inlet / Outlet Size: 1 1/2 inches
- Air Inlet Size: 1/2 inch
- Max. Fluid Working Pressure: 8 bar
- Max. Size Pumpable Solids: 4.5 mm
- Housing Material Options: Aluminium - Cast Iron
- Maximum Suction Lift: 5.2 m
- Weight: 18 kg
- Sound Level (at 5 bar): 78 dBa
- Valve Ball Options: Santoprene-PE-Delrin-PTFE
- Valve Seat Options: Santoprene-PE-Delrin-PTFE

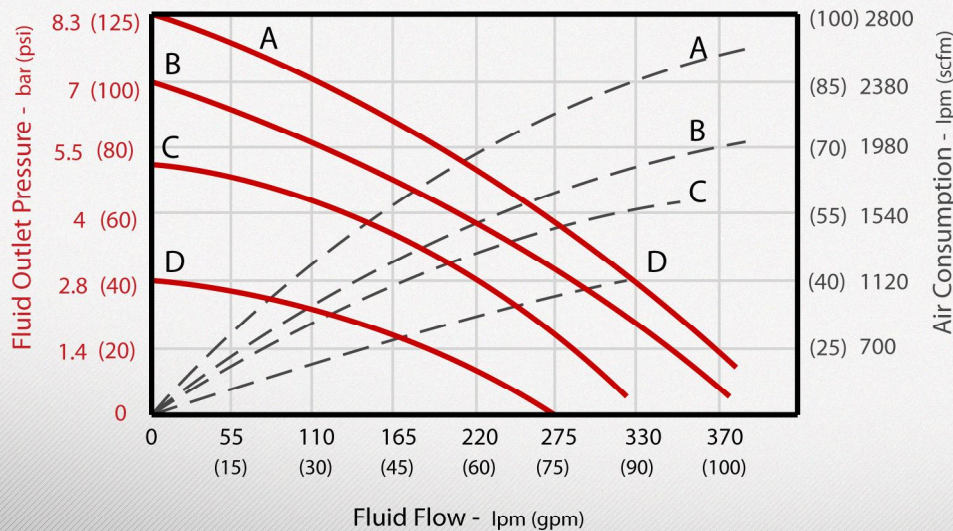
■ Dimensions (mm)



■ Diaphragm Options:

Material	Temperature Limits
PTFE	+4.4 +104.4 °C
Santoprene	-28.9 +104.4 °C
Buna-N	-12.2 +82.2 °C
Viton	-40 +176.7 °C
E.P.D.M.	-51.1 +137.8 °C

■ Performance Curves



A - 8.3 bar (100psi) Air Pressure
 B - 7 bar (100psi) Air Pressure
 C - 4.8 bar (70psi) Air Pressure
 D - 2.8 bar (40psi) Air Pressure

- **Test Conditions:** Pump tested with water with inlet submerged using Buna-N diaphragm. If using PTFE diaphragm, capacity decreases by %20.

-All the values shown are approximate and not binding.

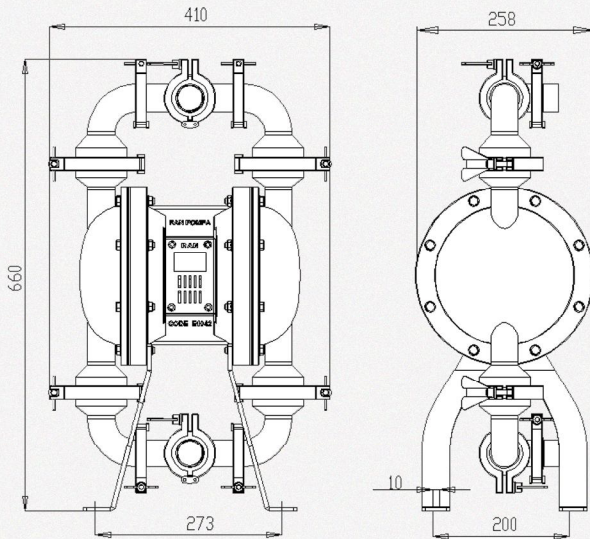
1 1/2" (38.1 MM) STAINLESS STEEL BODY PUMP



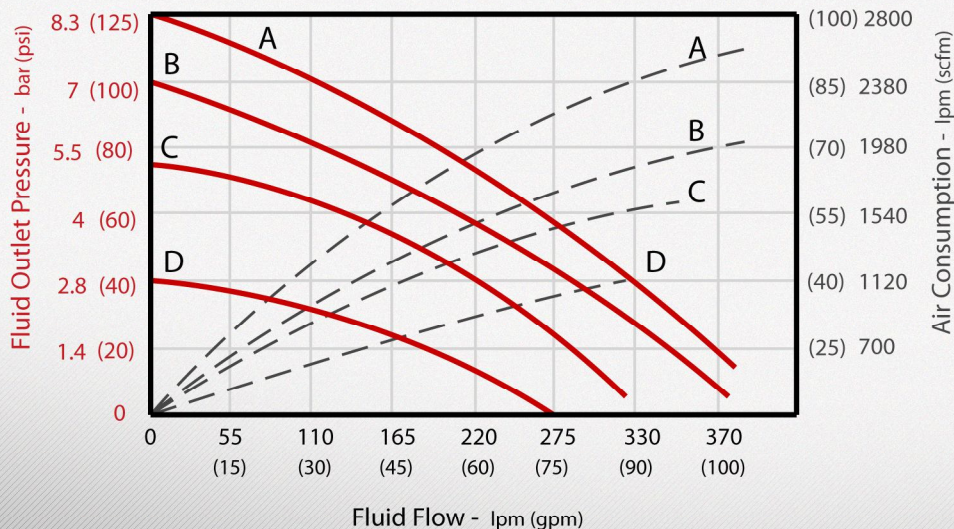
E40-SX

- Maximum Flow Rate : 370 lpm
- Max. Air Consumption: 2000 lpm
- Per Cycle: 1.96 lt
- Fluid Inlet / Outlet Size: 1 1/2 inches
- Air Inlet Size: 1/2 inch
- Max. Fluid Working Pressure: 8 bar
- Max. Size Pumpable Solids: 4.5 mm
- Housing Material Options: Stainless Steel
- Maximum Suction Lift: 5.2 m
- Weight: 24 kg
- Sound Level (at 5 bar): 78 dBa
- Valve Ball Options: PTFE
- Valve Seat Options: Stainless Steel

■ Dimensions (mm)



■ Performance Curves



A - 8.3 bar (100psi) Air Pressure
 B - 7 bar (100psi) Air Pressure
 C - 4.8 bar (70psi) Air Pressure
 D - 2.8 bar (40psi) Air Pressure

- **Test Conditions:** Pump tested with water with inlet submerged using Buna-N diaphragm. If using PTFE diaphragm, capacity decreases by %20.

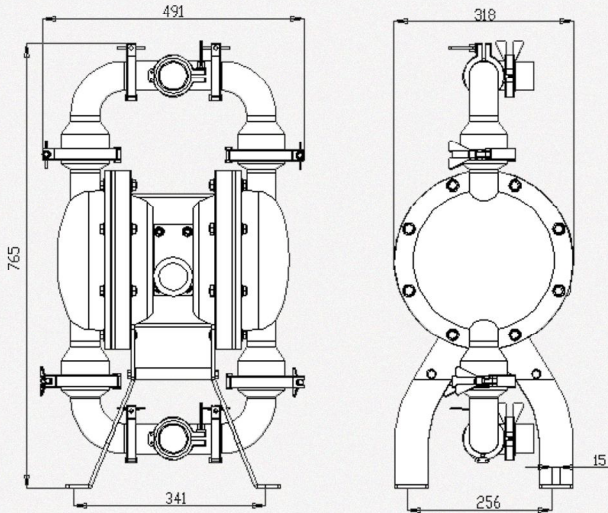
-All the values shown are approximate and not binding.



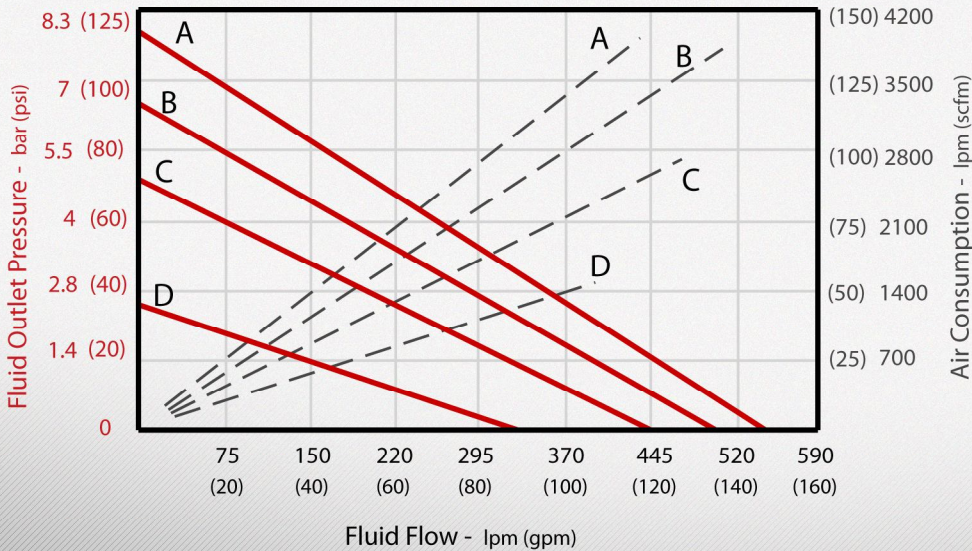
2" (50.8 MM) STAINLESS STEEL BODY PUMP

- Maximum Flow Rate : 550 lpm
- Max. Air Consumption: 2500 lpm
- Per Cycle: 3.97 lt
- Fluid Inlet / Outlet Size: 2 inches
- Air Inlet Size: 3/4 inch
- Max. Fluid Working Pressure: 8 bar
- Max. Size Pumpable Solids: 6.2 mm
- Housing Material Options: Stainless Steel
- Maximum Suction Lift: 5.6 m
- Weight: 31 kg
- Sound Level (at 5 bar): 78 dBa
- Valve Ball Options: PTFE
- Valve Seat Options: Stainless Steel

■ Dimensions (mm)



■ Performance Curves



A - 8.3 bar (100psi) Air Pressure
 B - 7 bar (100psi) Air Pressure
 C - 4.8 bar (70psi) Air Pressure
 D - 2.8 bar (40psi) Air Pressure

- **Test Conditions:** Pump tested with water with inlet submerged using Buna-N diaphragm. If using PTFE diaphragm, capacity decreases by %20.

-All the values shown are approximate and not binding.

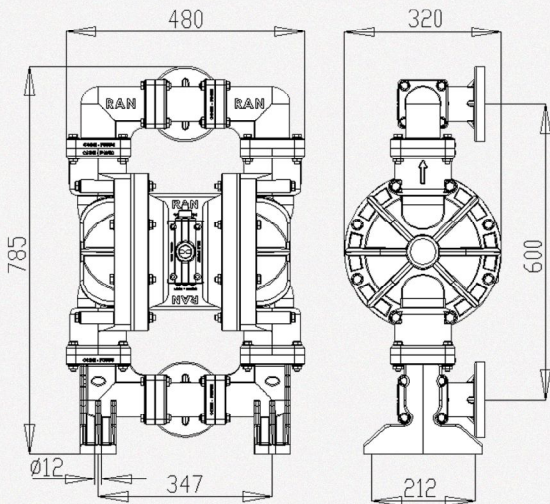
2" (50.8 MM) PLASTIC BODY PUMP



F50-PX

- Maximum Flow Rate : 550 lpm
- Max. Air Consumption: 2500 lpm
- Per Cycle: 3.97 lt
- Fluid Inlet / Outlet Size: 2 inches
- Air Inlet Size: 3/4 inch
- Max. Fluid Working Pressure: 8 bar
- Max. Size Pumpable Solids: 6.2 mm
- Housing Material Options: Polypropylene
- Maximum Suction Lift: 5.6 m
- Weight: 30 kg
- Sound Level (at 5 bar): 78 dBa
- Valve Ball Options: Santoprene-BunaN-PTFE
- Valve Seat Options: Santoprene-PE-PTFE

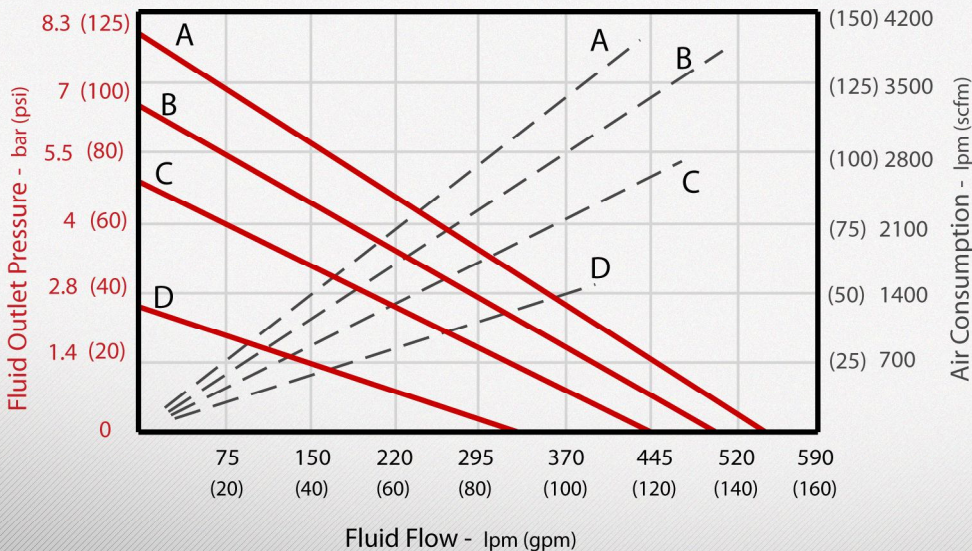
■ Dimensions (mm)



■ Diaphragm Options:

Material	Temperature Limits	
PTFE	+4.4	+104.4 °C
Santoprene	-28.9	+104.4 °C
Buna-N	-12.2	+82.2 °C
Viton	-40	+176.7 °C
E.P.D.M.	-51.1	+137.8 °C

■ Performance Curves



A - 8.3 bar (100psi) Air Pressure
 B - 7 bar (100psi) Air Pressure
 C - 4.8 bar (70psi) Air Pressure
 D - 2.8 bar (40psi) Air Pressure

- **Test Conditions:** Pump tested with water with inlet submerged using Buna-N diaphragm. If using PTFE diaphragm, capacity decreases by %20.

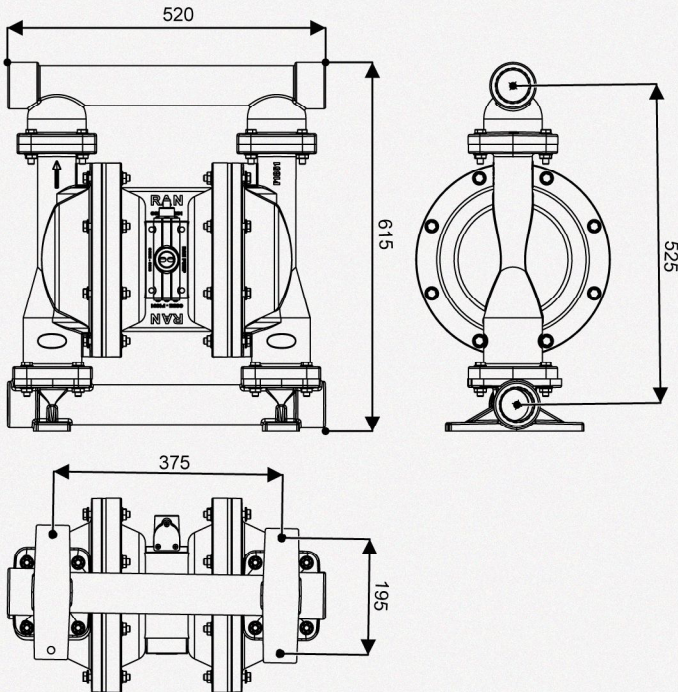
-All the values shown are approximate and not binding.

2" (50.8 MM) METAL BODY PUMP (SIDE OUTLET)

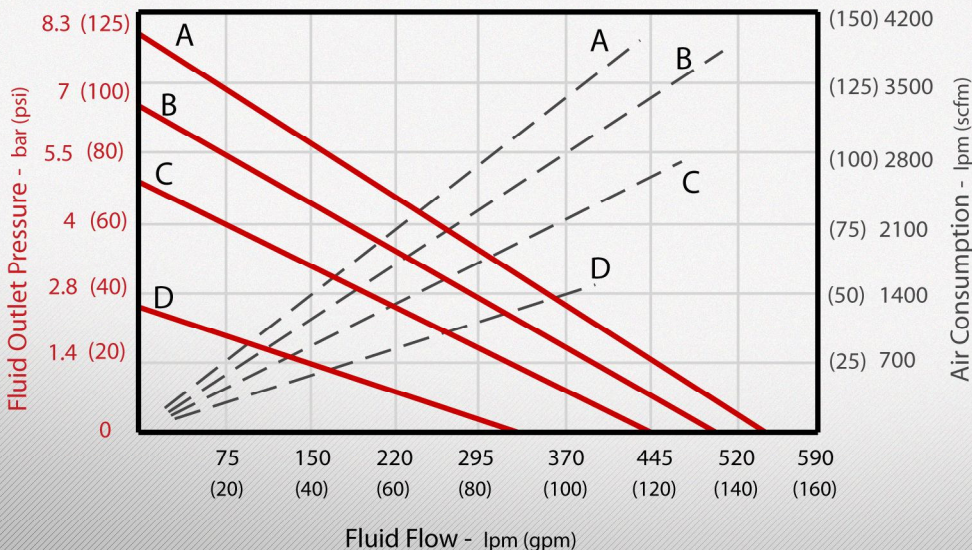


F50-AX-S

■ Dimensions (mm)



■ Performance Curves



A - 8.3 bar (100psi) Air Pressure
 B - 7 bar (100psi) Air Pressure
 C - 4.8 bar (70psi) Air Pressure
 D - 2.8 bar (40psi) Air Pressure

- **Test Conditions:** Pump tested with water with inlet submerged using Buna-N diaphragm. If using PTFE diaphragm, capacity decreases by %20.

-All the values shown are approximate and not binding.

- Maximum Flow Rate : 550 lpm
- Max. Air Consumption: 2500 lpm
- Per Cycle: 3.97 lt
- Fluid Inlet / Outlet Size: 2 inches
- Air Inlet Size: 1/2 inch
- Max. Fluid Working Pressure: 8 bar
- Max. Size Pumpable Solids: 6.2 mm
- Housing Material Options: Aluminium - Cast Iron
- Maximum Suction Lift: 5.6 m
- Weight: 31 kg
- Sound Level (at 5 bar): 78 dBa
- Valve Ball Options: Santoprene-PE-Delrin-PTFE
- Valve Seat Options: Santoprene-PE-Delrin-PTFE

■ Diaphragm Options:

Material	Temperature Limits
PTFE	+4.4 +104.4 °C
Santoprene	-28.9 +104.4 °C
Buna-N	-12.2 +82.2 °C
Viton	-40 +176.7 °C
E.P.D.M.	-51.1 +137.8 °C

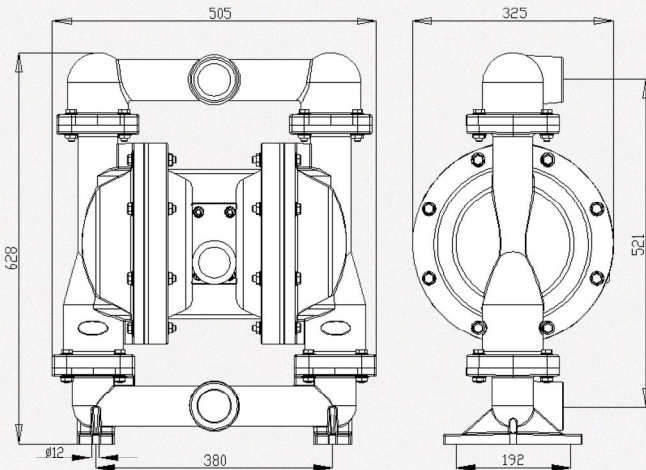
2" (50.8 MM) METAL BODY PUMP



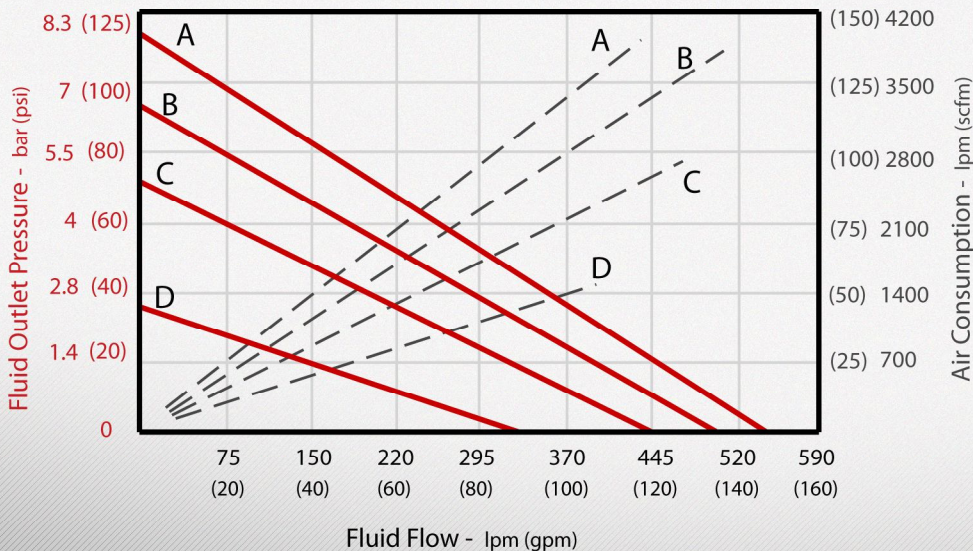
F50-AX

- Maximum Flow Rate : 550 lpm
- Max. Air Consumption: 2500 lpm
- Per Cycle: 3.97 lt
- Fluid Inlet / Outlet Size: 2 inches
- Air Inlet Size: 3/4 inch
- Max. Fluid Working Pressure: 8 bar
- Max. Size Pumpable Solids: 6.2 mm
- Housing Material Options: Aluminium - Cast Iron
- Maximum Suction Lift: 5.6 m
- Weight: 31 kg
- Sound Level (at 5 bar): 78 dBa
- Valve Ball Options: Santoprene-PE-Delrin-PTFE
- Valve Seat Options: Santoprene-PE-Delrin-PTFE

■ Dimensions (mm)



■ Performance Curves



A - 8.3 bar (100psi) Air Pressure
 B - 7 bar (100psi) Air Pressure
 C - 4.8 bar (70psi) Air Pressure
 D - 2.8 bar (40psi) Air Pressure

- **Test Conditions:** Pump tested with water with inlet submerged using Buna-N diaphragm. If using PTFE diaphragm, capacity decreases by %20.

-All the values shown are approximate and not binding.

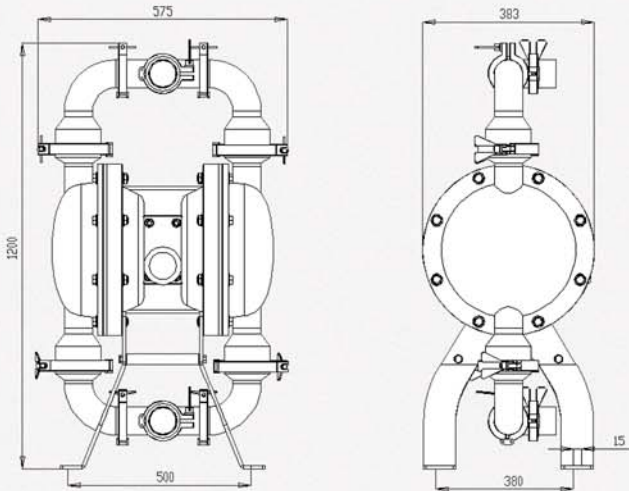
G80-SX



3" (76.2 MM) STAINLESS STEEL BODY PUMP

- Maximum Flow Rate : 907 lpm
- Max. Air Consumption: 4700 lpm
- Per Cycle: 7.6 lt
- Fluid Inlet / Outlet Size: 3 inches
- Air Inlet Size: 3/4 inch
- Max. Fluid Working Pressure: 8 bar
- Max. Size Pumpable Solids: 9.5 mm
- Housing Material Options: Stainless Steel
- Maximum Suction Lift: 6.3 m
- Weight: 70 kg
- Sound Level (at 5 bar): 78 dBa
- Valve Ball Options: PTFE
- Valve Seat Options: PTFE

■ Dimensions (mm)



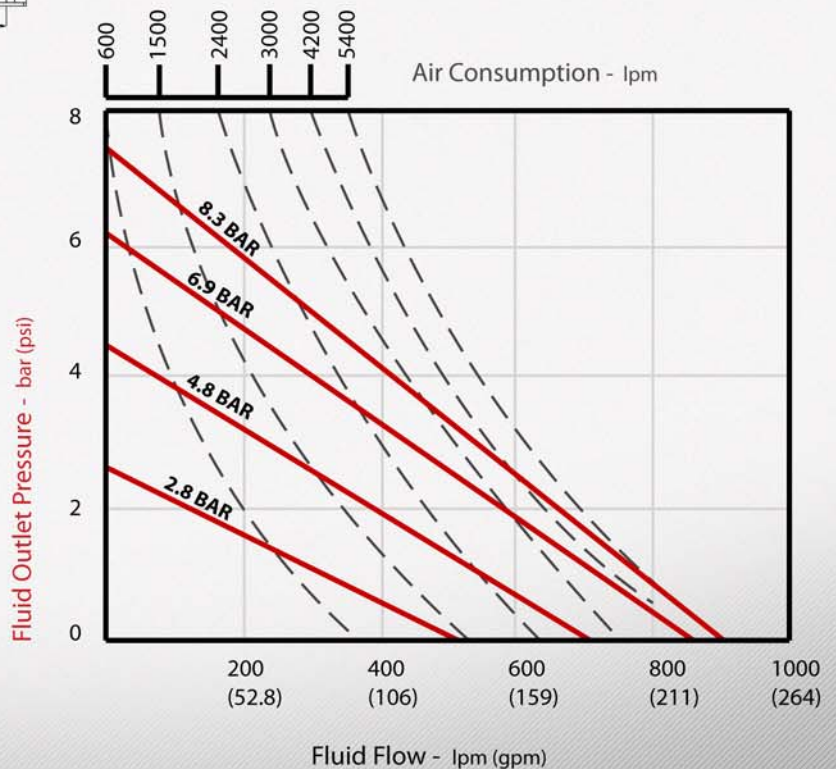
■ Diaphragm Options:

Material	Temperature Limits
PTFE	+4.4 +104.4 °C
Santoprene	-28.9 +104.4 °C
Buna-N	-12.2 +82.2 °C
Viton	-40 +176.7 °C
E.P.D.M.	-51.1 +137.8 °C

- **Test Conditions:** Pump tested with water with inlet submerged using Buna-N diaphragm. If using PTFE diaphragm, capacity decreases by %20.

-All the values shown are approximate and not binding.

■ Performance Curves

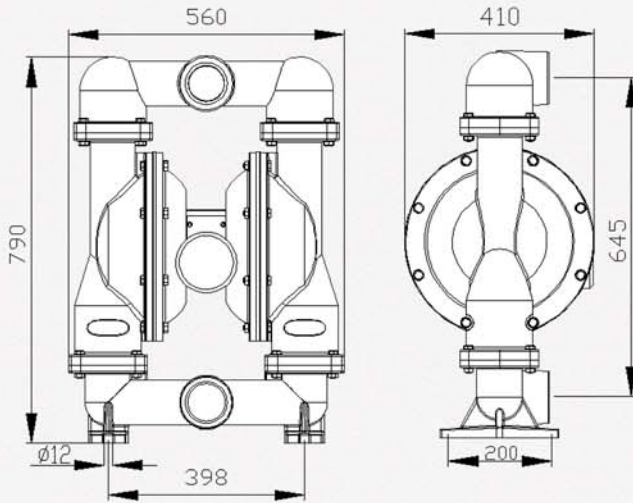


3" (76.2 MM) METAL BODY PUMP

G80-AX



■ Dimensions (mm)



■ Diaphragm Options:

Material	Temperature Limits
PTFE	+4.4 +104.4 °C
Santoprene	-28.9 +104.4 °C
Buna-N	-12.2 +82.2 °C
Viton	-40 +176.7 °C
E.P.D.M.	-51.1 +137.8 °C

- **Test Conditions:** Pump tested with water with inlet submerged using Buna-N diaphragm. If using PTFE diaphragm, capacity decreases by %20.

-All the values shown are approximate and not binding.

- Maximum Flow Rate : 907 lpm
- Max. Air Consumption: 4700 lpm
- Per Cycle: 7.6 lt
- Fluid Inlet / Outlet Size: 3 inches
- Air Inlet Size: 3/4 inch
- Max. Fluid Working Pressure: 8 bar
- Max. Size Pumpable Solids: 9.5 mm
- Housing Material Options: Aluminium - Cast Iron
- Maximum Suction Lift: 6.3 m
- Weight: 55 kg
- Sound Level (at 5 bar): 78 dBa
- Valve Ball Options: Santoprene-PE-Delrin-PTFE
- Valve Seat Options: Santoprene-PE-Delrin-PTFE

■ Performance Curves

