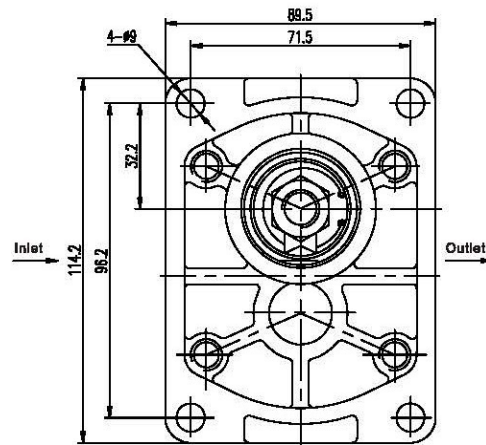
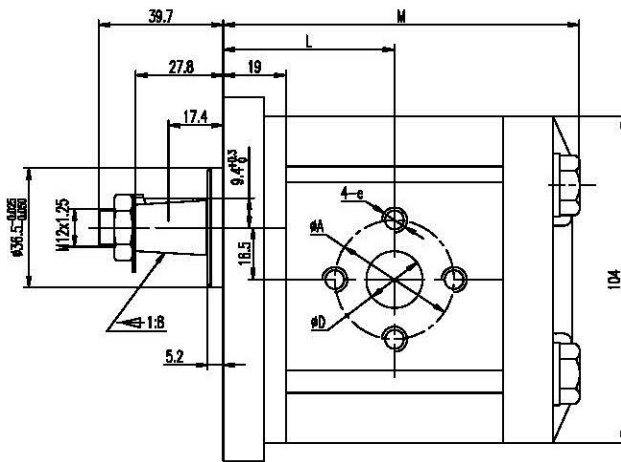
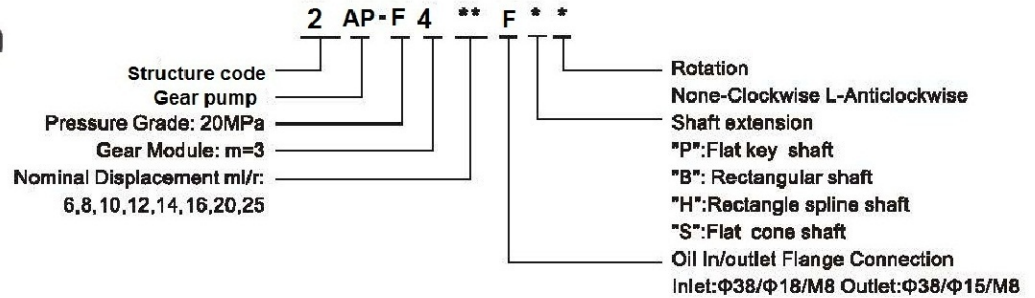
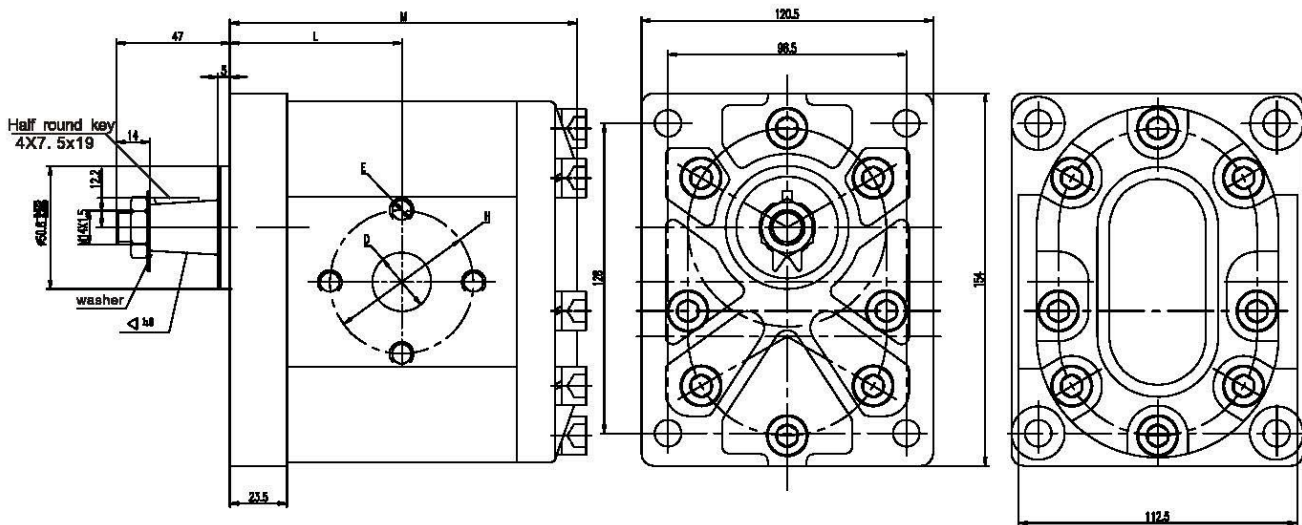
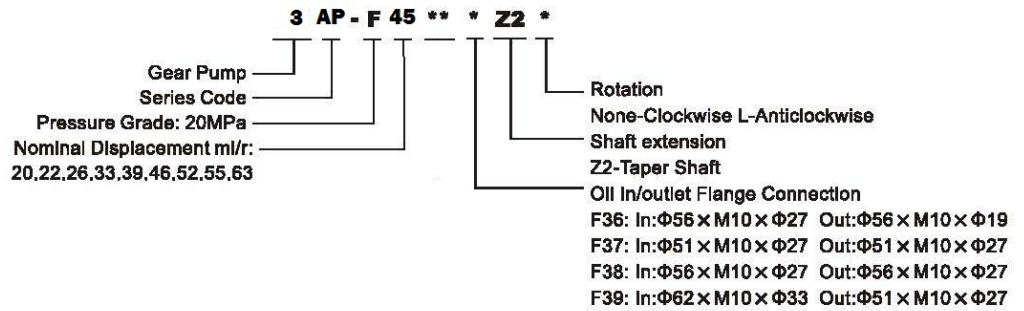


2 A P F SERIES GEAR PUMP

Rexport



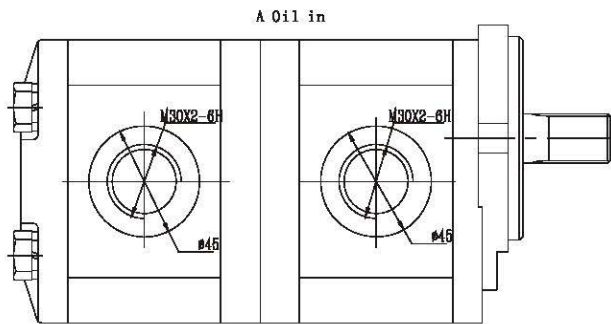
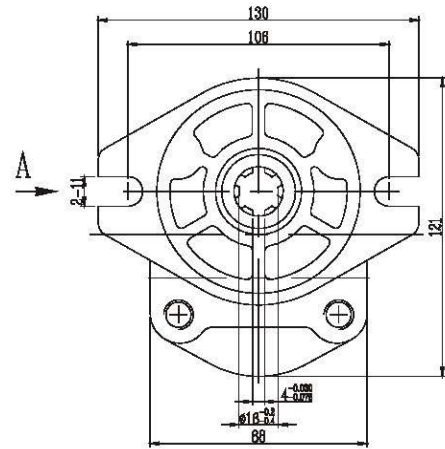
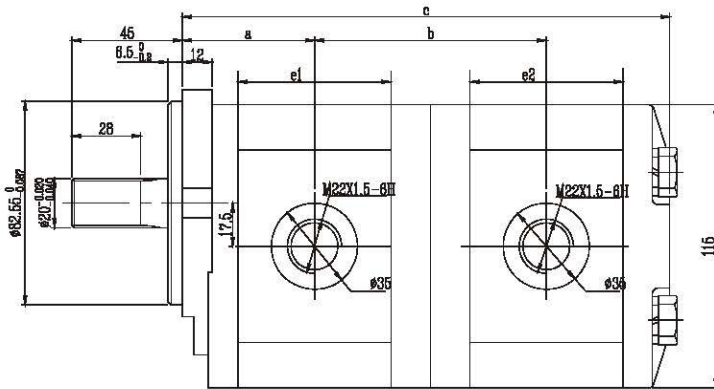
Model	Disp.(Ml/r)	Pressure(MPa)		Speed (r/min)			A(mm)	B(mm)
		Rated	Max.	Rated	Max.	Min.		
2 A P F 6 ***	6	20	25	2000	3000	600	47	103
2 A P F 8 ***	8	20	25	2000	3000	600	49	106.5
2 A P F 10 ***	10	20	25	2000	3000	600	50	109
2 A P F 12 ***	12	20	25	2000	3000	600	52	113
2 A P F 14 ***	14	20	25	2000	3000	600	53	115
2 A P F 16 ***	16	20	25	2000	3000	600	54.5	118
2 A P F 20 ***	20	20	25	2000	3000	600	58	125
2 A P F 25 ***	25	20	25	2000	3000	600	62	133



Model	Disp. (Ml/r)	Pressure(Mpa)		Max.Speed (r/min)	M	L	Inlet		Outlet		E
		Rated	Max.				D	H	D	H	
3 A P F 20 ***	20	20	25	3000	119	58.75	27	56	19	56	M10
3 A P F 22 ***	22	20	25	3000	120	59.25	27	56	19	56	M10
3 A P F 26 ***	26	20	25	3000	123.5	61	27	56	19	56	M10
3 A P F 33 ***	33	20	25	3000	128.5	63.5	27	56	19	56	M10
3 A P F 39 ***	39	20	25	3000	132.5	65.5	27	56	19	56	M10
3 A P F 46 ***	46	20	25	3000	138	68.25	27	51	27	51	M10
3 A P F 52 ***	52	20	25	3000	141.5	70	27	56	27	56	M10
3 A P F 55 ***	55	20	25	3000	143	70.25	33	62	27	51	M10
3 A P F 63 ***	63	20	25	3000	149.5	74	33	62	27	51	M10

3 A D P F SERIES DOUBLE GEAR PUMP

Rexport



Disp.(Ml/r)	Pressure(Mpa)		Speed(r/min)		e1	e2	a	b	C
	Rated	Max.	Rated	Max.					
10	20	25	2000	3000	62.1	22.55+e1/2	32+e1/2 +e2/2	73.7+e1+e2	
16	20	25	2000	3000	68.1	22.55+e1/2	32+e1/2 +e2/2	73.7+e1+e2	
25	20	25	2000	3000	78.1	22.55+e1/2	32+e1/2 +e2/2	73.7+e1+e2	
26.5	20	25	2000	3000	80.1	22.55+e1/2	32+e1/2 +e2/2	73.7+e1+e2	
30	20	25	2000	3000	84.1	22.55+e1/2	32+e1/2 +e2/2	73.7+e1+e2	
32	20	25	2000	3000	87.1	22.55+e1/2	32+e1/2 +e2/2	73.7+e1+e2	
40	20	25	2000	3000	96.1	22.55+e1/2	32+e1/2 +e2/2	73.7+e1+e2	