

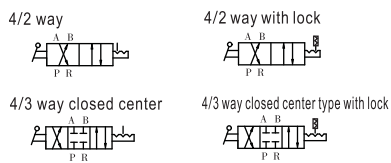
Hand lever valve (4/3, 4/2 way)



4HV, 4HVL Series



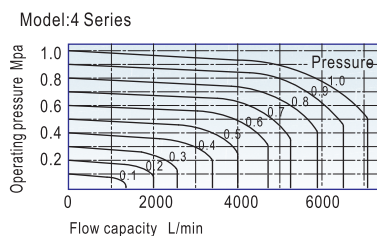
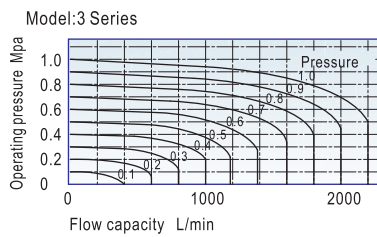
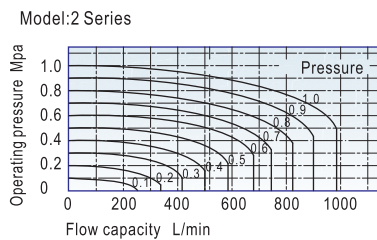
Symbol



Product feature

1. The direction-change turns lightly with good hand feeling and exact orientation.
2. Large effective circulating area leads to little pressure loss.
3. Panel and body installation are optional. The panel installation can be attached with installing nut.

Flow chart



Specification

Model	4HV2□□ -06(L)	4HV2□□ -08(L)	4HV3□□ -08(L)	4HV3□□ -10(L)	4HV4□□ -15(L)	4HV4□□ -20(L)
Fluid	Air (to be filtered by 40 μm filter element)					
Operating	Manual control direct acting type					
Port size ^①	1/8"	1/4"	1/4"	3/8"	1/2"	3/4"
Orifice size	14.0mm ² (Cv=0.76)	16.0mm ² (Cv=0.89)	30.0mm ² (Cv=1.67)	33.0mm ² (Cv=1.83)	88.0mm ² (Cv=4.89)	95.0mm ² (Cv=5.27)
Valve type	4/2 Way 4/3 Way					
Lubrication	Not required					
Pressure range	0~1.0MPa(0~145psi)					
Proof pressure	1.5MPa(215psi)					
Temperature	-20~70°C					
Operating angle	90°(4/3 Way:45°)					

① PT thread, NPT thread and G thread are available.

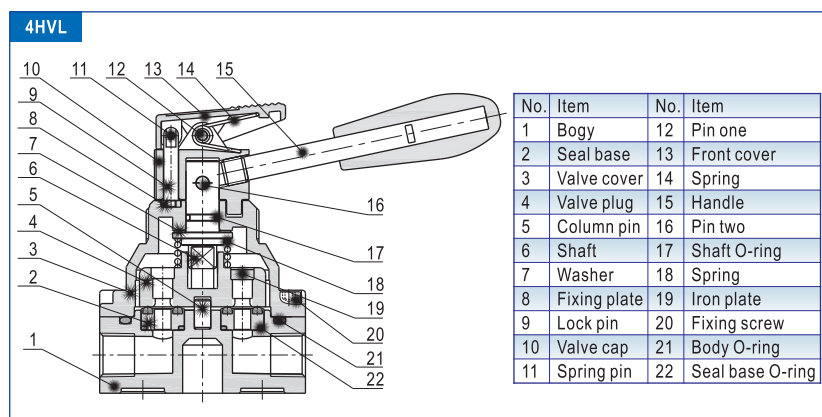
Ordering code

4HV 2 30 06 S L P

- Model**: 4HV: Hand lever valve
- Code**: 2: 200 Series, 3: 300 Series, 4: 400 Series
- Valve type**: 10: 4 port 2 position, 30: 4 port 3 position ①
- Port size**: Code 06: 1/8", 08: 1/4", 10: 3/8", 15: 1/2", 20: 3/4"
- Thread type**: P: PT, T: NPT, G: G
- Note**: Blank: Without lock, L: With lock
- Installation**: Blank: Body installation, S: Panel installation ②

① 4 port 3 position only has closed center type.
② The panel installation can be attached with installing nut.

Inner structure



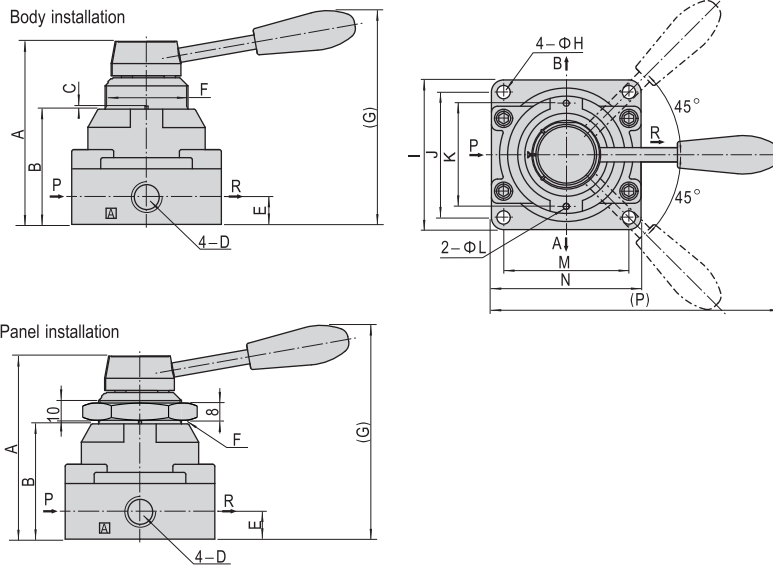
Hand lever valve (4/3, 4/2 way)



4HV, 4HVL Series

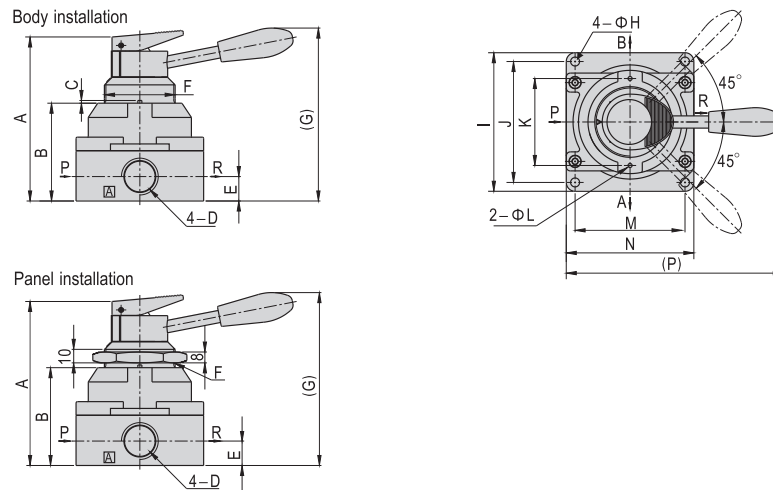
■ Dimensions

4HV Series



Model\Item	A	B	C	D	E	F	G	H	I	J	K	L	M	N	P
4HV2□□-06	73	45	1.5	1/8"	11.5	M34×1.5	92.5	5.5	62	49	40	3	49	62	120
4HV2□□-08	73	45	1.5	1/4"	11.5	M34×1.5	92.5	5.5	62	49	40	3	49	62	120
4HV3□□-08	88.5	56	1.5	1/4"	13.5	M40×1.5	104	6.5	74	62	51	3	62	74	140
4HV3□□-10	88.5	56	1.5	3/8"	13.5	M40×1.5	104	6.5	74	62	51	3	62	74	140
4HV4□□-15	110	72	2	1/2"	18	M52×1.5	128	6.5	102	89	64	3	81	94	160
4HV4□□-20	110	72	2	3/4"	18	M52×1.5	128	6.5	102	89	64	3	81	94	160

4HVL Series



Model\Item	A	B	C	D	E	F	G	H	I	J	K	L	M	N	P
4HV2□□-06L	84	45	1.5	1/8"	11.5	M34×1.5	92.5	5.5	62	49	40	3	49	62	120
4HV2□□-08L	84	45	1.5	1/4"	11.5	M34×1.5	92.5	5.5	62	49	40	3	49	62	120
4HV3□□-08L	99	56	1.5	1/4"	13.5	M40×1.5	104	6.5	74	62	51	3	62	74	140
4HV3□□-10L	99	56	1.5	3/8"	13.5	M40×1.5	104	6.5	74	62	51	3	62	74	140
4HV4□□-15L	121	72	2	1/2"	18	M52×1.5	128	6.5	102	89	64	3	81	94	160
4HV4□□-20L	121	72	2	3/4"	18	M52×1.5	128	6.5	102	89	64	3	81	94	160

