

**ELETTROPOMPE VERTICALI MULTISTADIO ACCIAIO INOX - VERTICAL MULTISTAGE STAINLESS STEEL PUMPS**

**APPLICAZIONI**

Elettropompe universali per applicazioni civili ed industriali, per impianti di lavaggio ad alta pressione, per l'irrigazione, l'agricoltura, impianti sportivi, per fontane e per movimentazione di liquidi moderatamente aggressivi privi di sostanze solide o abrasive.

**LIMITI D'IMPIEGO**

- Temperatura liquido fino a 35°C (per un uso domestico secondo EN 60335-2-41)
- Temperatura max. liquido: 110°C (per altri impieghi)
- Temperatura ambiente fino a 40° C

**MOTORE**

- Monofase 230V-50Hz
- Trifase 230/400V-50Hz
- Motore elettrico ad induzione a 2 poli (n = 2900 min<sup>-1</sup>)
- Isolamento Classe F
- Protezione IP 55

**MATERIALI**

- Corpo aspirazione Acciaio Inox AISI 304
- Corpo mandata Acciaio Inox AISI 304
- Girante Acciaio Inox AISI 304
- Camicia pompa Acciaio Inox AISI 304
- Coperchio superiore Acciaio Inox AISI 304
- Coperchio inferiore Acciaio Inox AISI 304
- Albero motore Acciaio Inox AISI 304
- Tenute meccaniche Silicio/Silicio/Viton

**OPERATING CONDITIONS**

- Liquid temperature up to 35°C (for home use according to EN 60335-2-41)
- Temperature max. liquid: 110°C (for other uses)
- Ambient temperature max to 40°C

**MOTOR**

- Single-phase 230V-50Hz
- Three-phase 230/400V-50Hz
- Two-pole electric standard motor (n = 2900 min<sup>-1</sup>)
- Insulation Class F
- Protection IP 55

**MATERIALS**

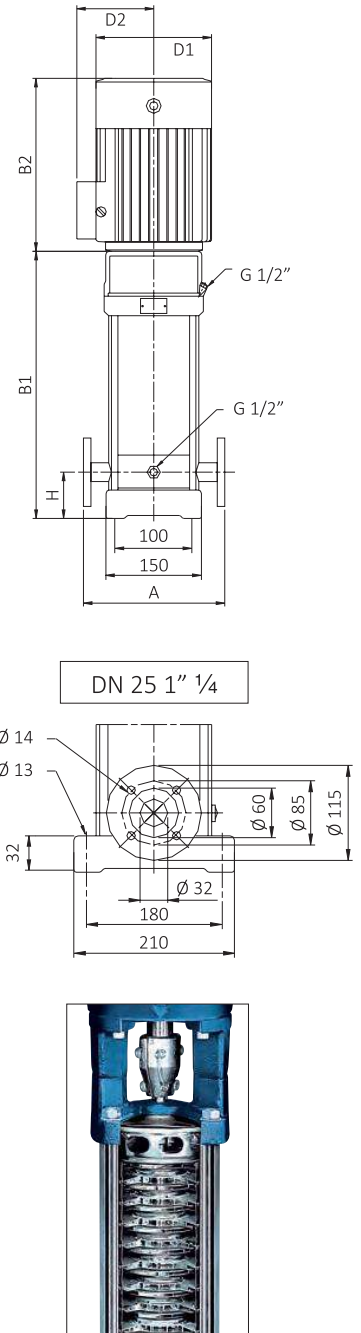
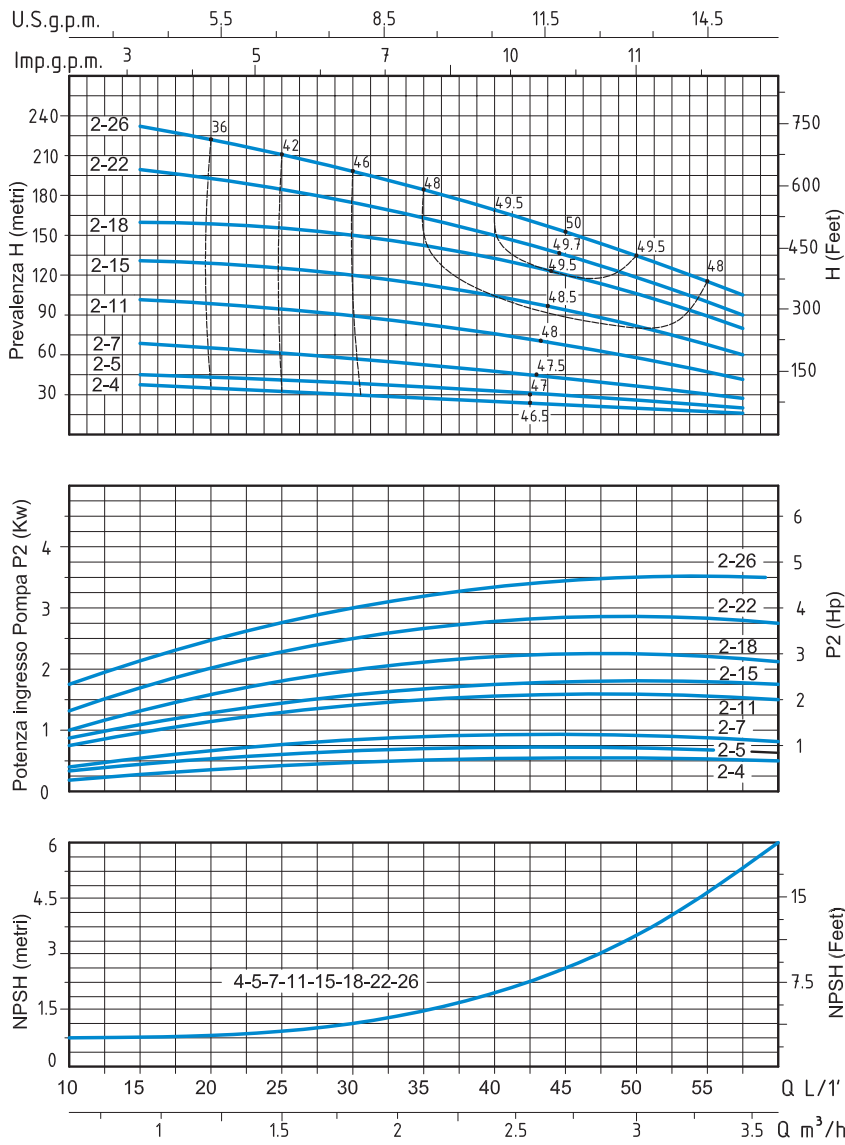
- Suction casing Stainless Steel AISI 304
- Delivery casing Stainless Steel AISI 304
- Impeller Stainless Steel AISI 304
- External jacket Stainless Steel AISI 304
- Upper cover Stainless Steel AISI 304
- Lower cover Stainless Steel AISI 304
- Pump shaft Stainless Steel AISI 304
- Mechanical seal Silicon/Silicon/Viton

**APPLICATION**

Universal pumps for domestic or municipal water supply systems, for clean non-explosive liquids without solid or abrasive substances, for agricultural irrigation and sports application, for civil and industrial use, boiler feeding and condensate systems and for high pressure washing plants.



| MVS2 - 50 HZ - 1 PHASE / 3 PHASE |                     |                                |      |                       |                     |  |     |       |     |     |      |      |      |      |     |     |
|----------------------------------|---------------------|--------------------------------|------|-----------------------|---------------------|--|-----|-------|-----|-----|------|------|------|------|-----|-----|
| TIPO TYPE                        |                     | POTENZA NOMINALE NOMINAL POWER |      | AMPERE                |                     | Q = PORTATA- CAPACITY  |     |       |     |     |      |      |      |      |     |     |
| Monofase Single-phase            | Trifase Three-phase | P2                             |      | Monofase Single-phase | Trifase Three-phase | m <sup>3</sup> /h  | 1   | 1,2   | 1,5 | 1,6 | 2    | 2,4  | 2,8  | 3    | 3,2 | 3,5 |
|                                  |                     | HP                             | kW   |                       |                     |  |     |       |     |     |      |      |      |      |     |     |
| MVS 2-4                          | MVSt 2-4            | 0,75                           | 0,55 | 3,4                   | 1,4                 | Prevalenza manometrica totale in m.C.A.- Total head in meters w.c. |     |       |     |     |      |      |      |      |     |     |
| MVS 2-5                          | MVSt 2-5            | 0,75                           | 0,55 | 3,4                   | 1,4                 | 36   | 34  | 32,5  | 32  | 29  | 26,5 | 23,5 | 21,5 | 20   | 16  |     |
| MVS 2-7                          | MVSt 2-7            | 1                              | 0,75 | 5                     | 1,7                 | 45   | 43  | 40,5  | 40  | 37  | 33   | 30   | 26   | 23,5 | 20  |     |
| MVS 2-11                         | MVSt 2-11           | 1,5                            | 1,1  | 6,9                   | 2,5                 | 63   | 60  | 57,5  | 57  | 52  | 47   | 42   | 38   | 35   | 28  |     |
| MVS 2-15                         | MVSt 2-15           | 2                              | 1,5  | 9,7                   | 3,5                 | 98   | 94  | 89,5  | 89  | 80  | 73   | 64   | 58   | 53   | 44  |     |
| MVS 2-18                         | MVSt 2-18           | 3                              | 2,2  | 13,5                  | 4,7                 | 134  | 130 | 124,5 | 124 | 114 | 104  | 94   | 86   | 78   | 60  |     |
| MVS 2-22                         | MVSt 2-22           | 3                              | 2,2  | 13,5                  | 4,7                 | 161  | 157 | 150,5 | 150 | 140 | 129  | 118  | 104  | 93   | 76  |     |
|                                  | MVSt 2-26           | 4                              | 3    |                       | 6,1                 | 197  | 191 | 180,5 | 180 | 165 | 150  | 135  | 123  | 110  | 90  |     |
|                                  |                     |                                |      |                       |                     | 232  | 224 | 214,5 | 214 | 190 | 175  | 158  | 144  | 130  | 110 |     |



| TIPO TYPE             |                     | DIMENSIONI mm- DIMENSIONS mm |    |     |     |         |     |     |                | DIMENSIONI DIMENSIONS mm |      |     | PESO WEIGHT |
|-----------------------|---------------------|------------------------------|----|-----|-----|---------|-----|-----|----------------|--------------------------|------|-----|-------------|
| Monofase Single-phase | Trifase Three-phase | A                            | H  | B1  | B2  | B1 + B2 | D1  | D2  | FLANGIA FLANGE | P                        | L    | H   | Kg          |
| MVS 2-4               | MVSt 2-4            | 250                          | 75 | 294 | 210 | 504     | 148 | 117 | DN 25 1" 1/4   | 320                      | 765  | 395 | 34          |
| MVS 2-5               | MVSt 2-5            | 250                          | 75 | 312 | 210 | 522     | 148 | 117 | DN 25 1" 1/4   | 320                      | 765  | 395 | 34,1        |
| MVS 2-7               | MVSt 2-7            | 250                          | 75 | 358 | 245 | 603     | 170 | 142 | DN 25 1" 1/4   | 320                      | 765  | 395 | 38,1        |
| MVS 2-11              | MVSt 2-11           | 250                          | 75 | 430 | 245 | 675     | 170 | 142 | DN 25 1" 1/4   | 320                      | 765  | 395 | 42,1        |
| MVS 2-15              | MVSt 2-15           | 250                          | 75 | 512 | 290 | 802     | 190 | 155 | DN 25 1" 1/4   | 372                      | 965  | 445 | 50,9        |
| MVS 2-18              | MVSt 2-18           | 250                          | 75 | 566 | 290 | 856     | 190 | 155 | DN 25 1" 1/4   | 372                      | 965  | 445 | 55          |
| MVS 2-22              | MVSt 2-22           | 250                          | 75 | 638 | 290 | 928     | 190 | 155 | DN 25 1" 1/4   | 365                      | 1115 | 440 | 59,4        |
|                       | MVSt 2-26           | 250                          | 75 | 720 | 315 | 1035    | 197 | 165 | DN 25 1" 1/4   | 365                      | 1115 | 440 | 66,1        |

**ELETTROPOMPE VERTICALI MULTISTADIO ACCIAIO INOX - VERTICAL MULTISTAGE STAINLESS STEEL PUMPS**

**APPLICAZIONI**

Elettropompe universali per applicazioni civili ed industriali, per impianti di lavaggio ad alta pressione, per l'irrigazione, l'agricoltura, impianti sportivi, per fontane e per movimentazione di liquidi moderatamente aggressivi privi di sostanze solide o abrasive.

**LIMITI D'IMPIEGO**

- Temperatura liquido fino a 35°C (per un uso domestico secondo EN 60335-2-41)
- Temperatura max. liquido: 110°C (per altri impieghi)
- Temperatura ambiente fino a 40° C

**MOTORE**

- Monofase 230V-50Hz
- Trifase 230/400V-50Hz
- Motore elettrico ad induzione a 2 poli (n = 2900 min<sup>-1</sup>)
- Isolamento Classe F
- Protezione IP 55

**MATERIALI**

- Corpo aspirazione Acciaio Inox AISI 304
- Corpo mandata Acciaio Inox AISI 304
- Girante Acciaio Inox AISI 304
- Camicia pompa Acciaio Inox AISI 304
- Coperchio superiore Acciaio Inox AISI 304
- Coperchio inferiore Acciaio Inox AISI 304
- Albero motore Acciaio Inox AISI 304
- Tenute meccaniche Silicio/Silicio/Viton

**OPERATING CONDITIONS**

- Liquid temperature up to 35°C (for home use according to EN 60335-2-41)
- Temperature max. liquid: 110°C (for other uses)
- Ambient temperature max to 40°C

**MOTOR**

- Single-phase 230V-50Hz
- Three-phase 230/400V-50Hz
- Two-pole electric standard motor (n = 2900 min<sup>-1</sup>)
- Insulation Class F
- Protection IP 55

**MATERIALS**

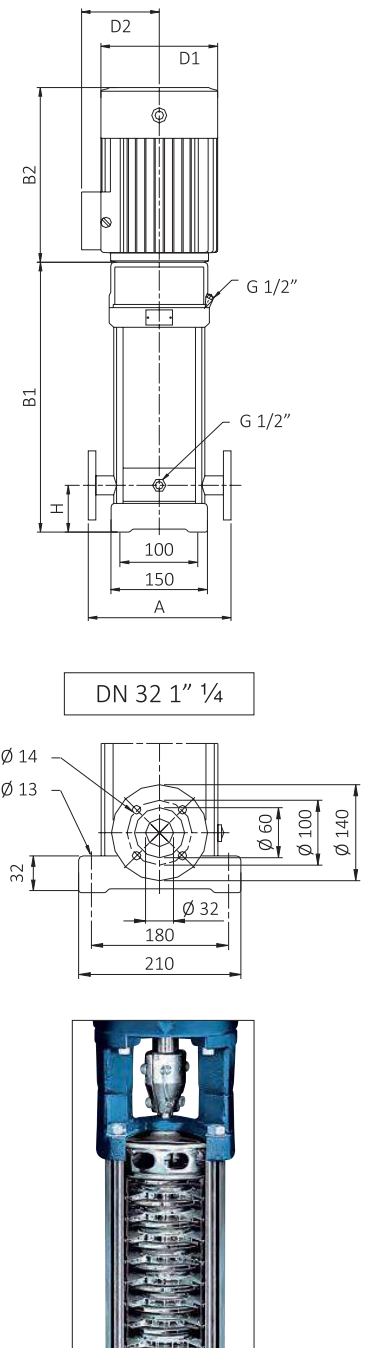
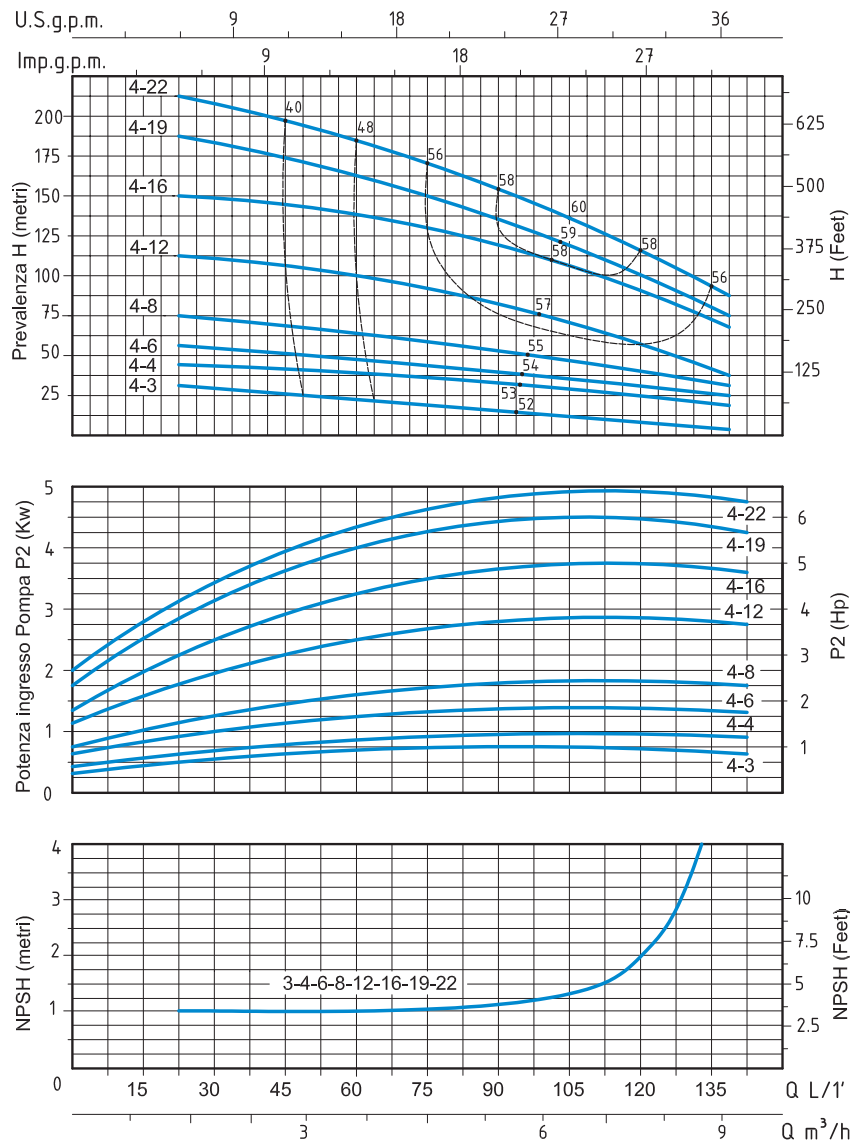
- Suction casing Stainless Steel AISI 304
- Delivery casing Stainless Steel AISI 304
- Impeller Stainless Steel AISI 304
- External jacket Stainless Steel AISI 304
- Upper cover Stainless Steel AISI 304
- Lower cover Stainless Steel AISI 304
- Pump shaft Stainless Steel AISI 304
- Mechanical seal Silicon/Silicon/Viton

**APPLICATION**

Universal pumps for domestic or municipal water supply systems, for clean non-explosive liquids without solid or abrasive substances, for agricultural irrigation and sports application, for civil and industrial use, boiler feeding and condensate systems and for high pressure washing plants.



| MVS4 - 50 HZ - 1 PHASE / 3 PHASE |                     |                                |      |                       |                     |  |       |       |      |      |       |     |      |      |     |     |
|----------------------------------|---------------------|--------------------------------|------|-----------------------|---------------------|--|-------|-------|------|------|-------|-----|------|------|-----|-----|
| TIPO TYPE                        |                     | POTENZA NOMINALE NOMINAL POWER |      | AMPERE                |                     | Q = PORTATA- CAPACITY  |       |       |      |      |       |     |      |      |     |     |
| Monofase Single-phase            | Trifase Three-phase | P2                             |      | Monofase Single-phase | Trifase Three-phase | m³/h   | 1,5   | 2     | 2,4  | 3    | 3,5   | 4   | 5    | 6    | 7   | 8   |
|                                  |                     | HP                             | kW   |                       |                     | lt/1'  | 25    | 33    | 40   | 50   | 58    | 66  | 83   | 100  | 116 | 133 |
| MVS 4-3                          | MVSt 4-3            | 0,75                           | 0,55 | 3,4                   | 1,4                 | Prevalenza manometrica totale in m.C.A.- Total head in meters w.c. |       |       |      |      |       |     |      |      |     |     |
| MVS 4-4                          | MVSt 4-4            | 1                              | 0,75 | 5                     | 1,7                 | 28   | 27    | 26,5  | 25,5 | 24,5 | 23,5  | 21  | 18   | 14   | 10  |     |
| MVS 4-6                          | MVSt 4-6            | 1,5                            | 1,1  | 6,9                   | 2,5                 | 38   | 36    | 35,5  | 34,5 | 33,5 | 32    | 29  | 24,5 | 19   | 13  |     |
| MVS 4-8                          | MVSt 4-8            | 2                              | 1,5  | 9,7                   | 3,5                 | 56   | 54,5  | 53,5  | 52   | 50   | 48    | 42  | 36   | 28,5 | 20  |     |
| MVS 4-12                         | MVSt 4-12           | 3                              | 2,2  | 13,5                  | 4,7                 | 74   | 73    | 72    | 70   | 68   | 66    | 60  | 52   | 42   | 27  |     |
|                                  | MVSt 4-16           | 4                              | 3    |                       | 6,1                 | 114  | 110   | 107,5 | 104  | 101  | 96    | 87  | 74   | 59   | 41  |     |
|                                  | MVSt 4-19           | 5,5                            | 4    |                       | 8                   | 152  | 149,5 | 146,5 | 142  | 137  | 131,5 | 118 | 101  | 80   | 55  |     |
|                                  | MVSt 4-22           | 5,5                            | 4    |                       | 8                   | 183  | 179   | 175   | 168  | 163  | 158   | 143 | 124  | 100  | 67  |     |
|                                  |                     |                                |      |                       |                     | 211  | 205   | 200   | 194  | 188  | 181   | 164 | 142  | 116  | 79  |     |



| TIPO<br>TYPE             |                        | DIMENSIONI mm- DIMENSIONS mm |    |     |     |         |     |     | DIMENSIONI<br>DIMENSIONS<br>mm |     |      | PESO<br>WEIGHT |      |
|--------------------------|------------------------|------------------------------|----|-----|-----|---------|-----|-----|--------------------------------|-----|------|----------------|------|
| Monofase<br>Single-phase | Trifase<br>Three-phase | A                            | H  | B1  | B2  | B1 + B2 | D1  | D2  | FLANGIA<br>FLANGE              | P   | L    | H              | Kg   |
| MVS 4-3                  | MVSt 4-3               | 250                          | 75 | 303 | 210 | 513     | 148 | 148 | DN 32 1" 1/4                   | 320 | 765  | 395            | 37,1 |
| MVS 4-4                  | MVSt 4-4               | 250                          | 75 | 340 | 245 | 585     | 170 | 142 | DN 32 1" 1/4                   | 320 | 765  | 395            | 39   |
| MVS 4-6                  | MVSt 4-6               | 250                          | 75 | 394 | 245 | 639     | 170 | 142 | DN 32 1" 1/4                   | 320 | 765  | 395            | 44,1 |
| MVS 4-8                  | MVSt 4-8               | 250                          | 75 | 458 | 290 | 748     | 190 | 155 | DN 32 1" 1/4                   | 372 | 965  | 445            | 52,1 |
| MVS 4-12                 | MVSt 4-12              | 250                          | 75 | 566 | 290 | 856     | 190 | 155 | DN 32 1" 1/4                   | 372 | 965  | 445            | 57,1 |
|                          | MVSt 4-16              | 250                          | 75 | 684 | 315 | 999     | 197 | 165 | DN 32 1" 1/4                   | 365 | 1115 | 440            | 64,1 |
|                          | MVSt 4-19              | 250                          | 75 | 765 | 335 | 1100    | 230 | 188 | DN 32 1" 1/4                   | 417 | 1215 | 445            | 78,5 |
|                          | MVSt 4-22              | 250                          | 75 | 846 | 335 | 1181    | 230 | 188 | DN 32 1" 1/4                   | 417 | 1215 | 445            | 81,8 |

**ELETTROPOMPE VERTICALI MULTISTADIO ACCIAIO INOX - VERTICAL MULTISTAGE STAINLESS STEEL PUMPS**

**APPLICAZIONI**

Elettropompe universali per applicazioni civili ed industriali, per impianti di lavaggio ad alta pressione, per l'irrigazione, l'agricoltura, impianti sportivi, per fontane e per movimentazione di liquidi moderatamente aggressivi privi di sostanze solide o abrasive.

**APPLICATION**

Universal pumps for domestic or municipal water supply systems, for clean non-explosive liquids without solid or abrasive substances, for agricultural irrigation and sports application, for civil and industrial use, boiler feeding and condensate systems and for high pressure washing plants.

**LIMITI D'IMPIEGO**

- Temperatura liquido fino a 35°C (per un uso domestico secondo EN 60335-2-41)
- Temperatura max. liquido: 110°C (per altri impieghi)
- Temperatura ambiente fino a 40° C

**MOTORE**

- Monofase 230V-50Hz
- Trifase 230/400V-50Hz P2 ≤ 7,5 kW
- Trifase 400/690V-50Hz P2 > 7,5 kW
- Motore elettrico ad induzione a 2 poli (n = 2900 min<sup>-1</sup>)
- Isolamento Classe F
- Protezione IP 55

**MATERIALI**

- Corpo aspirazione Acciaio Inox AISI 304
- Corpo mandata Acciaio Inox AISI 304
- Girante Acciaio Inox AISI 304
- Camicia pompa Acciaio Inox AISI 304
- Coperchio superiore Acciaio Inox AISI 304
- Coperchio inferiore Acciaio Inox AISI 304
- Albero motore Acciaio Inox AISI 304
- Tenute meccaniche Silicio/Silicio/Viton

**OPERATING CONDITIONS**

- Liquid temperature up to 35°C (for home use according to EN 60335-2-41)
- Temperature max. liquid: 110°C (for other uses)
- Ambient temperature max to 40°C

**MOTOR**

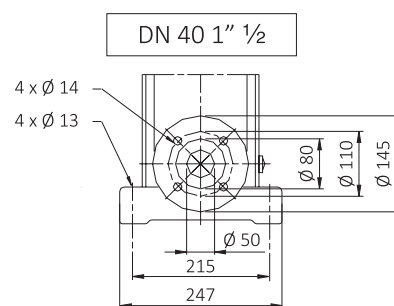
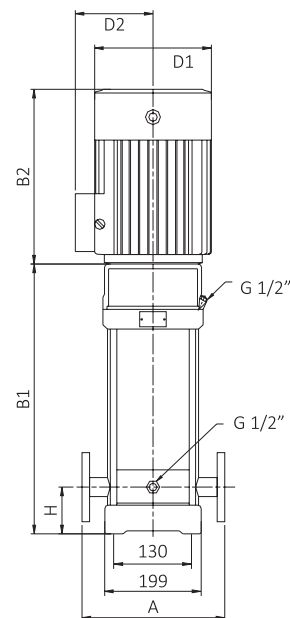
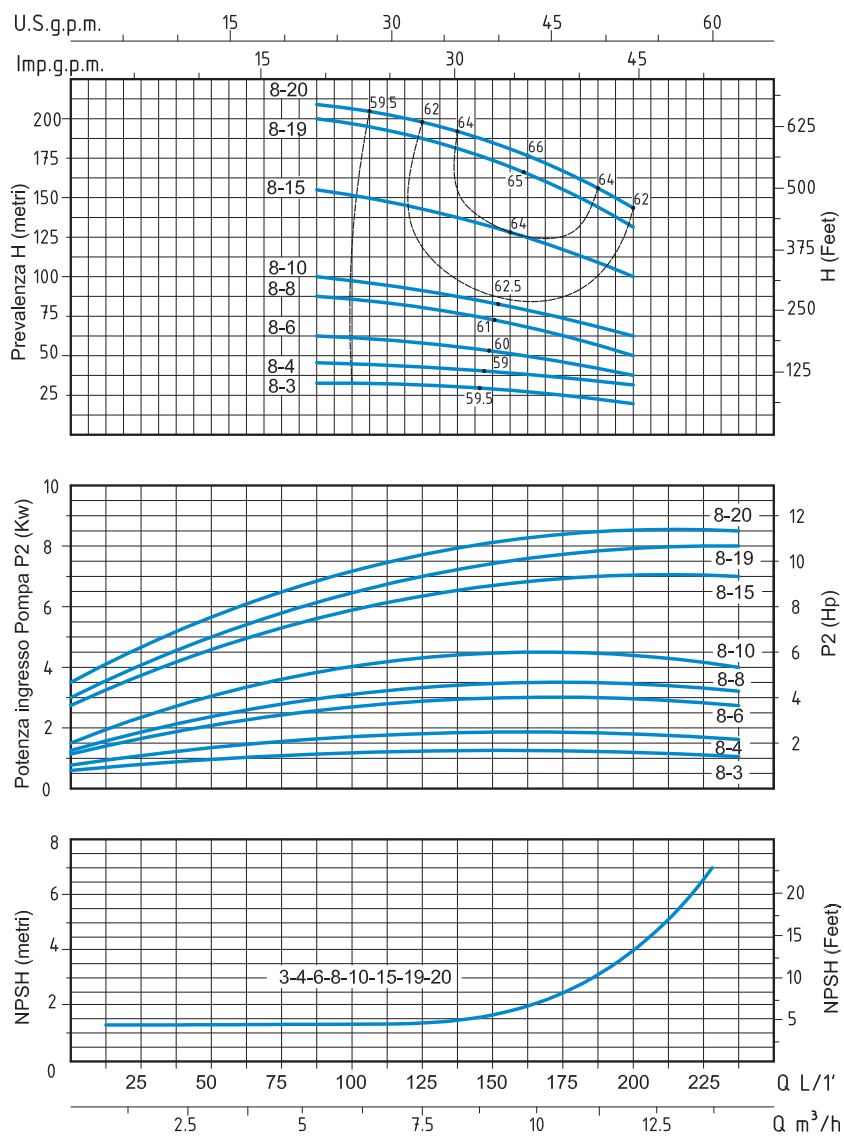
- Single-phase 230V-50Hz
- Three-phase 230/400V-50Hz P2 ≤ 7,5 kW
- Three-phase 400/690V-50Hz P2 > 7,5 kW
- Two-pole electric standard motor (n = 2900 min<sup>-1</sup>)
- Insulation Class F
- Protection IP 55

**MATERIALS**

- Suction casing Stainless Steel AISI 304
- Delivery casing Stainless Steel AISI 304
- Impeller Stainless Steel AISI 304
- External jacket Stainless Steel AISI 304
- Upper cover Stainless Steel AISI 304
- Lower cover Stainless Steel AISI 304
- Pump shaft Stainless Steel AISI 304
- Mechanical seal Silicon/Silicon/Viton



| MVS8 - 50 HZ - 1 PHASE / 3 PHASE                                   |                     |                                |     |                       |                     |                       |     |     |     |     |     |     |     |     |
|--|---------------------|--------------------------------|-----|-----------------------|---------------------|-----------------------|-----|-----|-----|-----|-----|-----|-----|-----|
| TIPO TYPE  |                     | POTENZA NOMINALE NOMINAL POWER |     | AMPERE                |                     | Q = PORTATA- CAPACITY |     |     |     |     |     |     |     |     |
| Monofase Single-phase  | Trifase Three-phase | P2                             |     | Monofase Single-phase | Trifase Three-phase | m <sup>3</sup> /h     | 5   | 6   | 7   | 8   | 9   | 10  | 11  | 12  |
|  |                     | HP                             | kW  |                       |                     | lt/1'                 | 83  | 100 | 116 | 133 | 150 | 166 | 183 | 200 |
| Prevalenza manometrica totale in m.C.A.- Total head in meters w.c. |                     |                                |     |                       |                     |                       |     |     |     |     |     |     |     |     |
| MVS 8-3  | MVSt 8-3            | 1,5                            | 1,1 | 6,9                   | 2,5                 | 30                    | 29  | 28  | 26  | 24  | 22  | 20  | 19  |     |
| MVS 8-4  | MVSt 8-4            | 2                              | 1,5 | 9,7                   | 3,5                 | 41                    | 38  | 37  | 35  | 33  | 31  | 27  | 26  |     |
| MVS 8-6  | MVSt 8-6            | 3                              | 2,2 | 13,5                  | 4,7                 | 62                    | 58  | 56  | 53  | 49  | 46  | 41  | 39  |     |
|  | MVSt 8-8            | 4                              | 3   |                       |                     | 83                    | 79  | 76  | 73  | 68  | 64  | 57  | 52  |     |
|  | MVSt 8-10           | 5,5                            | 4   |                       | 8                   | 104                   | 100 | 97  | 93  | 87  | 81  | 73  | 65  |     |
|  | MVSt 8-15           | 7,5                            | 5,5 |                       |                     | 155                   | 148 | 146 | 136 | 127 | 117 | 106 | 99  |     |
|  | MVSt 8-19           | 10                             | 7,5 |                       | 14,5                | 197                   | 193 | 185 | 175 | 163 | 150 | 132 | 127 |     |
|  | MVSt 8-20           | 10                             | 7,5 |                       |                     | 208                   | 200 | 190 | 180 | 170 | 157 | 145 | 135 |     |



| TIPO<br>TYPE             |                        | DIMENSIONI mm- DIMENSIONS mm |    |     |     |         |     |     | DIMENSIONI<br>DIMENSIONS<br>mm |     |      | PESO<br>WEIGHT |       |
|--------------------------|------------------------|------------------------------|----|-----|-----|---------|-----|-----|--------------------------------|-----|------|----------------|-------|
| Monofase<br>Single-phase | Trifase<br>Three-phase | A                            | H  | B1  | B2  | B1 + B2 | D1  | D2  | FLANGIA<br>FLANGE              | P   | L    | H              | Kg    |
| MVS 8-3                  | MVSt 8-3               | 280                          | 80 | 377 | 245 | 622     | 170 | 142 | DN 40 1" 1/2                   | 320 | 765  | 395            | 51,8  |
| MVS 8-4                  | MVSt 8-4               | 280                          | 80 | 417 | 290 | 707     | 190 | 155 | DN 40 1" 1/2                   | 372 | 965  | 445            | 62    |
| MVS 8-6                  | MVSt 8-6               | 280                          | 80 | 477 | 290 | 767     | 190 | 155 | DN 40 1" 1/2                   | 372 | 965  | 445            | 63    |
|                          | MVSt 8-8               | 280                          | 80 | 547 | 315 | 862     | 197 | 165 | DN 40 1" 1/2                   | 372 | 965  | 445            | 67,6  |
|                          | MVSt 8-10              | 280                          | 80 | 607 | 335 | 942     | 230 | 188 | DN 40 1" 1/2                   | 365 | 1115 | 440            | 82,8  |
|                          | MVSt 8-15              | 280                          | 80 | 807 | 430 | 1237    | 260 | 208 | DN 40 1" 1/2                   | 417 | 1215 | 445            | 104,7 |
|                          | MVSt 8-19              | 280                          | 80 | 867 | 430 | 1297    | 260 | 208 | DN 40 1" 1/2                   | 515 | 1515 | 493            | 123,1 |
|                          | MVSt 8-20              | 280                          | 80 | 927 | 430 | 1357    | 260 | 208 | DN 40 1" 1/2                   | 515 | 1515 | 493            | 125,1 |

**ELETTROPOMPE VERTICALI MULTISTADIO ACCIAIO INOX - VERTICAL MULTISTAGE STAINLESS STEEL PUMPS**

**APPLICAZIONI**

Elettropompe universali per applicazioni civili ed industriali, per impianti di lavaggio ad alta pressione, per l'irrigazione, l'agricoltura, impianti sportivi, per fontane e per movimentazione di liquidi moderatamente aggressivi privi di sostanze solide o abrasive.

**APPLICATION**

Universal pumps for domestic or municipal water supply systems, for clean non-explosive liquids without solid or abrasive substances, for agricultural irrigation and sports application, for civil and industrial use, boiler feeding and condensate systems and for high pressure washing plants.

**LIMITI D'IMPIEGO**

- Temperatura liquido fino a 35°C (per un uso domestico secondo EN 60335-2-41)
- Temperatura max. liquido: 110°C (per altri impieghi)
- Temperatura ambiente fino a 40° C

**MOTORE**

- Monofase 230V-50Hz
- Trifase 230/400V-50Hz P2 ≤ 7,5 kW
- Trifase 400/690V-50Hz P2 > 7,5 kW
- Motore elettrico ad induzione a 2 poli (n = 2900 min<sup>-1</sup>)
- Isolamento Classe F
- Protezione IP 55

**MATERIALI**

- Corpo aspirazione Acciaio Inox AISI 304
- Corpo mandata Acciaio Inox AISI 304
- Girante Acciaio Inox AISI 304
- Camicia pompa Acciaio Inox AISI 304
- Coperchio superiore Acciaio Inox AISI 304
- Coperchio inferiore Acciaio Inox AISI 304
- Albero motore Acciaio Inox AISI 304
- Tenute meccaniche Silicio/Silicio/Viton

**OPERATING CONDITIONS**

- Liquid temperature up to 35°C (for home use according to EN 60335-2-41)
- Temperature max. liquid: 110°C (for other uses)
- Ambient temperature max to 40°C

**MOTOR**

- Single-phase 230V-50Hz
- Three-phase 230/400V-50Hz P2 ≤ 7,5 kW
- Three-phase 400/690V-50Hz P2 > 7,5 kW
- Two-pole electric standard motor (n = 2900 min<sup>-1</sup>)
- Insulation Class F
- Protection IP 55

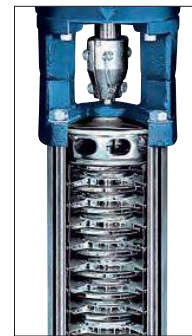
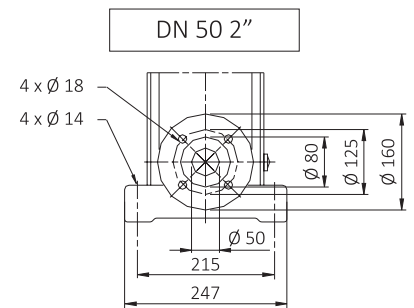
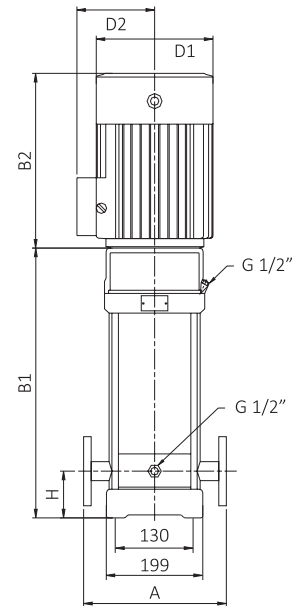
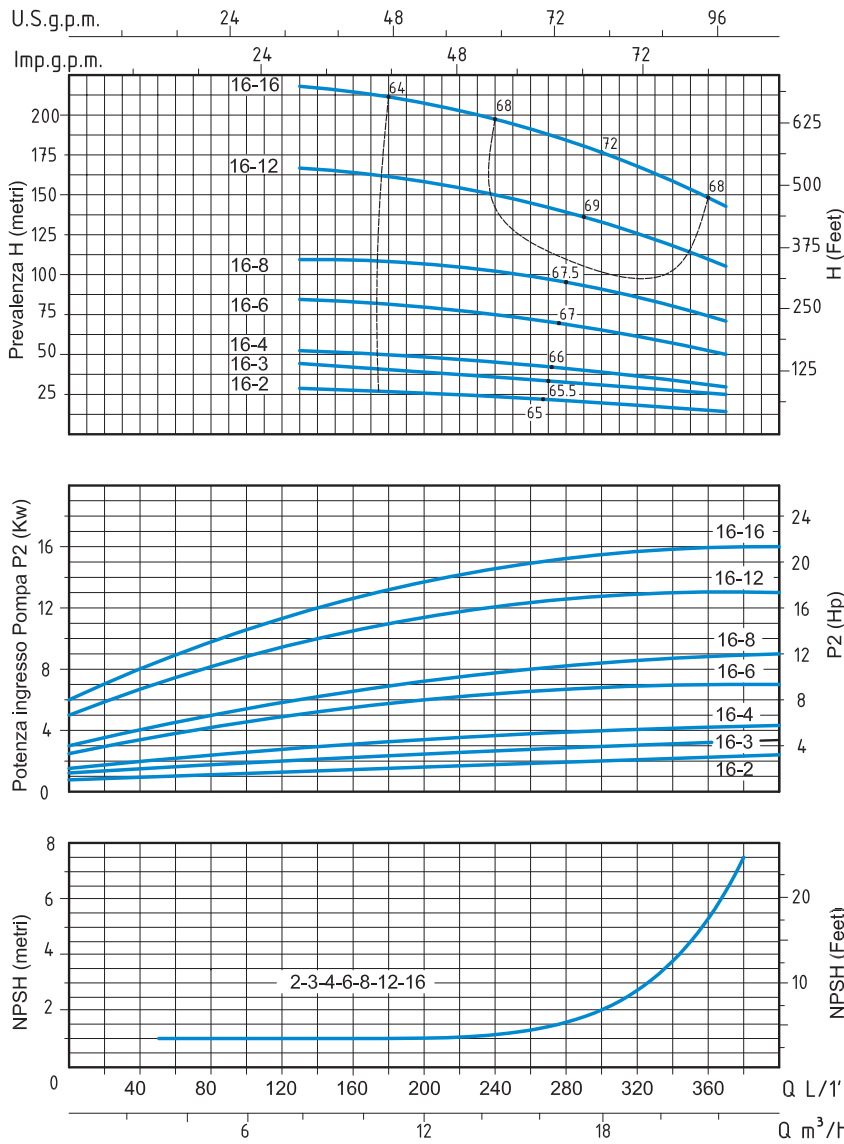
**MATERIALS**

- Suction casing Stainless Steel AISI 304
- Delivery casing Stainless Steel AISI 304
- Impeller Stainless Steel AISI 304
- External jacket Stainless Steel AISI 304
- Upper cover Stainless Steel AISI 304
- Lower cover Stainless Steel AISI 304
- Pump shaft Stainless Steel AISI 304
- Mechanical seal Silicon/Silicon/Viton



| MVS16 - 50 HZ - 1 PHASE / 3 PHASE                                  |                     |                                |     |                       |                     | Q = PORTATA- CAPACITY |     |       |     |       |     |      |      |     |     |     |  |
|--|---------------------|--------------------------------|-----|-----------------------|---------------------|-----------------------|-----|-------|-----|-------|-----|------|------|-----|-----|-----|--|
| TIPO TYPE  |                     | POTENZA NOMINALE NOMINAL POWER |     | AMPERE                |                     |                       |     |       |     |       |     |      |      |     |     |     |  |
| Monofase Single-phase  | Trifase Three-phase | P2                             |     | Monofase Single-phase | Trifase Three-phase | m <sup>3</sup> /h     | 8   | 9     | 10  | 11    | 12  | 14   | 16   | 18  | 20  | 22  |  |
|  |                     | HP                             | kW  |                       |                     | lt/1'                 | 133 | 150   | 166 | 183   | 200 | 233  | 266  | 300 | 333 | 366 |  |
| Prevalenza manometrica totale in m.C.A.- Total head in meters w.c. |                     |                                |     |                       |                     |                       |     |       |     |       |     |      |      |     |     |     |  |
| MVS 16-2   | MVSt 16-2           | 3                              | 2,2 | 13,5                  | 4,7                 | H (m)                 | 27  | 26,5  | 26  | 25,5  | 25  | 24,5 | 23,5 | 22  | 20  | 16  |  |
|  | MVSt 16-3           | 4                              | 3   |                       | 6,1                 |                       | 41  | 40,5  | 40  | 39,5  | 39  | 37,5 | 35,5 | 33  | 30  | 25  |  |
|  | MVSt 16-4           | 5,5                            | 4   |                       | 8                   |                       | 54  | 53    | 52  | 51    | 50  | 49   | 46   | 43  | 38  | 34  |  |
|  | MVSt 16-6           | 7,5                            | 5,5 |                       | 10,7                |                       | 82  | 81    | 80  | 78    | 77  | 73   | 69   | 63  | 57  | 52  |  |
|  | MVSt 16-8           | 10                             | 7,5 |                       | 14,5                |                       | 110 | 109,5 | 109 | 108,5 | 108 | 104  | 101  | 95  | 85  | 70  |  |
|  | MVSt 16-12          | 15                             | 11  |                       | 19,4                |                       | 166 | 163   | 161 | 158   | 155 | 149  | 140  | 130 | 118 | 105 |  |
|  | MVSt 16-16          | 20                             | 15  |                       | 26                  |                       | 222 | 220   | 218 | 214   | 210 | 202  | 191  | 178 | 162 | 140 |  |

# MVS16



| TIPO<br>TYPE             |                        | DIMENSIONI mm- DIMENSIONS mm |    |      |     |         |     |     | DIMENSIONI<br>DIMENSIONS<br>mm |     |      | PESO<br>WEIGHT |       |
|--------------------------|------------------------|------------------------------|----|------|-----|---------|-----|-----|--------------------------------|-----|------|----------------|-------|
| Monofase<br>Single-phase | Trifase<br>Three-phase | A                            | H  | B1   | B2  | B1 + B2 | D1  | D2  | FLANGIA<br>FLANGE              | P   | L    | H              | Kg    |
| MVS 16-2                 | MVSt 16-2              | 300                          | 90 | 397  | 290 | 687     | 190 | 155 | DN 50 2"                       | 365 | 1115 | 440            | 63,5  |
|                          | MVSt 16-3              | 300                          | 90 | 452  | 315 | 767     | 197 | 165 | DN 50 2"                       | 372 | 965  | 445            | 69,5  |
|                          | MVSt 16-4              | 300                          | 90 | 497  | 335 | 832     | 230 | 188 | DN 50 2"                       | 372 | 965  | 445            | 78,2  |
|                          | MVSt 16-6              | 300                          | 90 | 607  | 430 | 1037    | 260 | 208 | DN 50 2"                       | 365 | 1115 | 440            | 99,1  |
|                          | MVSt 16-8              | 300                          | 90 | 697  | 430 | 1127    | 260 | 208 | DN 50 2"                       | 417 | 1215 | 445            | 109,6 |
|                          | MVSt 16-12             | 300                          | 90 | 965  | 490 | 1455    | 330 | 255 | DN 50 2"                       | 515 | 1515 | 493            | 196,5 |
|                          | MVSt 16-16             | 300                          | 90 | 1145 | 490 | 1635    | 330 | 255 | DN 50 2"                       | 515 | 1715 | 490            | 214,5 |



**ELETTROPOMPE VERTICALI MULTISTADIO ACCIAIO INOX - VERTICAL MULTISTAGE STAINLESS STEEL PUMPS**

**APPLICAZIONI**

Elettropompe universali per applicazioni civili ed industriali, per impianti di lavaggio ad alta pressione, per l'irrigazione, l'agricoltura, impianti sportivi, per fontane e per movimentazione di liquidi moderatamente aggressivi privi di sostanze solide o abrasive.

**APPLICATION**

Universal pumps for domestic or municipal water supply systems, for clean non-explosive liquids without solid or abrasive substances, for agricultural irrigation and sports application, for civil and industrial use, boiler feeding and condensate systems and for high pressure washing plants.

**LIMITI D'IMPIEGO**

- Temperatura liquido fino a 35°C (per un uso domestico secondo EN 60335-2-41)
- Temperatura max. liquido: 110°C (per altri impieghi)
- Temperatura ambiente fino a 40° C

**MOTORE**

- Trifase 230/400V-50Hz P2 ≤ 7,5 kW
- Trifase 400/690V-50Hz P2 > 7,5 kW
- Motore elettrico ad induzione a 2 poli (n = 2900 min<sup>-1</sup>)
- Isolamento Classe F
- Protezione IP 55

**MATERIALI**

- Corpo aspirazione Acciaio Inox AISI 304
- Corpo mandata Acciaio Inox AISI 304
- Girante Acciaio Inox AISI 304
- Camicia pompa Acciaio Inox AISI 304
- Coperchio superiore Acciaio Inox AISI 304
- Coperchio inferiore Acciaio Inox AISI 304
- Albero motore Acciaio Inox AISI 304
- Tenute meccaniche Silicio/Silicio/Viton

**OPERATING CONDITIONS**

- Liquid temperature up to 35°C (for home use according to EN 60335-2-41)
- Temperature max. liquid: 110°C (for other uses)
- Ambient temperature max to 40°C

**MOTOR**

- Three-phase 230/400V-50Hz P2 ≤ 7,5 kW
- Three-phase 400/690V-50Hz P2 > 7,5 kW
- Two-pole electric standard motor (n = 2900 min<sup>-1</sup>)
- Insulation Class F
- Protection IP 55

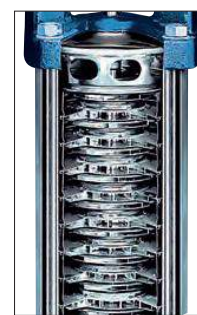
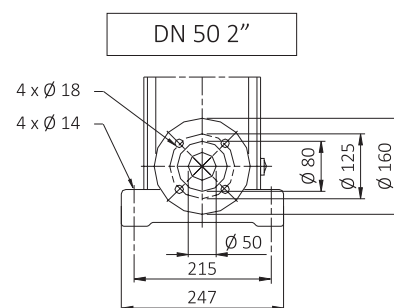
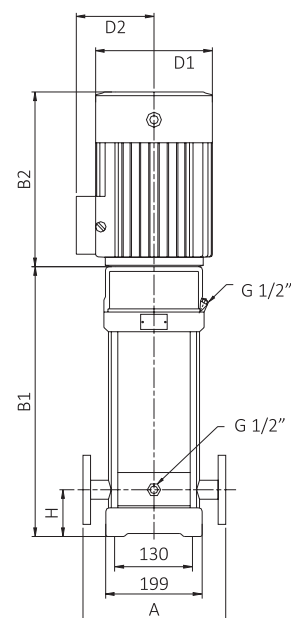
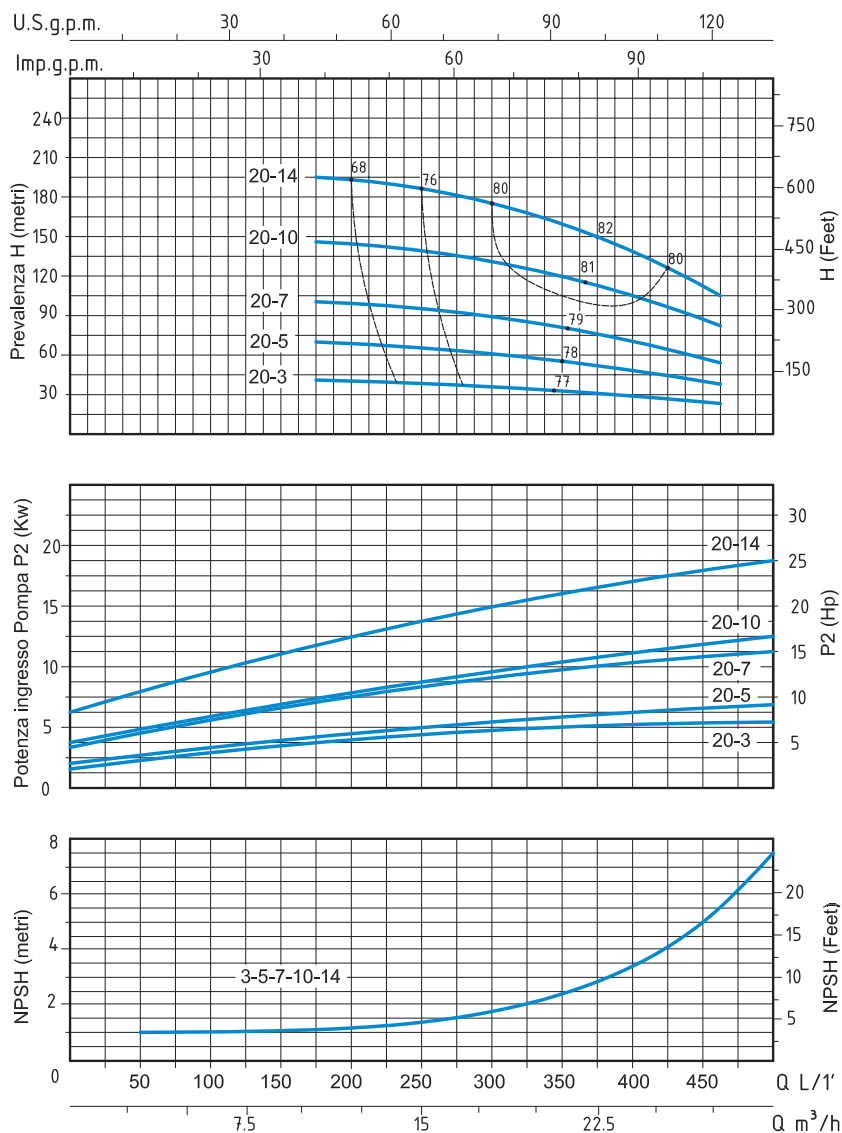
**MATERIALS**

- Suction casing Stainless Steel AISI 304
- Delivery casing Stainless Steel AISI 304
- Impeller Stainless Steel AISI 304
- External jacket Stainless Steel AISI 304
- Upper cover Stainless Steel AISI 304
- Lower cover Stainless Steel AISI 304
- Pump shaft Stainless Steel AISI 304
- Mechanical seal Silicon/Silicon/Viton



| MVS 20 - 50 HZ - 3 PHASE |   |     |                        |   |                   |     |       |      |     |     |     |     |     |     |
|--------------------------|---|-----|------------------------|---|-------------------|-----|-------|------|-----|-----|-----|-----|-----|-----|
| TIPO<br>TYPE             | POTENZA<br>NOMINALE<br>NOMINAL<br>POWER |     | AMPERE                 | Q = PORTATA - CAPACITY  |                   |     |       |      |     |     |     |     |     |     |
|                          | P2                                      |     |                        | Trifase<br>Three-phase  | m <sup>3</sup> /h | 10  | 12    | 14   | 18  | 20  | 22  | 24  | 25  | 26  |
| Trifase<br>Three-phase   | HP                                      | kW  | Trifase<br>Three-phase |   | lt/1'             | 166 | 200   | 233  | 300 | 333 | 366 | 400 | 416 | 433 |
|                          |   |     |                        | Prevalenza manometrica totale in m.C.A. - Total head in meters w.c. |                   |     |       |      |     |     |     |     |     |     |
| MVSt 20-3                | 5,5                                     | 4   | 8                      | H<br>(m)  | 41                | 40  | 39    | 36,5 | 34  | 35  | 29  | 28  | 27  | 24  |
| MVSt 20-5                | 7,5                                     | 5,5 | 10,7                   |   | 67                | 66  | 65,5  | 63   | 60  | 56  | 53  | 50  | 48  | 40  |
| MVSt 20-7                | 10                                      | 7,5 | 14,5                   |   | 95                | 94  | 93,5  | 87   | 83  | 79  | 73  | 70  | 67  | 58  |
| MVSt 20-10               | 15                                      | 11  | 19,4                   |   | 136               | 135 | 134,5 | 126  | 120 | 113 | 106 | 102 | 98  | 85  |
| MVSt 20-14               | 20                                      | 15  | 29                     |   | 192               | 191 | 190,5 | 178  | 170 | 160 | 149 | 143 | 137 | 119 |

# MVS20



| TIPO<br>TYPE           | DIMENSIONI mm - DIMENSIONS mm |    |      |     |         |     |     |                   | DIMENSIONI<br>DIMENSIONS<br>mm |      |     | PESO<br>WEIGHT<br>Kg |
|------------------------|-------------------------------|----|------|-----|---------|-----|-----|-------------------|--------------------------------|------|-----|----------------------|
|                        | A                             | H  | B1   | B2  | B1 + B2 | D1  | D2  | FLANGIA<br>FLANGE | P                              | L    | H   |                      |
| Trifase<br>Three-phase |                               |    |      |     |         |     |     |                   |                                |      |     |                      |
| MVSt 20-3              | 300                           | 90 | 452  | 335 | 787     | 230 | 188 | DN 50 2"          | 372                            | 965  | 445 | 71,1                 |
| MVSt 20-5              | 300                           | 90 | 562  | 430 | 992     | 260 | 208 | DN 50 2"          | 365                            | 1115 | 440 | 100,4                |
| MVSt 20-7              | 300                           | 90 | 652  | 430 | 1082    | 260 | 208 | DN 50 2"          | 417                            | 1215 | 445 | 108,9                |
| MVSt 20-10             | 300                           | 90 | 875  | 490 | 1365    | 330 | 255 | DN 50 2"          | 515                            | 1515 | 493 | 157                  |
| MVSt 20-14             | 300                           | 90 | 1055 | 490 | 1545    | 330 | 255 | DN 50 2"          | 515                            | 1715 | 490 | 208,5                |

**ELETTROPOMPE VERTICALI MULTISTADIO ACCIAIO INOX - VERTICAL MULTISTAGE STAINLESS STEEL PUMPS**

**APPLICAZIONI**

Elettropompe universali per applicazioni civili ed industriali, per impianti di lavaggio ad alta pressione, per l'irrigazione, l'agricoltura, impianti sportivi, per fontane e per movimentazione di liquidi moderatamente aggressivi privi di sostanze solide o abrasive.

**APPLICATION**

Universal pumps for domestic or municipal water supply systems, for clean non-explosive liquids without solid or abrasive substances, for agricultural irrigation and sports application, for civil and industrial use, boiler feeding and condensate systems and for high pressure washing plants.

**LIMITI D'IMPIEGO**

- Temperatura liquido fino a 35°C (per un uso domestico secondo EN 60335-2-41)
- Temperatura max. liquido: 110°C (per altri impieghi)
- Temperatura ambiente fino a 40° C

**MOTORE**

- Trifase 230/400V-50Hz P2 ≤ 7,5 kW
- Trifase 400/690V-50Hz P2 > 7,5 kW
- Motore elettrico ad induzione a 2 poli (n = 2900 min<sup>-1</sup>)
- Isolamento Classe F
- Protezione IP 55

**MATERIALI**

- Corpo aspirazione Acciaio Inox AISI 304
- Corpo mandata Acciaio Inox AISI 304
- Girante Acciaio Inox AISI 304
- Camicia pompa Acciaio Inox AISI 304
- Coperchio superiore Acciaio Inox AISI 304
- Coperchio inferiore Acciaio Inox AISI 304
- Albero motore Acciaio Inox AISI 304
- Tenute meccaniche Silicio/Silicio/Viton

**OPERATING CONDITIONS**

- Liquid temperature up to 35°C (for home use according to EN 60335-2-41)
- Temperature max. liquid: 110°C (for other uses)
- Ambient temperature max to 40°C

**MOTOR**

- Three-phase 230/400V-50Hz P2 ≤ 7,5 kW
- Three-phase 400/690V-50Hz P2 > 7,5 kW
- Two-pole electric standard motor (n = 2900 min<sup>-1</sup>)
- Insulation Class F
- Protection IP 55

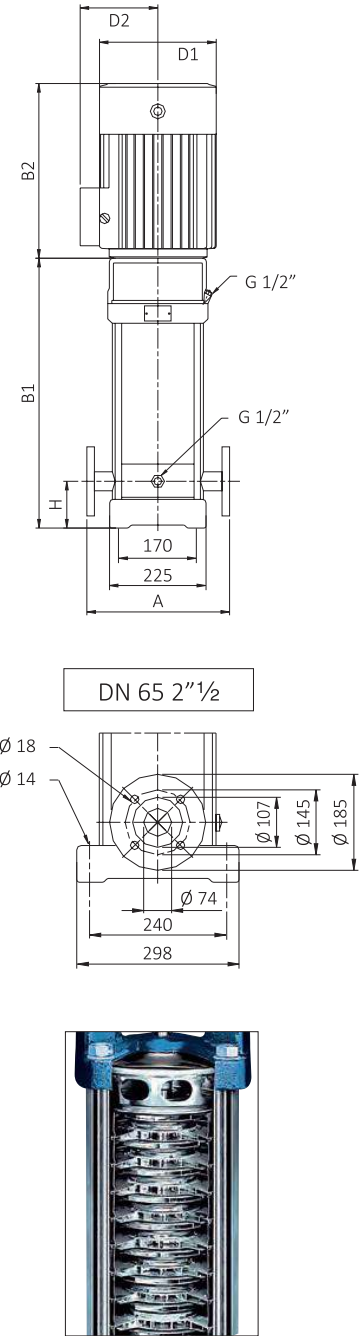
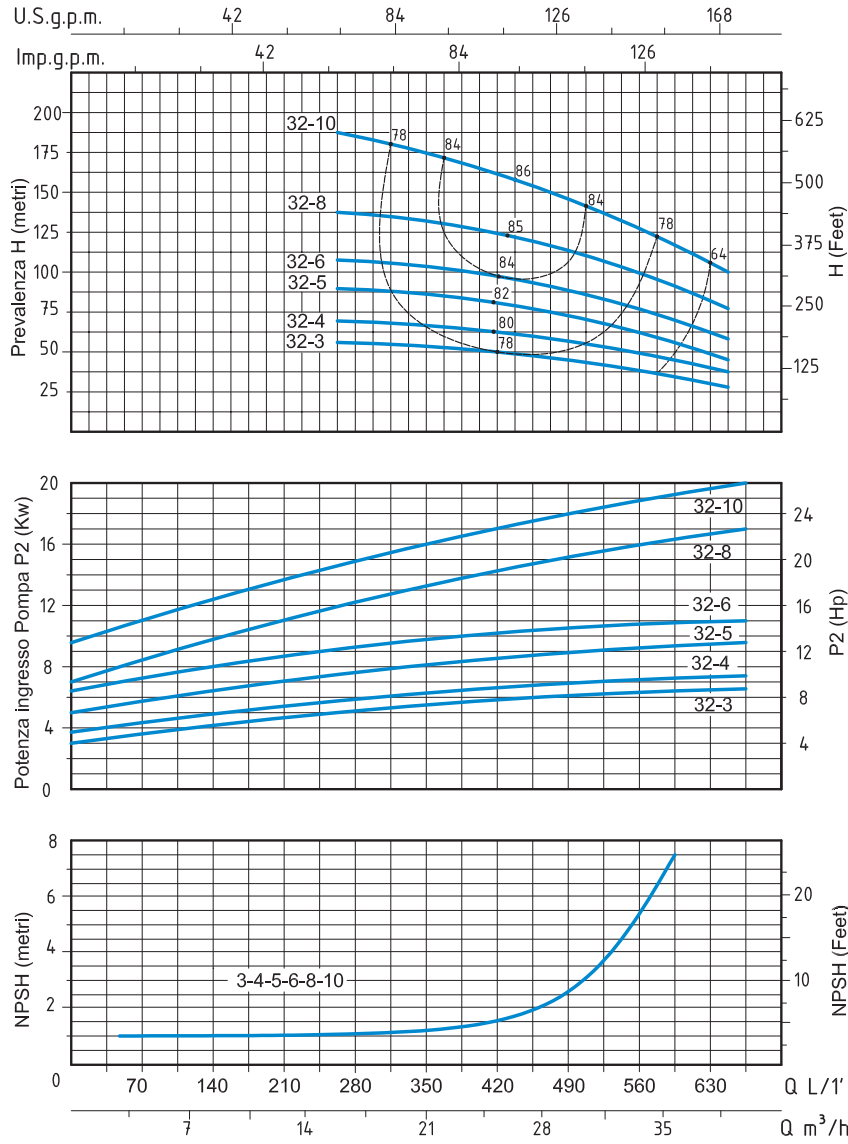
**MATERIALS**

- Suction casing Stainless Steel AISI 304
- Delivery casing Stainless Steel AISI 304
- Impeller Stainless Steel AISI 304
- External jacket Stainless Steel AISI 304
- Upper cover Stainless Steel AISI 304
- Lower cover Stainless Steel AISI 304
- Pump shaft Stainless Steel AISI 304
- Mechanical seal Silicon/Silicon/Viton



| MVS 32 - 50 HZ - 3 PHASE |   |      |                        |   |     |     |       |      |     |     |     |     |     |    |
|--------------------------|---|------|------------------------|---|-----|-----|-------|------|-----|-----|-----|-----|-----|----|
| TIPO<br>TYPE             | POTENZA<br>NOMINALE<br>NOMINAL<br>POWER |      | AMPERE                 | Q = PORTATA - CAPACITY  |     |     |       |      |     |     |     |     |     |    |
|                          | P2                                      |      |                        | m <sup>3</sup> /h   | 16  | 20  | 22    | 24   | 26  | 28  | 30  | 32  | 35  | 40 |
| Trifase<br>Three-phase   | HP                                      | kW   | Trifase<br>Three-phase |   |     |     |       |      |     |     |     |     |     |    |
|                          |   |      |                        | Prevalenza manometrica totale in m.C.A. - Total head in meters w.c. |     |     |       |      |     |     |     |     |     |    |
| MVSt 32-3                | 7,5                                     | 5,5  | 10,7                   | H<br>(m)  | 54  | 51  | 49    | 48   | 46  | 44  | 42  | 36  | 35  | 27 |
| MVSt 32-4                | 10                                      | 7,5  | 14,5                   |   | 72  | 69  | 67    | 65   | 63  | 60  | 57  | 49  | 48  | 37 |
| MVSt 32-5                | 15                                      | 11   | 16                     |   | 90  | 86  | 84    | 81,5 | 79  | 76  | 72  | 63  | 61  | 47 |
| MVSt 32-6                | 15                                      | 11   | 19,4                   |   | 108 | 106 | 103   | 100  | 97  | 93  | 89  | 79  | 77  | 57 |
| MVSt 32-8                | 20                                      | 15   | 24,5                   |   | 144 | 139 | 135,5 | 132  | 127 | 122 | 117 | 102 | 100 | 77 |
| MVSt 32-10               | 25                                      | 18,5 | 32                     |   | 182 | 175 | 171   | 166  | 160 | 153 | 145 | 124 | 120 | 98 |

# MVS32



| TIPO<br>TYPE           | DIMENSIONI mm- DIMENSIONS mm |     |      |     |         |     |     | FLANGIA<br>FLANGE | DIMENSIONI<br>DIMENSIONS<br>mm |      |     | PESO<br>WEIGHT<br>Kg |
|------------------------|------------------------------|-----|------|-----|---------|-----|-----|-------------------|--------------------------------|------|-----|----------------------|
|                        | A                            | H   | B1   | B2  | B1 + B2 | D1  | D2  |                   | P                              | L    | H   |                      |
| Trifase<br>Three-phase |                              |     |      |     |         |     |     |                   |                                |      |     |                      |
| MVSt 32-3              | 320                          | 105 | 645  | 430 | 1075    | 260 | 208 | DN 65 2" 1/2      | 417                            | 1215 | 444 | 120,2                |
| MVSt 32-4              | 320                          | 105 | 715  | 430 | 1145    | 260 | 208 | DN 65 2" 1/2      | 417                            | 1215 | 444 | 130,8                |
| MVSt 32-5              | 320                          | 105 | 890  | 490 | 1380    | 330 | 255 | DN 65 2" 1/2      | 515                            | 1515 | 493 | 218,1                |
| MVSt 32-6              | 320                          | 105 | 960  | 490 | 1450    | 330 | 255 | DN 65 2" 1/2      | 515                            | 1515 | 493 | 222,1                |
| MVSt 32-8              | 320                          | 105 | 1100 | 490 | 1590    | 330 | 255 | DN 65 2" 1/2      | 515                            | 1715 | 490 | 241,5                |
| MVSt 32-10             | 320                          | 105 | 1240 | 550 | 1790    | 330 | 255 | DN 65 2" 1/2      | 515                            | 1915 | 495 | 264                  |

**ELETTROPOMPE VERTICALI MULTISTADIO ACCIAIO INOX - VERTICAL MULTISTAGE STAINLESS STEEL PUMPS**

**APPLICAZIONI**

Elettropompe universali per applicazioni civili ed industriali, per impianti di lavaggio ad alta pressione, per l'irrigazione, l'agricoltura, impianti sportivi, per fontane e per movimentazione di liquidi moderatamente aggressivi privi di sostanze solide o abrasive.

**APPLICATION**

Universal pumps for domestic or municipal water supply systems, for clean non-explosive liquids without solid or abrasive substances, for agricultural irrigation and sports application, for civil and industrial use, boiler feeding and condensate systems and for high pressure washing plants.

**LIMITI D'IMPIEGO**

- Temperatura liquido fino a 35°C (per un uso domestico secondo EN 60335-2-41)
- Temperatura max. liquido: 110°C (per altri impieghi)
- Temperatura ambiente fino a 40° C

**MOTORE**

- Trifase 230/400V-50Hz P2 ≤ 7,5 kW
- Trifase 400/690V-50Hz P2 > 7,5 kW
- Motore elettrico ad induzione a 2 poli (n = 2900 min<sup>-1</sup>)
- Isolamento Classe F
- Protezione IP 55

**MATERIALI**

- Corpo aspirazione Acciaio Inox AISI 304
- Corpo mandata Acciaio Inox AISI 304
- Girante Acciaio Inox AISI 304
- Camicia pompa Acciaio Inox AISI 304
- Coperchio superiore Acciaio Inox AISI 304
- Coperchio inferiore Acciaio Inox AISI 304
- Albero motore Acciaio Inox AISI 304
- Tenute meccaniche Silicio/Silicio/Viton

**OPERATING CONDITIONS**

- Liquid temperature up to 35°C (for home use according to EN 60335-2-41)
- Temperature max. liquid: 110°C (for other uses)
- Ambient temperature max to 40°C

**MOTOR**

- Three-phase 230/400V-50Hz P2 ≤ 7,5 kW
- Three-phase 400/690V-50Hz P2 > 7,5 kW
- Two-pole electric standard motor (n = 2900 min<sup>-1</sup>)
- Insulation Class F
- Protection IP 55

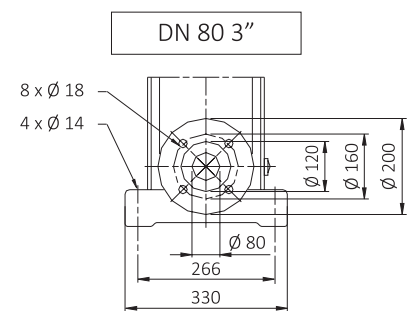
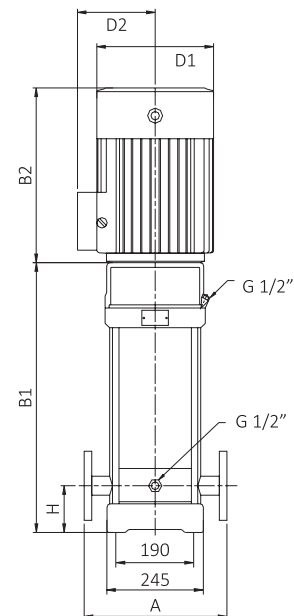
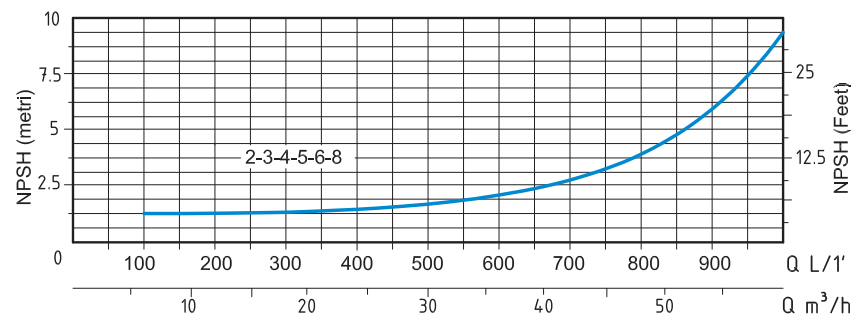
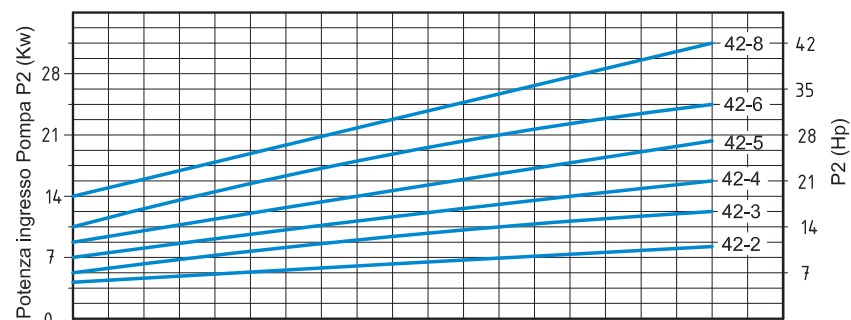
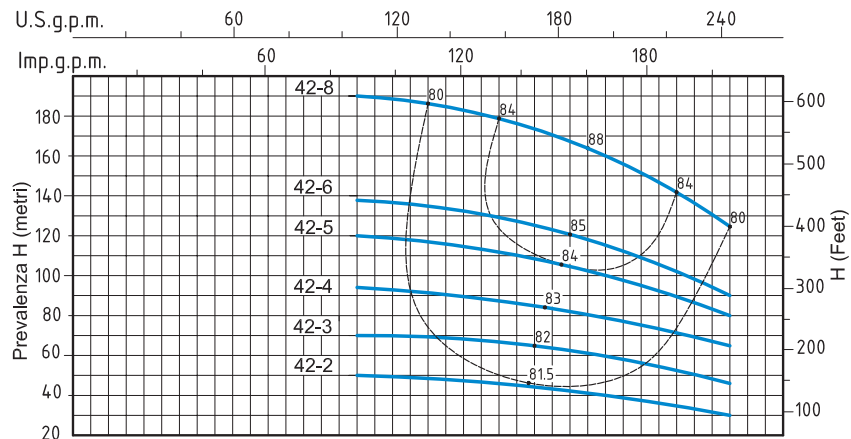
**MATERIALS**

- Suction casing Stainless Steel AISI 304
- Delivery casing Stainless Steel AISI 304
- Impeller Stainless Steel AISI 304
- External jacket Stainless Steel AISI 304
- Upper cover Stainless Steel AISI 304
- Lower cover Stainless Steel AISI 304
- Pump shaft Stainless Steel AISI 304
- Mechanical seal Silicon/Silicon/Viton



| MVS 42 - 50 HZ - 3 PHASE |   |      |                     |                        |                   |     |       |     |     |     |     |     |     |     |
|--------------------------|---|------|---------------------|------------------------|-------------------|-----|-------|-----|-----|-----|-----|-----|-----|-----|
| TIPO TYPE                | POTENZA NOMINALE NOMINAL POWER                                      |      | AMPERE              | Q = PORTATA - CAPACITY |                   |     |       |     |     |     |     |     |     |     |
|                          | HP  | kW   |                     | Trifase Three-phase    | m <sup>3</sup> /h | 25  | 28    | 30  | 32  | 36  | 40  | 42  | 45  | 50  |
| Trifase Three-phase      | P2  |      | Trifase Three-phase | lt/1'                  | 416               | 466 | 500   | 573 | 600 | 666 | 700 | 750 | 832 | 916 |
|                          | Prevalenza manometrica totale in m.C.A. - Total head in meters w.c. |      |                     |                        |                   |     |       |     |     |     |     |     |     |     |
| MVSt 42-2                | 10  | 7,5  | 14,5                | H (m)                  | 48                | 47  | 46    | 45  | 43  | 42  | 41  | 39  | 35  | 31  |
| MVSt 42-3                | 15  | 11   | 19,4                |                        | 71                | 70  | 69,5  | 68  | 66  | 64  | 63  | 60  | 56  | 47  |
| MVSt 42-4                | 20  | 15   | 27                  |                        | 95                | 94  | 93,5  | 90  | 88  | 85  | 83  | 81  | 76  | 62  |
| MVSt 42-5                | 25  | 18,5 | 33                  |                        | 119               | 118 | 117,5 | 114 | 112 | 109 | 106 | 102 | 95  | 78  |
| MVSt 42-6                | 30  | 22   | 39,5                |                        | 143               | 142 | 141,5 | 135 | 133 | 126 | 122 | 116 | 104 | 93  |
| MVSt 42-8                | 40  | 30   | 55,5                |                        | 190               | 189 | 188,5 | 183 | 180 | 170 | 160 | 158 | 142 | 124 |

# MVS42



| TIPO<br>TYPE           | DIMENSIONI mm- DIMENSIONS mm |     |      |     |         |     |     | DIMENSIONI<br>DIMENSIONS<br>mm |     |      | PESO<br>WEIGHT<br>Kg |       |
|------------------------|------------------------------|-----|------|-----|---------|-----|-----|--------------------------------|-----|------|----------------------|-------|
|                        | A                            | H   | B1   | B2  | B1 + B2 | D1  | D2  | FLANGIA<br>FLANGE              | P   | L    |                      | H     |
| Trifase<br>Three-phase |                              |     |      |     |         |     |     |                                |     |      |                      |       |
| MVSt 42-2              | 365                          | 140 | 641  | 430 | 1071    | 260 | 208 | DN 80 3"                       | 417 | 1215 | 445                  | 138,1 |
| MVSt 42-3              | 365                          | 140 | 826  | 490 | 1316    | 330 | 255 | DN 80 3"                       | 515 | 1515 | 493                  | 225   |
| MVSt 42-4              | 365                          | 140 | 906  | 490 | 1396    | 330 | 255 | DN 80 3"                       | 515 | 1515 | 493                  | 239   |
| MVSt 42-5              | 365                          | 140 | 986  | 550 | 1536    | 330 | 255 | DN 80 3"                       | 515 | 1715 | 490                  | 261,5 |
| MVSt 42-6              | 365                          | 140 | 1066 | 590 | 1656    | 360 | 285 | DN 80 3"                       | 615 | 1965 | 545                  | 301   |
| MVSt 42-8              | 365                          | 140 | 1226 | 660 | 1886    | 400 | 310 | DN 80 3"                       | 615 | 1965 | 545                  | 391   |

**ELETTROPOMPE VERTICALI MULTISTADIO ACCIAIO INOX - VERTICAL MULTISTAGE STAINLESS STEEL PUMPS**

**APPLICAZIONI**

Elettropompe universali per applicazioni civili ed industriali, per impianti di lavaggio ad alta pressione, per l'irrigazione, l'agricoltura, impianti sportivi, per fontane e per movimentazione di liquidi moderatamente aggressivi privi di sostanze solide o abrasive.

**LIMITI D'IMPIEGO**

- Temperatura liquido fino a 35°C (per un uso domestico secondo EN 60335-2-41)
- Temperatura max. liquido: 110°C (per altri impieghi)
- Temperatura ambiente fino a 40° C

**MOTORE**

- Trifase 230/400V-50Hz P2 ≤ 7,5 kW
- Trifase 400/690V-50Hz P2 > 7,5 kW
- Motore elettrico ad induzione a 2 poli (n = 2900 min<sup>-1</sup>)
- Isolamento Classe F
- Protezione IP 55

**MATERIALI**

- Corpo aspirazione Acciaio Inox AISI 304
- Corpo mandata Acciaio Inox AISI 304
- Girante Acciaio Inox AISI 304
- Camicia pompa Acciaio Inox AISI 304
- Coperchio superiore Acciaio Inox AISI 304
- Coperchio inferiore Acciaio Inox AISI 304
- Albero motore Acciaio Inox AISI 304
- Tenute meccaniche Silicio/Silicio/Viton

**OPERATING CONDITIONS**

- Liquid temperature up to 35°C (for home use according to EN 60335-2-41)
- Temperature max. liquid: 110°C (for other uses)
- Ambient temperature max to 40°C

**MOTOR**

- Three-phase 230/400V-50Hz P2 ≤ 7,5 kW
- Three-phase 400/690V-50Hz P2 > 7,5 kW
- Two-pole electric standard motor (n = 2900 min<sup>-1</sup>)
- Insulation Class F
- Protection IP 55

**MATERIALS**

- Suction casing Stainless Steel AISI 304
- Delivery casing Stainless Steel AISI 304
- Impeller Stainless Steel AISI 304
- External jacket Stainless Steel AISI 304
- Upper cover Stainless Steel AISI 304
- Lower cover Stainless Steel AISI 304
- Pump shaft Stainless Steel AISI 304
- Mechanical seal Silicon/Silicon/Viton

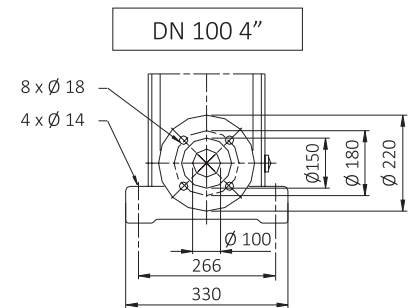
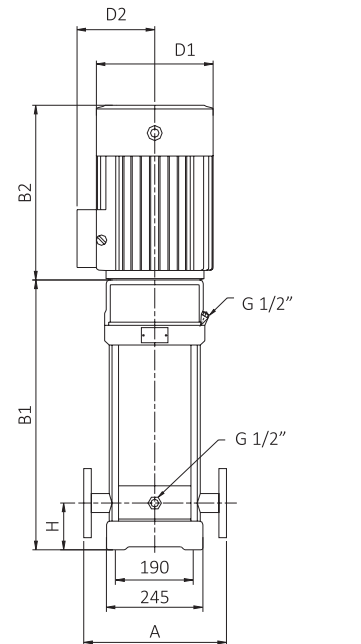
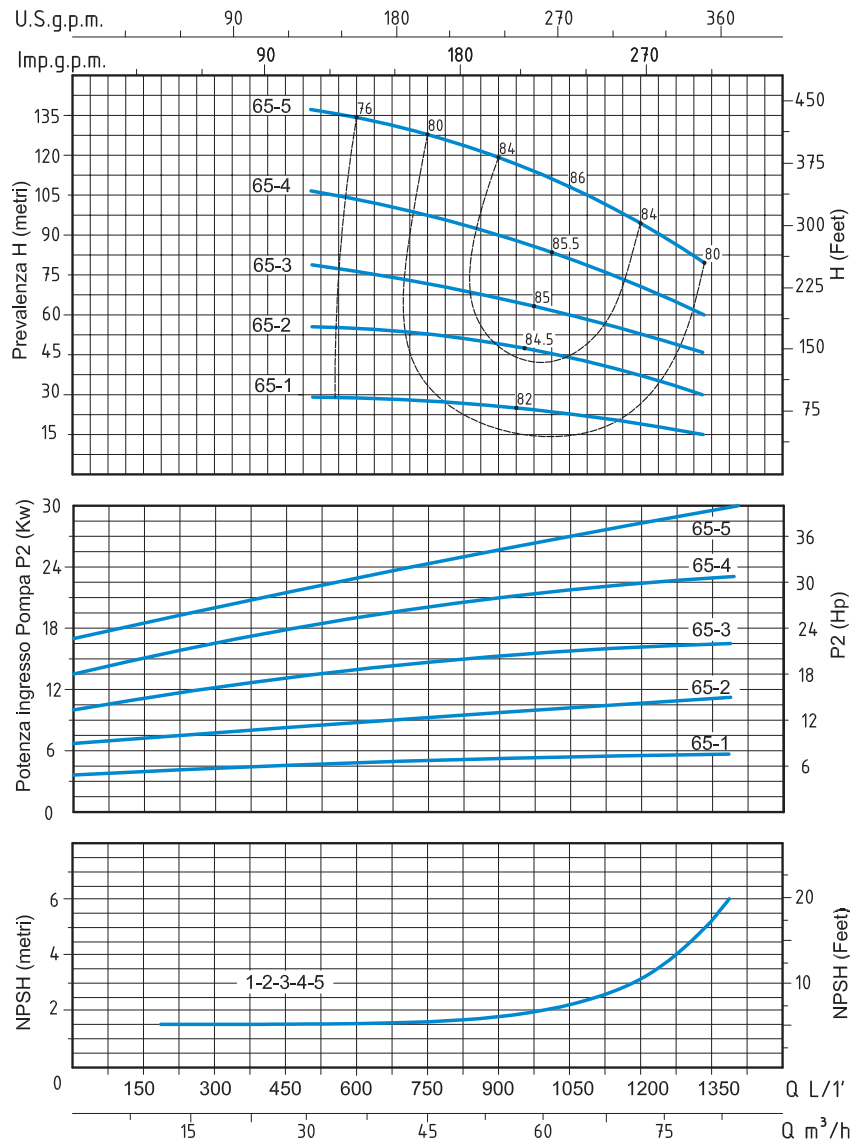
**APPLICATION**

Universal pumps for domestic or municipal water supply systems, for clean non-explosive liquids without solid or abrasive substances, for agricultural irrigation and sports application, for civil and industrial use, boiler feeding and condensate systems and for high pressure washing plants.



| MVS 65 - 50 HZ - 3 PHASE |   |      |                        |   |                   |      |      |      |     |     |      |      |      |      |
|--------------------------|---|------|------------------------|---|-------------------|------|------|------|-----|-----|------|------|------|------|
| TIPO<br>TYPE             | POTENZA<br>NOMINALE<br>NOMINAL<br>POWER |      | AMPERE                 | Q = PORTATA - CAPACITY  |                   |      |      |      |     |     |      |      |      |      |
|                          | P2                                      |      |                        | Trifase<br>Three-phase  | m <sup>3</sup> /h | 30   | 32   | 36   | 42  | 45  | 50   | 55   | 65   | 70   |
| Trifase<br>Three-phase   | HP                                      | kW   | Trifase<br>Three-phase |   | lt/1'             | 500  | 573  | 600  | 700 | 750 | 832  | 916  | 1083 | 1166 |
|                          |   |      |                        | Prevalenza manometrica totale in m.C.A. - Total head in meters w.c. |                   |      |      |      |     |     |      |      |      |      |
| MVSt 65-1                | 7,5                                     | 5,5  | 10,7                   | H<br>(m)  | 27                | 25,5 | 24,5 | 23,5 | 23  | 22  | 21,5 | 19,5 | 18,5 | 15   |
| MVSt 65-2                | 15                                      | 11   | 19,4                   |   | 53                | 51   | 50   | 48   | 47  | 46  | 45   | 41   | 39   | 30   |
| MVSt 65-3                | 25                                      | 18,5 | 27,5                   |   | 80                | 77   | 75   | 73   | 72  | 70  | 67   | 62   | 58   | 46   |
| MVSt 65-4                | 30                                      | 22   | 37                     |   | 107               | 103  | 101  | 98   | 96  | 93  | 90   | 83   | 79   | 61   |
| MVSt 65-5                | 40                                      | 30   | 48,5                   |   | 136               | 133  | 131  | 127  | 125 | 121 | 117  | 107  | 103  | 78   |

# MVS65



| TIPO<br>TYPE           | DIMENSIONI mm - DIMENSIONS mm |     |      |     |         |     |     | FLANGIA<br>FLANGE | DIMENSIONI<br>DIMENSIONS<br>mm |      |     | PESO<br>WEIGHT<br>Kg |
|------------------------|-------------------------------|-----|------|-----|---------|-----|-----|-------------------|--------------------------------|------|-----|----------------------|
|                        | A                             | H   | B1   | B2  | B1 + B2 | D1  | D2  |                   | P                              | L    | H   |                      |
| Trifase<br>Three-phase |                               |     |      |     |         |     |     |                   |                                |      |     |                      |
| MVSt 65-1              | 365                           | 140 | 561  | 430 | 991     | 260 | 208 | DN 100 4"         | 417                            | 1215 | 445 | 128,7                |
| MVSt 65-2              | 365                           | 140 | 754  | 490 | 1244    | 330 | 255 | DN 100 4"         | 515                            | 1515 | 493 | 182                  |
| MVSt 65-3              | 365                           | 140 | 836  | 550 | 1386    | 330 | 255 | DN 100 4"         | 515                            | 1515 | 493 | 248                  |
| MVSt 65-4              | 365                           | 140 | 919  | 590 | 1509    | 360 | 285 | DN 100 4"         | 515                            | 1515 | 493 | 285                  |
| MVSt 65-5              | 365                           | 140 | 1001 | 660 | 1661    | 400 | 310 | DN 100 4"         | 515                            | 1715 | 490 | 345                  |



**ELETTROPOMPE VERTICALI MULTISTADIO ACCIAIO INOX - VERTICAL MULTISTAGE STAINLESS STEEL PUMPS**

**APPLICAZIONI**

Elettropompe universali per applicazioni civili ed industriali, per impianti di lavaggio ad alta pressione, per l'irrigazione, l'agricoltura, impianti sportivi, per fontane e per movimentazione di liquidi moderatamente aggressivi privi di sostanze solide o abrasive.

**LIMITI D'IMPIEGO**

- Temperatura liquido fino a 35°C (per un uso domestico secondo EN 60335-2-41)
- Temperatura max. liquido: 110°C (per altri impieghi)
- Temperatura ambiente fino a 40° C

**MOTORE**

- Trifase 230/400V-50Hz P2 ≤ 7,5 kW
- Trifase 400/690V-50Hz P2 > 7,5 kW
- Motore elettrico ad induzione a 2 poli (n = 2900 min<sup>-1</sup>)
- Isolamento Classe F
- Protezione IP 55

**MATERIALI**

- Corpo aspirazione Acciaio Inox AISI 304
- Corpo mandata Acciaio Inox AISI 304
- Girante Acciaio Inox AISI 304
- Camicia pompa Acciaio Inox AISI 304
- Coperchio superiore Acciaio Inox AISI 304
- Coperchio inferiore Acciaio Inox AISI 304
- Albero motore Acciaio Inox AISI 304
- Tenute meccaniche Silicio/Silicio/Viton

**OPERATING CONDITIONS**

- Liquid temperature up to 35°C (for home use according to EN 60335-2-41)
- Temperature max. liquid: 110°C (for other uses)
- Ambient temperature max to 40°C

**MOTOR**

- Three-phase 230/400V-50Hz P2 ≤ 7,5 kW
- Three-phase 400/690V-50Hz P2 > 7,5 kW
- Two-pole electric standard motor (n = 2900 min<sup>-1</sup>)
- Insulation Class F
- Protection IP 55

**MATERIALS**

- Suction casing Stainless Steel AISI 304
- Delivery casing Stainless Steel AISI 304
- Impeller Stainless Steel AISI 304
- External jacket Stainless Steel AISI 304
- Upper cover Stainless Steel AISI 304
- Lower cover Stainless Steel AISI 304
- Pump shaft Stainless Steel AISI 304
- Mechanical seal Silicon/Silicon/Viton

**APPLICATION**

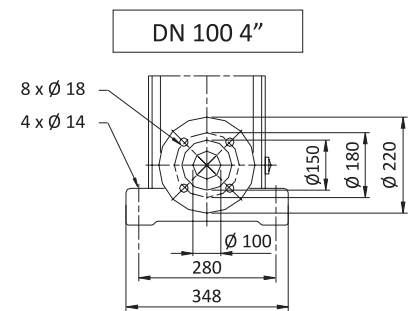
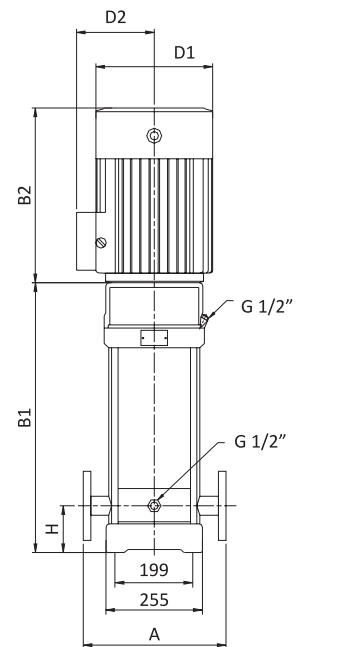
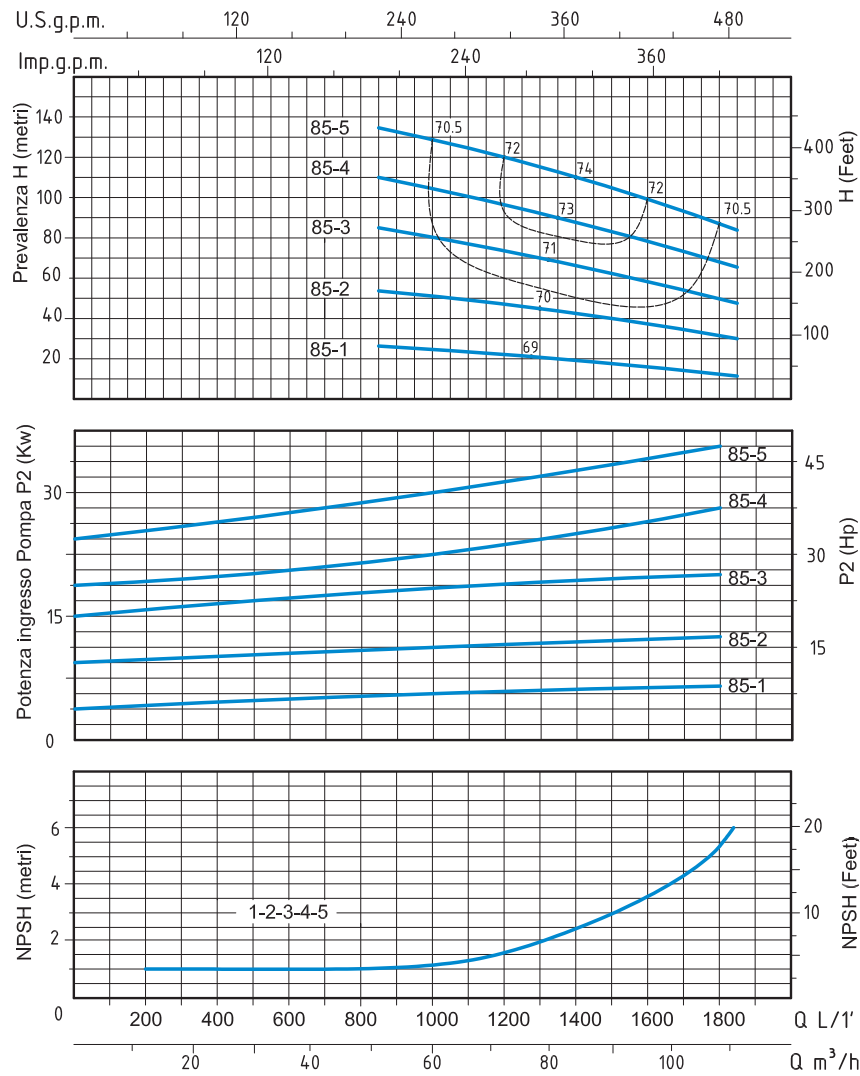
Universal pumps for domestic or municipal water supply systems, for clean non-explosive liquids without solid or abrasive substances, for agricultural irrigation and sports application, for civil and industrial use, boiler feeding and condensate systems and for high pressure washing plants.



**MVS 85 - 50 HZ - 3 PHASE**

| TIPO<br>TYPE           | POTENZA<br>NOMINALE<br>NOMINAL<br>POWER                             |     | AMPERE                 | Q = PORTATA - CAPACITY |     |     |     |     |     |     |     |     |
|------------------------|---|-----|------------------------|------------------------|-----|-----|-----|-----|-----|-----|-----|-----|
|                        | P2  |     |                        | m <sup>3</sup> /h      | 50  | 60  | 70  | 80  | 85  | 90  | 100 | 110 |
| Trifase<br>Three-phase | HP  | kW  | Trifase<br>Three-phase |                        |     |     |     |     |     |     |     |     |
|                        | Prevalenza manometrica totale in m.C.A. - Total head in meters w.c. |     |                        |                        |     |     |     |     |     |     |     |     |
| MVSt 85-1              | 10  | 7,5 | 14,5                   | H<br>(m)               | 25  | 24  | 22  | 21  | 20  | 19  | 16  | 12  |
| MVSt 85-2              | 20  | 15  | 27                     |                        | 53  | 50  | 47  | 44  | 41  | 40  | 36  | 30  |
| MVSt 85-3              | 30  | 22  | 37                     |                        | 81  | 77  | 72  | 67  | 64  | 62  | 55  | 48  |
| MVSt 85-4              | 40  | 30  | 51                     |                        | 110 | 105 | 100 | 92  | 86  | 84  | 76  | 66  |
| MVSt 85-5              | 50  | 37  | 65                     |                        | 139 | 131 | 124 | 115 | 110 | 106 | 94  | 83  |

# MVS85



| TIPO<br>TYPE           | DIMENSIONI mm - DIMENSIONS mm |     |      |     |         |     |     | DIMENSIONI<br>DIMENSIONS<br>mm |     |      | PESO<br>WEIGHT<br>Kg |     |
|------------------------|-------------------------------|-----|------|-----|---------|-----|-----|--------------------------------|-----|------|----------------------|-----|
|                        | A                             | H   | B1   | B2  | B1 + B2 | D1  | D2  | FLANGIA<br>FLANGE              | P   | L    |                      | H   |
| Trifase<br>Three-phase |                               |     |      |     |         |     |     |                                |     |      |                      |     |
| MVSt 85-1              | 380                           | 140 | 571  | 390 | 961     | 260 | 208 | DN 100 4"                      | 417 | 1215 | 445                  | 110 |
| MVSt 85-2              | 380                           | 140 | 773  | 500 | 1273    | 330 | 255 | DN 100 4"                      | 515 | 1515 | 493                  | 192 |
| MVSt 85-3              | 380                           | 140 | 865  | 575 | 1440    | 360 | 285 | DN 100 4"                      | 515 | 1515 | 493                  | 252 |
| MVSt 85-4              | 380                           | 140 | 957  | 650 | 1607    | 400 | 310 | DN 100 4"                      | 515 | 1715 | 490                  | 312 |
| MVSt 85-5              | 380                           | 140 | 1049 | 650 | 1699    | 400 | 310 | DN 100 4"                      | 515 | 1715 | 490                  | 336 |