



Eurovacuum EV Series

Single Stage Oil Sealed Rotary Vane Pump

TYPE EV-0010

Technical Data		TYPE EV-0010	
		50 Hz	60 Hz
Nominal displacement	m ³ /h	10	12
Ultimate pressure NM type	mbar	2	2
L type	mbar	20	20
Motor power	kW	0,4	0,4
Nominal speed	rpm	1450	1740
Noise level	dB(A)	57	59
Operating temperature	°C	77	77
Oil capacity	ltr	0,5	0,5
Weight	kg	20	20
Admissible ambient temp.	°C	10 to 40	10 to 40
Connection	Inlet	G(BSP) ½"	½"
	Outlet	G(BSP) ½"	½"

Ordering Information	TYPE EV-0010	
	50 Hz	60 Hz
NM version (2 mbar) Single phase motor 230V, 50/60 Hz (IEC)	101.100	101.100
Three phase motor 400V, 50Hz (IEC)	101.101	101.102
400V, 60Hz (IEC)		101.103
400V, 60Hz (NEMA)		
L version (20 mbar) Single phase motor 230V, 50/60 Hz (IEC)	101.200	101.200
Three phase motor 400V, 50Hz (IEC)	101.201	101.202
400V, 60Hz (IEC)		101.203
400V, 60Hz (NEMA)		
Other Voltages/Frequencies	Upon request	
Filling with special oil	Upon request	
Exhaust filter cartridge	02120	
Gasket set	02490	
Maintenance kit	02500	
Pump module	02900	
Inlet dust filter, paper cartridge	02800	

TYPE EV-0016

Technical Data		TYPE EV-0016	
		50 Hz	60 Hz
Nominal displacement	m ³ /h	16	19
Ultimate pressure NM type	mbar	2	2
L type	mbar	20	20
Motor power	kW	0,75	0,75
Nominal speed	rpm	1450	1740
Noise level	dB(A)	58	60
Operating temperature	°C	80	80
Oil capacity	ltr	0,5	0,5
Weight	kg	22	22
Admissible ambient temp.	°C	10 to 40	10 to 40
Connection	Inlet	G(BSP) ½"	½"
	Outlet	G(BSP) ½"	½"

Ordering Information	TYPE EV-0016		
	50 Hz	60 Hz	
NM version (2 mbar) Single phase motor 230V, 50/60 Hz (IEC)	102.100	102.100	
Three phase motor 400V, 50Hz (IEC) 400V, 60Hz (IEC) 400V, 60Hz (NEMA)	102.101	102.102 102.103	
	L version (20 mbar) Single phase motor 230V, 50/60 Hz (IEC)	102.200	102.200
		Three phase motor 400V, 50Hz (IEC) 400V, 60Hz (IEC) 400V, 60Hz (NEMA)	102.201
Other Voltages/Frequencies	Upon request		
Filling with special oil	Upon request		
Exhaust filter cartridge	02120		
Gasket set	02490		
Maintenance kit	02500		
Pump module	02900		
Inlet dust filter, paper cartridge	02800		

TYPE EV-0021

Technical Data		TYPE EV-0021	
		50 Hz	60 Hz
Nominal displacement	m ³ /h	20	24
Ultimate pressure NM type	mbar	2	2
L type	mbar	20	20
Motor power	kW	0,9	0,9
Nominal speed	rpm	2870	3480
Noise level	dB(A)	60	62
Operating temperature	°C	85	85
Oil capacity	ltr	0,5	0,5
Weight	kg	20	20
Admissible ambient temp.	°C	10 to 40	10 to 40
Connection	Inlet	G(BSP)	½"
	Outlet	G(BSP)	½"

Ordering Information	TYPE EV-0021	
	50 Hz	60 Hz
NM version (2 mbar) Single phase motor 230V, 50/60 Hz (IEC)	103.100	103.100
Three phase motor 400V, 50Hz (IEC)	103.101	103.102
400V, 60Hz (IEC)		103.103
400V, 60Hz (NEMA)		
L version (20 mbar) Single phase motor 230V, 50/60 Hz (IEC)	103.200	103.200
Three phase motor 400V, 50Hz (IEC)	103.201	103.202
400V, 60Hz (IEC)		103.203
400V, 60Hz (NEMA)		
Other Voltages/Frequencies	Upon request	
Filling with special oil	Upon request	
Exhaust filter cartridge	02120	
Gasket set	02490	
Maintenance kit	02500	
Pump module	02900	
Inlet dust filter, paper cartridge	02800	

TYPE EV-0030

Technical Data			TYPE EV-0030	
			50 Hz	60 Hz
Nominal displacement	m ³ /h	30	36	
Ultimate pressure	N type	0,5	0,5	
	NM type	2	2	
	L type	20	20	
Motor power	kW	1,5	1,5	
Nominal speed	rpm	1450	1740	
Noise level	dB(A)	64	67	
Operating temperature	°C	76	76	
Oil capacity	ltr	1,0	1,0	
Weight	kg	47	47	
Admissible ambient temp.	°C	10 to 40	10 to 40	
Connection	Inlet	G(BSP)	1¼"	
	Outlet	G(BSP)	1¼"	

Ordering Information		TYPE EV-0030	
		50 Hz	60 Hz
N version (0,5 mbar) Single phase motor 230V, 50/60 Hz (IEC) Three phase motor 400V, 50Hz (IEC) 400V, 60Hz (IEC) 400V, 60Hz (NEMA)		104.000	104.000
		104.001	104.002 104.003
NM version (2 mbar) Single phase motor 230V, 50/60 Hz (IEC) Three phase motor 400V, 50Hz (IEC) 400V, 60Hz (IEC) 400V, 60Hz (NEMA)		104.100	104.100
		104.101	104.102 104.103
L version (20 mbar) Single phase motor 230V, 50/60 Hz (IEC) Three phase motor 400V, 50Hz (IEC) 400V, 60Hz (IEC) 400V, 60Hz (NEMA)		104.200	104.200
		104.201	104.202 104.203
Other Voltages/Frequencies	Upon request		
Filling with special oil	Upon request		
Exhaust filter cartridge	06120A		
Gasket set	06490		
Maintenance kit	06500		
Pump module	06900		
Inlet dust filter, paper cartridge	20800		

TYPE EV-0045

Technical Data		TYPE EV-0045	
		50 Hz	60 Hz
Nominal displacement	m ³ /h	45	54
Ultimate pressure N type	mbar	0,5	0,5
NM type	mbar	2	2
L type	mbar	20	20
Motor power	kW	1,5	1,5
Nominal speed	rpm	1450	1740
Noise level	dB(A)	64	67
Operating temperature	°C	78	78
Oil capacity	ltr	1,0	1,0
Weight	kg	53	53
Admissible ambient temp.	°C	10 to 40	10 to 40
Connection	Inlet	G(BSP)	1¼"
	Outlet	G(BSP)	1¼"

Ordering Information	TYPE EV-0045	
	50 Hz	60 Hz
N version (0,5 mbar) Single phase motor 230V, 50/60 Hz (IEC) Three phase motor 400V, 50Hz (IEC) 400V, 60Hz (IEC) 400V, 60Hz (NEMA)	105.000 105.001	105.000 105.002 105.003
NM version (2 mbar) Single phase motor 230V, 50/60 Hz (IEC) Three phase motor 400V, 50Hz (IEC) 400V, 60Hz (IEC) 400V, 60Hz (NEMA)	105.100 105.101	105.100 105.102 105.103
L version (20 mbar) Single phase motor 230V, 50/60 Hz (IEC) Three phase motor 400V, 50Hz (IEC) 400V, 60Hz (IEC) 400V, 60Hz (NEMA)	105.200 105.201	105.200 105.202 105.203
Other Voltages/Frequencies	Upon request	
Filling with special oil	Upon request	
Exhaust filter cartridge	20120A	
Gasket set	06490	
Maintenance kit	09500	
Pump module	09900	
Inlet dust filter, paper cartridge	20800	

TYPE EV-0065

Technical Data		TYPE EV-0065	
		50 Hz	60 Hz
Nominal displacement	m ³ /h	65	78
Ultimate pressure N type	mbar	0,5	0,5
NM type	mbar	2	2
L type	mbar	20	20
Motor power	kW	2,2	2,2
Nominal speed	rpm	1450	1740
Noise level	dB(A)	65	68
Operating temperature	°C	85	85
Oil capacity	ltr	2,0	2,0
Weight	kg	66	66
Admissible ambient temp.	°C	10 to 40	10 to 40
Connection	Inlet	G(BSP)	1¼"
	Outlet	G(BSP)	1¼"

Ordering Information	TYPE EV-0065	
	50 Hz	60 Hz
N version (0,5 mbar) Three phase motor 400V, 50Hz (IEC) 400V, 60Hz (IEC) 400V, 60Hz (NEMA)	106.001	106.002 106.003
NM version (2 mbar) Three phase motor 400V, 50Hz (IEC) 400V, 60Hz (IEC) 400V, 60Hz (NEMA)	106.101	106.102 106.103
L version (20 mbar) Three phase motor 400V, 50Hz (IEC) 400V, 60Hz (IEC) 400V, 60Hz (NEMA)	106.201	106.202 106.203
Other Voltages/Frequencies	Upon request	
Filling with special oil	Upon request	
Exhaust filter cartridge	20120A	
Gasket set	20490	
Maintenance kit	13500	
Pump module	13900	
Inlet dust filter, paper cartridge	20800	

TYPE EV-0100

Technical Data		TYPE EV-0100	
		50 Hz	60 Hz
Nominal displacement	m ³ /h	100	120
Ultimate pressure N type	mbar	0,5	0,5
NM type	mbar	2	2
L type	mbar	20	20
Motor power	kW	3,0	3,0
Nominal speed	rpm	1450	1740
Noise level	dB(A)	65	68
Operating temperature	°C	85	85
Oil capacity	ltr	2,0	2,0
Weight	kg	75	75
Admissible ambient temp.	°C	10 to 40	10 to 40
Connection	Inlet	G(BSP)	1¼"
	Outlet	G(BSP)	1¼"

Ordering Information	TYPE EV-0100	
	50 Hz	60 Hz
N version (0,5 mbar) Three phase motor 400V, 50Hz (IEC) 400V, 60Hz (IEC) 400V, 60Hz (NEMA)	107.001	107.002 107.003
NM version (2 mbar) Three phase motor 400V, 50Hz (IEC) 400V, 60Hz (IEC) 400V, 60Hz (NEMA)	107.101	107.102 107.103
L version (20 mbar) Three phase motor 400V, 50Hz (IEC) 400V, 60Hz (IEC) 400V, 60Hz (NEMA)	107.201	107.202 107.203
Other Voltages/Frequencies	Upon request	
Filling with special oil	Upon request	
Exhaust filter cartridge	20120A	
Gasket set	20490	
Maintenance kit	20500	
Pump module	20900	
Inlet dust filter, paper cartridge	20800	

TYPE EV-0160

Technical Data		TYPE EV-0160	
		50 Hz	60 Hz
Nominal displacement	m ³ /h	160	120
Ultimate pressure N type	mbar	0,5	0,5
L type	mbar	20	20
Motor power	kW	3,7	3,7
Nominal speed	rpm	1450	1740
Noise level	dB(A)	74	77
Operating temperature	°C	85	85
Oil capacity	ltr	5,0	5,0
Weight	kg	124	124
Admissible ambient temp.	°C	10 to 40	10 to 40
Connection	Inlet	G(BSP)	2"
	Outlet	G(BSP)	1½"

Ordering Information	TYPE EV-0160	
	50 Hz	60 Hz
N version (0,5 mbar) Three phase motor 400V, 50Hz (IEC) 400V, 60Hz (IEC) 400V, 60Hz (NEMA)	108.001	108.002 108.003
L version (20 mbar) Three phase motor 400V, 50Hz (IEC) 400V, 60Hz (IEC) 400V, 60Hz (NEMA)	108.201	108.202 108.203
Other Voltages/Frequencies	Upon request	
Filling with special oil	Upon request	
Exhaust filter cartridge	43120	
Gasket set	32490	
Maintenance kit	32500	
Pump module	32900	
Inlet dust filter, paper cartridge	50800	

TYPE EV-0175

Technical Data		TYPE EV-0175	
		50 Hz	60 Hz
Nominal displacement	m ³ /h	175	210
Ultimate pressure N type	mbar	0,5	0,5
NM type	mbar	2	2
L type	mbar	20	20
Motor power	kW	5,5	5,5
Nominal speed	rpm	1450	1740
Noise level	dB(A)	74	77
Operating temperature	°C	85	85
Oil capacity	ltr	7,0	7,0
Weight	kg	164	164
Admissible ambient temp.	°C	10 to 40	10 to 40
Connection Inlet	G(BSP)	2"	2"
Outlet	G(BSP)	2"	2"

Ordering Information	TYPE EV-0175	
	50 Hz	60 Hz
N version (0,5 mbar) Three phase motor 400V, 50Hz (IEC) 400V, 60Hz (IEC) 400V, 60Hz (NEMA)	109.001	109.002 109.003
NM version (2 mbar) Three phase motor 400V, 50Hz (IEC) 400V, 60Hz (IEC) 400V, 60Hz (NEMA)	109.101	109.102 109.103
L version (20 mbar) Three phase motor 400V, 50Hz (IEC) 400V, 60Hz (IEC) 400V, 60Hz (NEMA)	109.201	109.202 109.203
Other Voltages/Frequencies	Upon request	
Filling with special oil	Upon request	
Exhaust filter cartridge	50120	
Gasket set	50490	
Maintenance kit	35500	
Pump module	35900	
Inlet dust filter, paper cartridge	50800	

TYPE EV-0215

Technical Data		TYPE EV-0215	
		50 Hz	60 Hz
Nominal displacement	m ³ /h	215	258
Ultimate pressure N type	mbar	0,5	0,5
L type	mbar	20	20
Motor power	kW	5,5	5,5
Nominal speed	rpm	1450	1740
Noise level	dB(A)	74	77
Operating temperature	°C	85	85
Oil capacity	ltr	5,0	5,0
Weight	kg	145	145
Admissible ambient temp.	°C	10 to 40	10 to 40
Connection	Inlet	G(BSP) 2"	2"
	Outlet	G(BSP) 1½"	1½"

Ordering Information	TYPE EV-0215	
	50 Hz	60 Hz
N version (0,5 mbar) Three phase motor 400V, 50Hz (IEC) 400V, 60Hz (IEC) 400V, 60Hz (NEMA)	110.001	110.002 110.003
L version (20 mbar) Three phase motor 400V, 50Hz (IEC) 400V, 60Hz (IEC) 400V, 60Hz (NEMA)	110.201	110.202 110.203
Other Voltages/Frequencies	Upon request	
Filling with special oil	Upon request	
Exhaust filter cartridge	43120	
Gasket set	43490	
Maintenance kit	43500	
Pump module	43900	
Inlet dust filter, paper cartridge	50800	

TYPE EV-0250

Technical Data		TYPE EV-0250	
		50 Hz	60 Hz
Nominal displacement	m ³ /h	250	300
Ultimate pressure N type	mbar	0,5	0,5
NM type	mbar	2	2
L type	mbar	20	20
Motor power	kW	7,5	7,5
Nominal speed	rpm	1450	1740
Noise level	dB(A)	74	77
Operating temperature	°C	85	85
Oil capacity	ltr	7,0	7,0
Weight	kg	184	184
Admissible ambient temp.	°C	10 to 40	10 to 40
Connection Inlet	G(BSP)	2"	2"
Outlet	G(BSP)	2"	2"

Ordering Information	TYPE EV-0250	
	50 Hz	60 Hz
N version (0,5 mbar) Three phase motor 400V, 50Hz (IEC) 400V, 60Hz (IEC) 400V, 60Hz (NEMA)	111.001	111.002 111.003
NM version (2 mbar) Three phase motor 400V, 50Hz (IEC) 400V, 60Hz (IEC) 400V, 60Hz (NEMA)	111.101	111.102 111.103
L version (20 mbar) Three phase motor 400V, 50Hz (IEC) 400V, 60Hz (IEC) 400V, 60Hz (NEMA)	111.201	111.202 111.203
Other Voltages/Frequencies	Upon request	
Filling with special oil	Upon request	
Exhaust filter cartridge	50120	
Gasket set	50490	
Maintenance kit	50500	
Pump module	50900	
Inlet dust filter, paper cartridge	50800	

TYPE EV-0300

Technical Data		TYPE EV-0300	
		50 Hz	60 Hz
Nominal displacement	m ³ /h	300	360
Ultimate pressure N type	mbar	0,5	0,5
NM type	mbar	2	2
L type	mbar	20	20
Motor power	kW	7,5	8,6
Nominal speed	rpm	1450	1740
Noise level	dB(A)	75	78
Operating temperature	°C	85	85
Oil capacity	ltr	7,0	7,0
Weight	kg	188	188
Admissible ambient temp.	°C	10 to 40	10 to 40
Connection	Inlet	G(BSP) 2"	2"
	Outlet	G(BSP) 2"	2"

Ordering Information	TYPE EV-0300	
	50 Hz	60 Hz
N version (0,5 mbar) Three phase motor 400V, 50Hz (IEC) 400V, 60Hz (IEC) 400V, 60Hz (NEMA)	112.001	112.002 112.003
NM version (2 mbar) Three phase motor 400V, 50Hz (IEC) 400V, 60Hz (IEC) 400V, 60Hz (NEMA)	112.101	112.102 112.103
L version (20 mbar) Three phase motor 400V, 50Hz (IEC) 400V, 60Hz (IEC) 400V, 60Hz (NEMA)	112.201	112.202 112.203
Other Voltages/Frequencies	Upon request	
Filling with special oil	Upon request	
Exhaust filter cartridge	50120	
Gasket set	50490	
Maintenance kit	50500	
Pump module	50900	
Inlet dust filter, paper cartridge	50800	

TYPE EV-0450

Technical Data			TYPE EV-0450	
			50 Hz	60 Hz
Nominal displacement	m ³ /h	448	560	
Ultimate pressure	N type	0,5	0,5	
	NM type	2	2	
	L type	20	20	
Motor power	kW	11,0	11,0	
Nominal speed	rpm	980	1160	
Noise level	dB(A)	76	78	
Operating temperature	°C	80	80	
Oil capacity	ltr	19,0	19,0	
Weight	kg	491	504	
Admissible ambient temp.	°C	10 to 40	10 to 40	
Connection	Inlet	G(BSP)	3"	
	Outlet	G(BSP)	3"	

Ordering Information		TYPE EV-0450	
		50 Hz	60 Hz
N version (0,5 mbar) Three phase motor 400V, 50Hz (IEC) 400V, 60Hz (IEC) 400V, 60Hz (NEMA)		113.001	113.002 113.003
NM version (2 mbar) Three phase motor 400V, 50Hz (IEC) 400V, 60Hz (IEC) 400V, 60Hz (NEMA)		113.101	113.102 113.103
L version (20 mbar) Three phase motor 400V, 50Hz (IEC) 400V, 60Hz (IEC) 400V, 60Hz (NEMA)		113.201	113.202 113.203
Other Voltages/Frequencies		Upon request	
Filling with special oil		Upon request	
Exhaust filter cartridge		120120	
Gasket set		120490	
Maintenance kit		080500	
Pump module		080900	
Inlet dust filter, paper cartridge		120800	

TYPE EV-0630

Technical Data			TYPE EV-0630	
			50 Hz	60 Hz
Nominal displacement	m ³ /h	630	780	
Ultimate pressure	N type	0,5	0,5	
	NM type	2	2	
	L type	20	20	
Motor power	kW	15,0	18,5	
Nominal speed	rpm	980	1160	
Noise level	dB(A)	77	79	
Operating temperature	°C	80	80	
Oil capacity	ltr	19,0	19,0	
Weight	kg	582	703	
Admissible ambient temp.	°C	10 to 40	10 to 40	
Connection	Inlet	G(BSP)	3"	
	Outlet	G(BSP)	3"	

Ordering Information	TYPE EV-0630	
	50 Hz	60 Hz
N version (0,5 mbar) Three phase motor 400V, 50Hz (IEC) 400V, 60Hz (IEC) 400V, 60Hz (NEMA)	114.001	114.002 114.003
NM version (2 mbar) Three phase motor 400V, 50Hz (IEC) 400V, 60Hz (IEC) 400V, 60Hz (NEMA)	114.101	114.102 114.103
L version (20 mbar) Three phase motor 400V, 50Hz (IEC) 400V, 60Hz (IEC) 400V, 60Hz (NEMA)	114.201	114.202 114.203
Other Voltages/Frequencies	Upon request	
Filling with special oil	Upon request	
Exhaust filter cartridge	120120	
Gasket set	120490	
Maintenance kit	120500	
Pump module	120900	
Inlet dust filter, paper cartridge	120800	



Eurovacuum EVD-VE Series

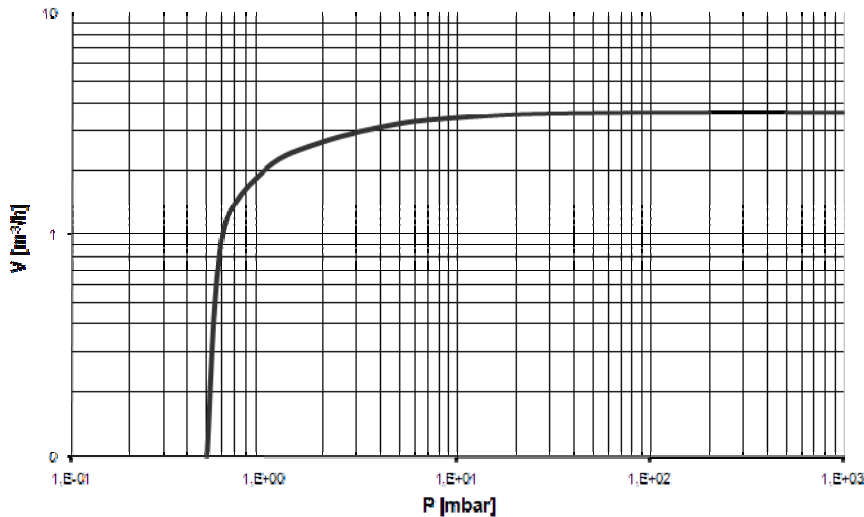
Single & Double Stage Oil Sealed Rotary Vane Pump

TYPE EVD-VE115SV

SV-version is with vacuum blocking valve and manometer



Pumping speed curve



Technical Data		TYPE EVD-VE115SV	
		50 Hz	60 Hz
Nominal displacement	m ³ /h	2,5	3,0
Ultimate pressure	mbar	0,05	0,05
Motor power	W	200	200
Oil capacity	ltr	0,3	0,3
Weight	kg	6,3	6,3
Admissible ambient temp.	°C	10 to 40	10 to 40
Connections	Flare	1/4"	1/4"
Dimensions LxWxH	mm	285x124x230	285x124x230

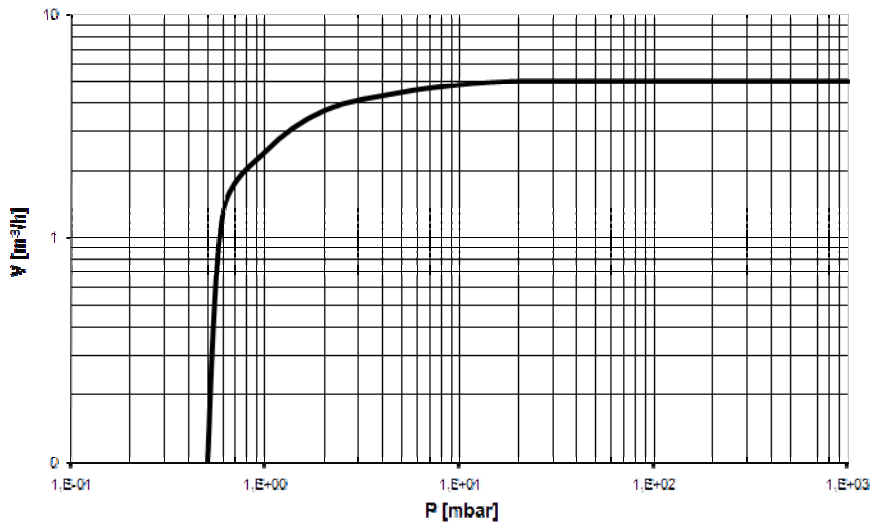
Ordering Information	EVD-VE115SV
Single phase motor 220-240V, 50/60 Hz (IEC)	440.010
Dual Voltage motor 220V, 50 Hz & 110V, 60 Hz	440.110
Exhaust filter	410.900
Accessories	See page 13

TYPE EVD-VE125SV

SV-version is with vacuum blocking valve and manometer



Pumping speed curve



Technical Data		TYPE EVD-VE125SV	
		50 Hz	60 Hz
Nominal displacement	m ³ /h	4,2	5,0
Ultimate pressure	mbar	0,05	0,05
Motor power	W	200	200
Oil capacity	ltr	0,3	0,3
Weight	kg	7,1	7,1
Admissible ambient temp.	°C	10 to 40	10 to 40
Connections	Flare	1/4"	1/4"
Dimensions LxWxH	mm	285x124x240	285x124x240

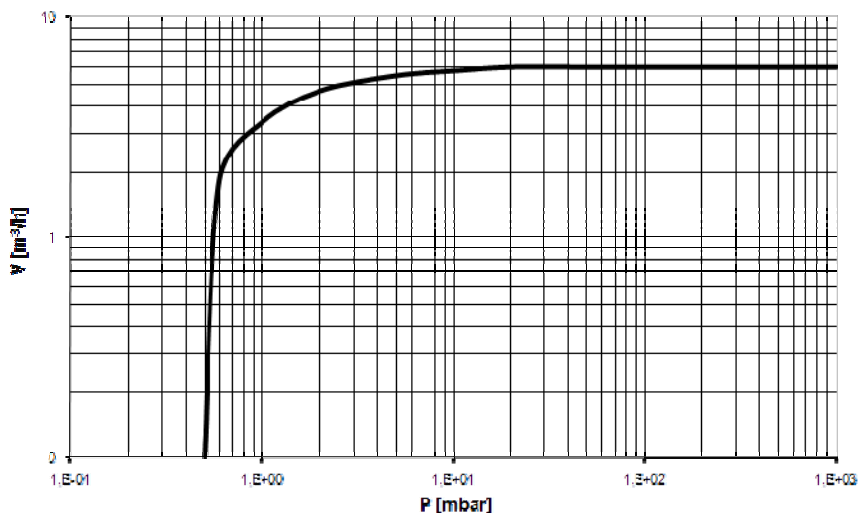
Ordering Information	EVD-VE125SV
Single phase motor 220-240V, 50/60 Hz (IEC)	441.010
Dual Voltage motor 220V, 50 Hz & 110V, 60 Hz	441.110
Exhaust filter	410.900
Accessories	See page 13

TYPE EVD-VE135SV

SV-version is with vacuum blocking valve and manometer



Pumping speed curve



Technical Data		TYPE EVD-VE135SV	
		50 Hz	60 Hz
Nominal displacement	m ³ /h	6,0	6,8
Ultimate pressure	mbar	0,05	0,05
Motor power	W	250	250
Oil capacity	ltr	0,3	0,3
Weight	kg	8,1	8,1
Admissible ambient temp.	°C	10 to 40	10 to 40
Connections	Flare	1/4" or 3/8"	1/4" or 3/8"
Dimensions LxWxH	mm	315x124x250	315x124x250

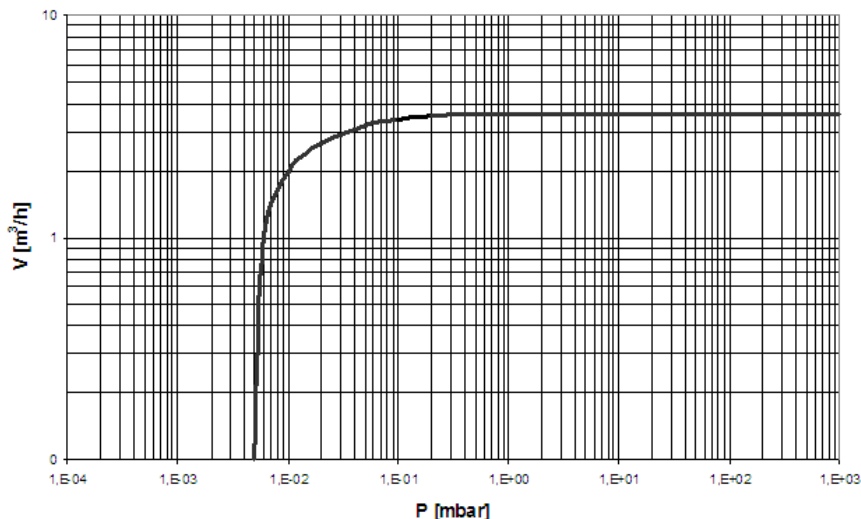
Ordering Information	EVD-VE135SV
Single phase motor 220-240V, 50/60 Hz (IEC)	442.010
Dual Voltage motor 220V, 50 Hz & 110V, 60 Hz	442.110
Exhaust filter	410.900
Accessories	See page 13

TYPE EVD-VE215

SV-version is with vacuum blocking valve and manometer



Pumping speed curve



Technical Data		TYPE EVD-VE215	
		50 Hz	60 Hz
Nominal displacement	m ³ /h	2,5	3,0
Ultimate pressure	mbar	3x10 ⁻³	3x10 ⁻³
Motor power	W	200	200
Oil capacity	ltr	0,2	0,2
Weight	kg	7,5	7,5
Admissible ambient temp.	°C	10 to 40	10 to 40
Connections	Flare	¼"	¼"
Dimensions LxWxH	mm	308x124x230	308x124x230

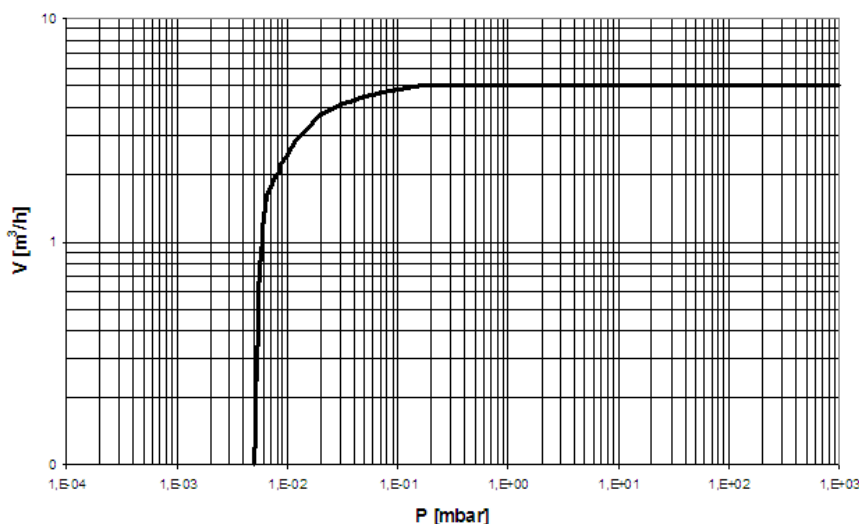
Ordering Information	EVD-VE215	EVD-VE215SV
Single phase motor 220-240V, 50/60 Hz (IEC)	410.000	410.010
Dual Voltage motor 220V, 50 Hz & 110V, 60 Hz	410.100	410.110
Exhaust filter	410.900	
Accessories	See page 13	

TYPE EVD-VE225

SV-version is with vacuum blocking valve and manometer



Pumping speed curve



Technical Data		TYPE EVD-VE225	
		50 Hz	60 Hz
Nominal displacement	m ³ /h	4,2	5,0
Ultimate pressure	mbar	3x10 ⁻³	3x10 ⁻³
Motor power	W	250	250
Oil capacity	ltr	0,25	0,25
Weight	kg	8,6	8,6
Admissible ambient temp.	°C	10 to 40	10 to 40
Connections	Flare	¼"	¼"
Dimensions LxWxH	mm	315x124x240	315x124x240

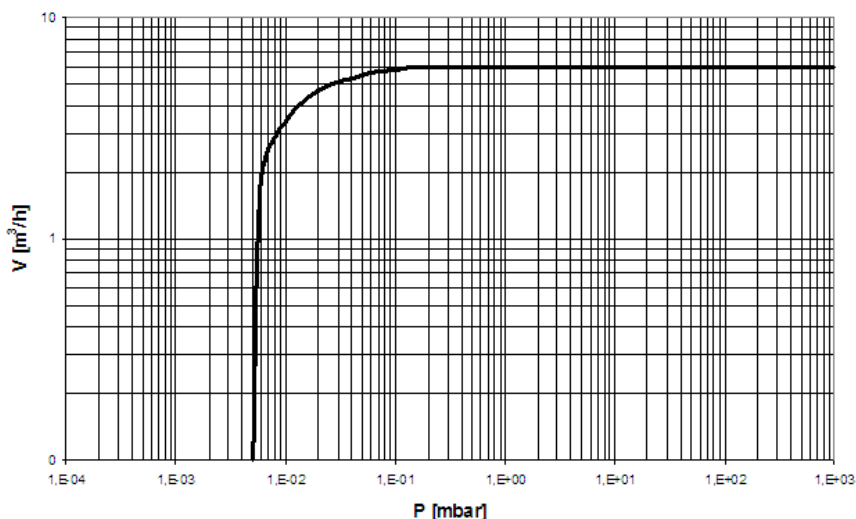
Ordering Information	EVD-VE225	EVD-VE225SV
Single phase motor 220-240V, 50/60 Hz (IEC)	411.000	411.010
Dual Voltage motor 220V, 50 Hz & 110V, 60 Hz	411.100	411.110
Exhaust filter	410.900	
Accessories	See page 13	

TYPE EVD-VE235

SV-version is with vacuum blocking valve and manometer



Pumping speed curve



Technical Data		TYPE EVD-VE235	
		50 Hz	60 Hz
Nominal displacement	m ³ /h	6,0	6,8
Ultimate pressure	mbar	3x10 ⁻³	3x10 ⁻³
Motor power	W	250	250
Oil capacity	ltr	0,35	0,35
Weight	kg	11,2	11,2
Admissible ambient temp.	°C	10 to 40	10 to 40
Connections	Flare	1/4" or 3/8"	1/4" or 3/8"
Dimensions LxWxH	mm	335x138x250	335x138x250

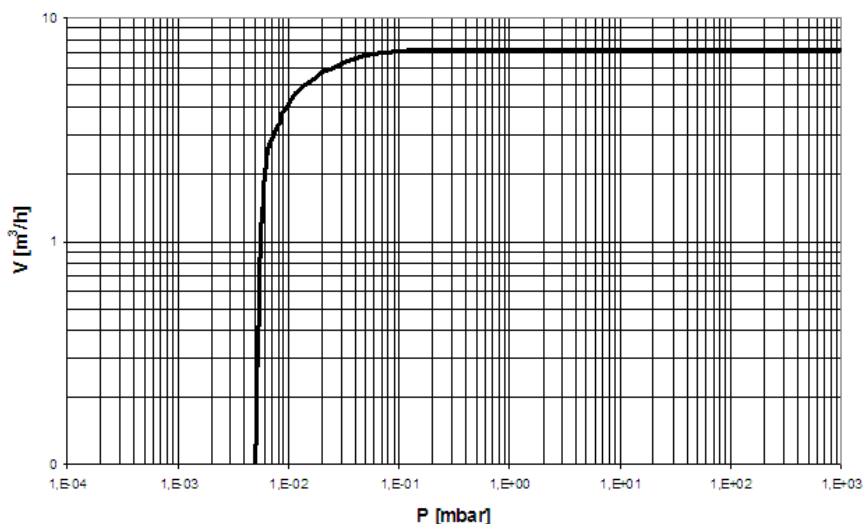
Ordering Information	EVD-VE235	EVD-VE235SV
Single phase motor 220-240V, 50/60 Hz (IEC)	412.000	412.010
Dual Voltage motor 220V, 50 Hz & 110V, 60 Hz	412.100	412.110
Exhaust filter	410.900	
Accessories	See page 13	

TYPE EVD-VE245

SV-version is with vacuum blocking valve and manometer



Pumping speed curve



Technical Data		TYPE EVD-VE245	
		50 Hz	60 Hz
Nominal displacement	m ³ /h	7,5	8,5
Ultimate pressure	mbar	3x10 ⁻³	3x10 ⁻³
Motor power	W	370	370
Oil capacity	ltr	0,33	0,33
Weight	kg	11,4	11,4
Admissible ambient temp.	°C	10 to 40	10 to 40
Connections	Flare	1/4" or 3/8"	1/4" or 3/8"
Dimensions LxWxH	mm	335x138x250	335x138x250

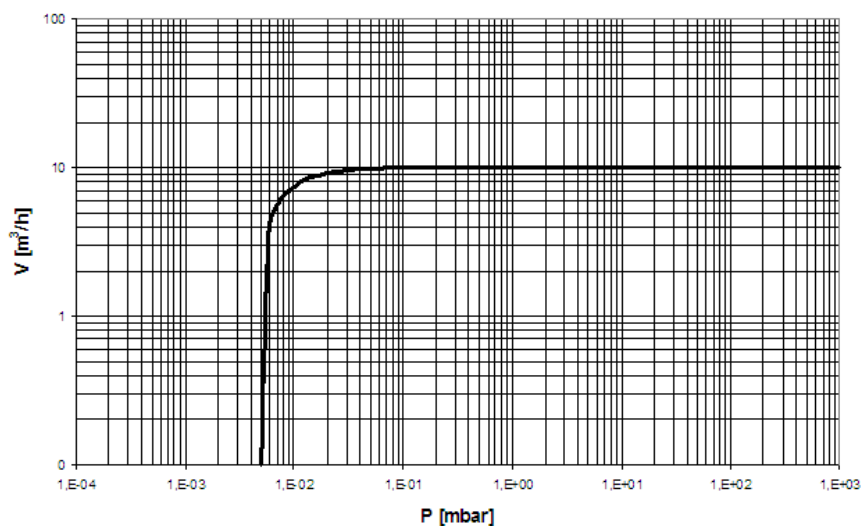
Ordering Information	EVD-VE245	EVD-VE245SV
Single phase motor 220-240V, 50/60 Hz (IEC)	413.000	413.010
Dual Voltage motor 220V, 50 Hz & 110V, 60 Hz	413.100	413.110
Exhaust filter	410.900	
Accessories	See page 13	

TYPE EVD-VE260

SV-version is with vacuum blocking valve and manometer



Pumping speed curve



Technical Data		TYPE EVD-VE260	
		50 Hz	60 Hz
Nominal displacement	m ³ /h	10,0	11,8
Ultimate pressure	mbar	3x10 ⁻³	3x10 ⁻³
Motor power	W	560	560
Oil capacity	ltr	0,7	0,7
Weight	kg	16,5	16,5
Admissible ambient temp.	°C	10 to 40	10 to 40
Connections	Flare	1/4" or 3/8"	1/4" or 3/8"
Dimensions LxWxH	mm	400x145x270	400x145x270

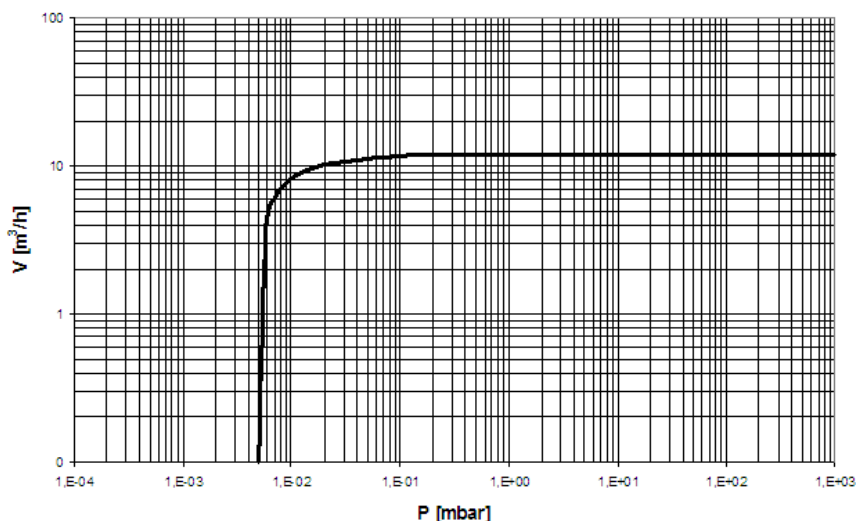
Ordering Information	EVD-VE260	EVD-VE260SV
Single phase motor 220-240V, 50/60 Hz (IEC)	414.000	414.010
Dual Voltage motor 220V, 50 Hz & 110V, 60 Hz	414.100	414.110
Exhaust filter	Upon request	
Accessories	See page 13	

TYPE EVD-VE280

SV-version is with vacuum blocking valve and manometer



Pumping speed curve



Technical Data		TYPE EVD-VE280	
		50 Hz	60 Hz
Nominal displacement	m ³ /h	13,5	15,0
Ultimate pressure	mbar	3x10 ⁻³	3x10 ⁻³
Motor power	W	750	750
Oil capacity	ltr	0,6	0,6
Weight	kg	16,7	16,7
Admissible ambient temp.	°C	10 to 40	10 to 40
Connections	Flare	1/4" or 3/8"	1/4" or 3/8"
Dimensions LxWxH	mm	400x145x270	400x145x270

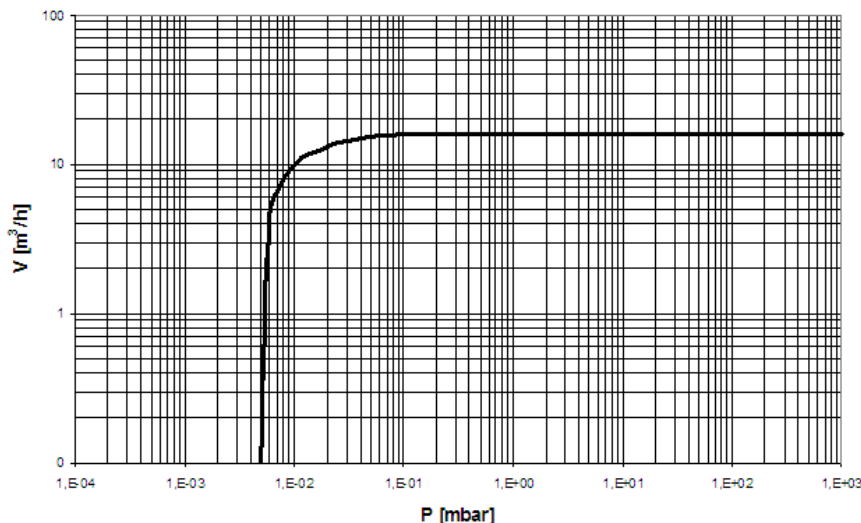
Ordering Information	EVD-VE280	EVD-VE280SV
Single phase motor 220-240V, 50/60 Hz (IEC)	415.000	415.010
Dual Voltage motor 220V, 50 Hz & 110V, 60 Hz	415.100	415.110
Exhaust filter	Upon request	
Accessories	See page 13	

TYPE EVD-VE2100

SV-version is with vacuum blocking valve and manometer



Pumping speed curve



Technical Data		TYPE EVD-VE2100	
		50 Hz	60 Hz
Nominal displacement	m ³ /h	17,0	20,5
Ultimate pressure	mbar	3x10 ⁻³	3x10 ⁻³
Motor power	W	750	750
Oil capacity	ltr	0,6	0,6
Weight	kg	16,7	16,7
Admissible ambient temp.	°C	10 to 40	10 to 40
Connections	Flare	1/4" or 3/8"	1/4" or 3/8"
Dimensions LxWxH	mm	400x145x270	400x145x270

Ordering Information	TYPE EVD-VE2100
Single phase motor 220-240V, 50/60 Hz (IEC)	416.000
Dual Voltage motor 220V, 50 Hz & 110V, 60 Hz	416.100
Exhaust filter	Upon request
Accessories	See page 13



Eurovacuum EVD Series

Double Stage Oil Sealed Rotary Vane Pump

TYPE EVD-6

Technical Data		TYPE EVD-6	
		50 Hz	60 Hz
Nominal displacement	m ³ /h	5,4	6,5
Ultimate partial pressure	mbar	10 ⁻⁴	10 ⁻⁴
Ultimate total pressure	mbar	4x10 ⁻³	4x10 ⁻³
Motor power	kW	0,37	0,37
Nominal speed	rpm	1450	1750
Water vapor tolerance	mbar	50	50
Noise level	dB	50	52
Oil capacity	ltr	1,3	1,3
Weight	kg	23	23
Admissible ambient temp.	°C	10 to 40	10 to 40
Connection	Inlet	DIN 25 KF	25 KF
	Outlet	DIN 25 KF	25 KF

Ordering Information	TYPE EVD-6	
	50 Hz	60 Hz
Single phase motor 230V, 50/60 Hz (IEC)	420.901	420.901
Three phase motor 400V, 50Hz (IEC) 400V, 60Hz (IEC) 400V, 60Hz (NEMA)	420.902	420.903 420.904
Other Voltages/Frequencies	Upon request	
Filling with special oil	Upon request	
Exhaust oil vapor filter (side exhaust)	420.910	
Gasket set	420.911	
Maintenance kit	420.912	
Pump module	420.913	
Inlet dust filter, paper cartridge	420.914	
EV-Highvacuum Oil-60		
1 ltr can	100.400	
2,5 ltr can	100.401	
5 ltr can	100.402	
20 ltr can	100.403	

TYPE EVD-12

Technical Data		TYPE EVD-12	
		50 Hz	60 Hz
Nominal displacement	m ³ /h	10,8	13,0
Ultimate partial pressure	mbar	10 ⁻⁴	10 ⁻⁴
Ultimate total pressure	mbar	4x10 ⁻³	4x10 ⁻³
Motor power	kW	0,37	0,37
Nominal speed	rpm	1450	1750
Water vapor tolerance	mbar	50	50
Noise level	dB	50	52
Oil capacity	ltr	1,1	1,1
Weight	kg	25	25
Admissible ambient temp.	°C	10 to 40	10 to 40
Connection	Inlet	DIN 25 KF	25 KF
	Outlet	DIN 25 KF	25 KF

Ordering Information	TYPE EVD-12	
	50 Hz	60 Hz
Single phase motor 0,55kW 230V, 50/60 Hz (IEC)	421.901	421.901
Three phase motor 400V, 50Hz (IEC) 400V, 60Hz (IEC) 400V, 60Hz (NEMA)	421.902	421.903 421.904
Other Voltages/Frequencies	Upon request	
Filling with special oil	Upon request	
Exhaust oil vapor filter (side exhaust)	420.910	
Gasket set	421.911	
Maintenance kit	421.912	
Pump module	421.913	
Inlet dust filter, paper cartridge	420.914	
EV-Highvacuum Oil-60		
1 ltr can	100.400	
2,5 ltr can	100.401	
5 ltr can	100.402	
20 ltr can	100.403	

TYPE EVD-24

Technical Data		TYPE EVD-24	
		50 Hz	60 Hz
Nominal displacement	m ³ /h	21,6	26,0
Ultimate partial pressure	mbar	10 ⁻⁴	10 ⁻⁴
Ultimate total pressure	mbar	4x10 ⁻³	4x10 ⁻³
Motor power	kW	0,75	0,75
Nominal speed	rpm	1450	1750
Water vapor tolerance	mbar	30	30
Noise level	dB	52	54
Oil capacity	ltr	1,4	1,4
Weight	kg	37	37
Admissible ambient temp.	°C	10 to 40	10 to 40
Connection	Inlet	DIN 25 KF	25 KF
	Outlet	DIN 25 KF	25 KF

Ordering Information	TYPE EVD-24	
	50 Hz	60 Hz
Single phase motor 230V, 50/60 Hz (IEC)	422.901	422.901
Three phase motor 400V, 50Hz (IEC) 400V, 60Hz (IEC) 400V, 60Hz (NEMA)	422.902	422.903 422.904
Other Voltages/Frequencies	Upon request	
Filling with special oil	Upon request	
Exhaust oil vapor filter (side exhaust)	420.910	
Gasket set	422.911	
Maintenance kit	422.912	
Pump module	422.913	
Inlet dust filter, paper cartridge	420.914	
EV-Highvacuum Oil-60		
1 ltr can	100.400	
2,5 ltr can	100.401	
5 ltr can	100.402	
20 ltr can	100.403	

TYPE EVD-36

Technical Data		TYPE EVD-36	
		50 Hz	60 Hz
Nominal displacement	m ³ /h	32,5	39,0
Ultimate partial pressure	mbar	10 ⁻⁴	10 ⁻⁴
Ultimate total pressure	mbar	4x10 ⁻³	4x10 ⁻³
Motor power	kW	0,75	0,75
Nominal speed	rpm	1450	1750
Water vapor tolerance	mbar	30	30
Noise level	dB	52	54
Oil capacity	ltr	1,8	1,8
Weight	kg	39	39
Admissible ambient temp.	°C	10 to 40	10 to 40
Connection	Inlet	DIN 25 / 40 KF	25 / 40 KF
	Outlet	DIN 25 KF	25 KF

Ordering Information	TYPE EVD-36	
	50 Hz	60 Hz
Single phase motor 230V, 50/60 Hz (IEC)	423.901	423.901
Three phase motor 400V, 50Hz (IEC) 400V, 60Hz (IEC) 400V, 60Hz (NEMA)	423.902	423.903 423.904
Other Voltages/Frequencies	Upon request	
Filling with special oil	Upon request	
Exhaust oil vapor filter (side exhaust)	420.910	
Gasket set	423.911	
Maintenance kit	423.912	
Pump module	423.913	
Inlet dust filter, paper cartridge	423.914	
EV-Highvacuum Oil-60		
1 ltr can	100.400	
2,5 ltr can	100.401	
5 ltr can	100.402	
20 ltr can	100.403	

TYPE EVD-48

Technical Data		TYPE EVD-48	
		50 Hz	60 Hz
Nominal displacement	m ³ /h	50	60
Ultimate partial pressure	mbar	10 ⁻⁴	10 ⁻⁴
Ultimate total pressure	mbar	4x10 ⁻³	4x10 ⁻³
Motor power	kW	1,5	1,5
Nominal speed	rpm	1450	1750
Water vapor tolerance	mbar	50	50
Noise level	dB	56	58
Oil capacity	ltr	3,8	3,8
Weight	kg	64	64
Admissible ambient temp.	°C	10 to 40	10 to 40
Connection	Inlet	DIN 40 KF	40 KF
	Outlet	DIN 40 KF	40 KF

Ordering Information	TYPE EVD-48	
	50 Hz	60 Hz
Single phase motor 230V, 50/60 Hz (IEC)	424.901	424.901
Three phase motor 400V, 50Hz (IEC) 400V, 60Hz (IEC) 400V, 60Hz (NEMA)	424.902	424.903 424.904
Other Voltages/Frequencies	Upon request	
Filling with special oil	Upon request	
Exhaust oil vapor filter	424.910	
Gasket set	424.911	
Maintenance kit	424.912	
Pump module	424.913	
Inlet dust filter, paper cartridge	423.914	
EV-Highvacuum Oil-60		
1 ltr can	100.400	
2,5 ltr can	100.401	
5 ltr can	100.402	
20 ltr can	100.403	

TYPE EVD-60

Technical Data		TYPE EVD-60	
		50 Hz	60 Hz
Nominal displacement	m ³ /h	65	78
Ultimate partial pressure	mbar	10 ⁻⁴	10 ⁻⁴
Ultimate total pressure	mbar	4x10 ⁻³	4x10 ⁻³
Motor power	kW	2,2	2,2
Nominal speed	rpm	1450	1750
Water vapor tolerance	mbar	50	50
Noise level	dB	56	58
Oil capacity	ltr	5,5	5,5
Weight	kg	83	83
Admissible ambient temp.	°C	10 to 40	10 to 40
Connection	Inlet	DIN 40 KF	40 KF
	Outlet	DIN 40 KF	40 KF

Ordering Information	TYPE EVD-60	
	50 Hz	60 Hz
Three phase motor 400V, 50Hz (IEC) 400V, 60Hz (IEC) 400V, 60Hz (NEMA)	425.902	425.903 425.904
Other Voltages/Frequencies	Upon request	
Filling with special oil	Upon request	
Exhaust oil vapor filter	424.910	
Gasket set	425.911	
Maintenance kit	425.912	
Pump module	425.913	
Inlet dust filter, paper cartridge	423.914	
EV-Highvacuum Oil-60		
1 ltr can	100.400	
2,5 ltr can	100.401	
5 ltr can	100.402	
20 ltr can	100.403	

TYPE EVD-90

Technical Data		TYPE EVD-90	
		50 Hz	60 Hz
Nominal displacement	m ³ /h	90	105
Ultimate partial pressure	mbar	10 ⁻⁴	10 ⁻⁴
Ultimate total pressure	mbar	4x10 ⁻³	4x10 ⁻³
Motor power	kW	3,0	3,0
Nominal speed	rpm	1450	1750
Water vapor tolerance	mbar	50	50
Noise level	dB	56	58
Oil capacity	ltr	6,5	6,5
Weight	kg	88	88
Admissible ambient temp.	°C	10 to 40	10 to 40
Connection	Inlet	DIN 40 KF	40 KF
	Outlet	DIN 40 KF	40 KF

Ordering Information	TYPE EVD-90	
	50 Hz	60 Hz
Three phase motor 400V, 50Hz (IEC) 400V, 60Hz (IEC) 400V, 60Hz (NEMA)	426.902	426.903 426.904
Other Voltages/Frequencies	Upon request	
Filling with special oil	Upon request	
Exhaust oil vapor filter	424.910	
Gasket set	426.911	
Maintenance kit	426.912	
Pump module	426.913	
Inlet dust filter, paper cartridge	423.914	
EV-Highvacuum Oil-60		
1 ltr can	100.400	
2,5 ltr can	100.401	
5 ltr can	100.402	
20 ltr can	100.403	

TYPE EVD-120

Technical Data			TYPE EVD-120	
			50 Hz	60 Hz
Nominal displacement	m ³ /h	120	144	
Ultimate pressure GB closed	mbar	7x10 ⁻⁴	7x10 ⁻⁴	
Ultimate pressure GB open	mbar	7x10 ⁻³	7x10 ⁻³	
Motor power	kW	3,7	3,7	
Nominal speed	rpm	1450	1750	
Oil capacity	ltr	11	11	
Admissible ambient temp.	°C	10 to 40	10 to 40	
Noise level	dB(A)	70	72	
Weight	kg	172	172	
Connection	Inlet	DIN	ISO 63	
	Outlet	DIN	ISO 40	

Ordering Information	TYPE EVD-120	
	50 Hz	60 Hz
Three phase motor 400V, 50Hz (IEC) 400V, 60Hz (IEC) 400V, 60Hz (NEMA)	432.902	432.903 432.904
Other Voltages/Frequencies	Upon request	
Filling with special oil	Upon request	
Exhaust oil vapor filter EF-50	434.910	
Gasket set	432.911	
Maintenance kit	432.912	
Pump module	432.913	
Inlet dust filter, paper cartridge	432.914	
EV-Highvacuum Oil-60		
1 ltr can	100.400	
2,5 ltr can	100.401	
5 ltr can	100.402	
20 ltr can	100.403	

TYPE EVD-180

Technical Data			TYPE EVD-180	
			50 Hz	60 Hz
Nominal displacement	m ³ /h	180	216	
Ultimate pressure GB closed	mbar	7x10 ⁻⁴	7x10 ⁻⁴	
Ultimate pressure GB open	mbar	7x10 ⁻³	7x10 ⁻³	
Motor power	kW	5,5	5,5	
Nominal speed	rpm	1450	1750	
Oil capacity	ltr	16	16	
Admissible ambient temp.	°C	10 to 40	10 to 40	
Noise level	dB(A)	72	74	
Weight	kg	290	290	
Connection	Inlet	DIN	ISO 63	
	Outlet	DIN	ISO 40	

Ordering Information	TYPE EVD-180	
	50 Hz	60 Hz
Three phase motor 400V, 50Hz (IEC) 400V, 60Hz (IEC) 400V, 60Hz (NEMA)	433.902	433.903 433.904
Other Voltages/Frequencies	Upon request	
Filling with special oil	Upon request	
Exhaust oil vapor filter EF-50	434.910	
Gasket set	433.911	
Maintenance kit	433.912	
Pump module	433.913	
Inlet dust filter, paper cartridge	433.914	
EV-Highvacuum Oil-60		
1 ltr can	100.400	
2,5 ltr can	100.401	
5 ltr can	100.402	
20 ltr can	100.403	



TYPE EVD-270

Technical Data			TYPE EVD-270	
			50 Hz	60 Hz
Nominal displacement	m ³ /h	270	324	
Ultimate pressure GB closed	mbar	7x10 ⁻⁴	7x10 ⁻⁴	
Ultimate pressure GB open	mbar	7x10 ⁻³	7x10 ⁻³	
Motor power	kW	7,5	7,5	
Nominal speed	rpm	1450	1750	
Oil capacity	ltr	17	17	
Admissible ambient temp.	°C	10 to 40	10 to 40	
Noise level	dB(A)	74	76	
Weight	kg	358	358	
Connection	Inlet	DIN	ISO 63	
	Outlet	DIN	ISO 40	

Ordering Information	TYPE EVD-270	
	50 Hz	60 Hz
Three phase motor 400V, 50Hz (IEC) 400V, 60Hz (IEC) 400V, 60Hz (NEMA)	434.902	434.903 434.904
Other Voltages/Frequencies	Upon request	
Filling with special oil	Upon request	
Exhaust oil vapor filter EF-50	434.910	
Gasket set	434.911	
Maintenance kit	434.912	
Pump module	434.913	
Inlet dust filter, paper cartridge	434.914	
EV-Highvacuum Oil-60		
1 ltr can	100.400	
2,5 ltr can	100.401	
5 ltr can	100.402	
20 ltr can	100.403	

TYPE EVD-360

Technical Data			TYPE EVD-360	
			50 Hz	60 Hz
Nominal displacement	m ³ /h	360	432	
Ultimate pressure GB closed	mbar	7x10 ⁻⁴	7x10 ⁻⁴	
Ultimate pressure GB open	mbar	7x10 ⁻³	7x10 ⁻³	
Motor power	kW	11	11	
Nominal speed	rpm	1450	1750	
Oil capacity	ltr	28	28	
Admissible ambient temp.	°C	10 to 40	10 to 40	
Noise level	dB(A)	78	80	
Weight	kg	584	584	
Connection	Inlet	DIN	ISO 100	
	Outlet	DIN	ISO 100	

Ordering Information	TYPE EVD-360	
	50 Hz	60 Hz
Three phase motor 400V, 50Hz (IEC) 400V, 60Hz (IEC) 400V, 60Hz (NEMA)	435.902	435.903 435.904
Other Voltages/Frequencies	Upon request	
Filling with special oil	Upon request	
Exhaust oil vapor filter EF-100	436.910	
Gasket set	435.911	
Maintenance kit	435.912	
Pump module	435.913	
Inlet dust filter, paper cartridge	435.914	
EV-Highvacuum Oil-60		
1 ltr can	100.400	
2,5 ltr can	100.401	
5 ltr can	100.402	
20 ltr can	100.403	

TYPE EVD-450

Technical Data			TYPE EVD-450	
			50 Hz	60 Hz
Nominal displacement	m ³ /h	450	540	
Ultimate pressure GB closed	mbar	7x10 ⁻⁴	7x10 ⁻⁴	
Ultimate pressure GB open	mbar	7x10 ⁻³	7x10 ⁻³	
Motor power	kW	15	15	
Nominal speed	rpm	1450	1750	
Oil capacity	ltr	35	35	
Admissible ambient temp.	°C	10 to 40	10 to 40	
Noise level	dB(A)	78	80	
Weight	kg	668	668	
Connection	Inlet	DIN	ISO 100	
	Outlet	DIN	ISO 100	

Ordering Information	TYPE EVD-450	
	50 Hz	60 Hz
Three phase motor 400V, 50Hz (IEC) 400V, 60Hz (IEC) 400V, 60Hz (NEMA)	436.902	436.903 436.904
Other Voltages/Frequencies	Upon request	
Filling with special oil	Upon request	
Exhaust oil vapor filter EF-100	436.910	
Gasket set	436.911	
Maintenance kit	436.912	
Pump module	436.913	
Inlet dust filter, paper cartridge	436.914	
EV-Highvacuum Oil-60		
1 ltr can	100.400	
2,5 ltr can	100.401	
5 ltr can	100.402	
20 ltr can	100.403	

Engineered Vacuum Systems ...customised solutions

本司提供免費真空系統、真空工程與設備設計服務



Horizontal style vacuum system



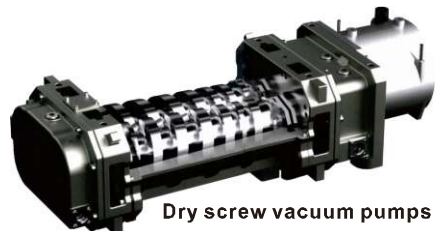
Vacuum pump system



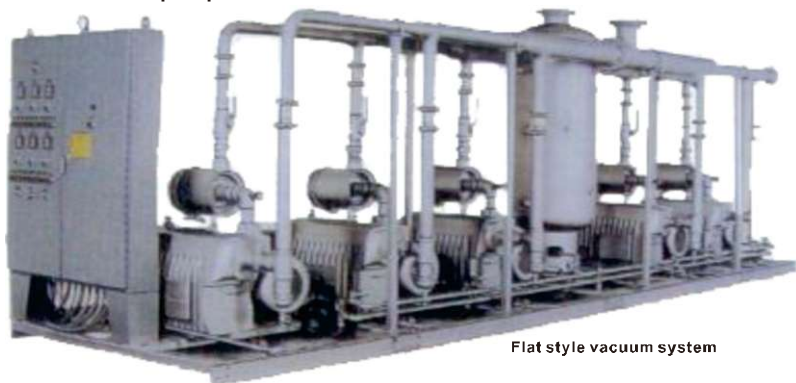
Roots booster



Vacuum pump system



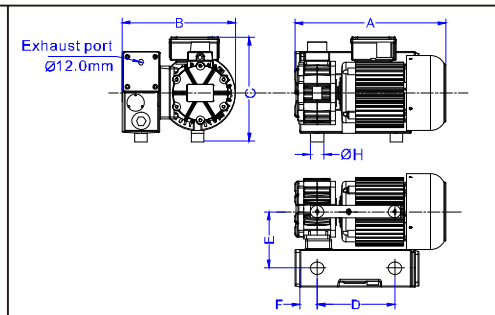
Dry screw vacuum pumps



Flat style vacuum system



R1.010~020



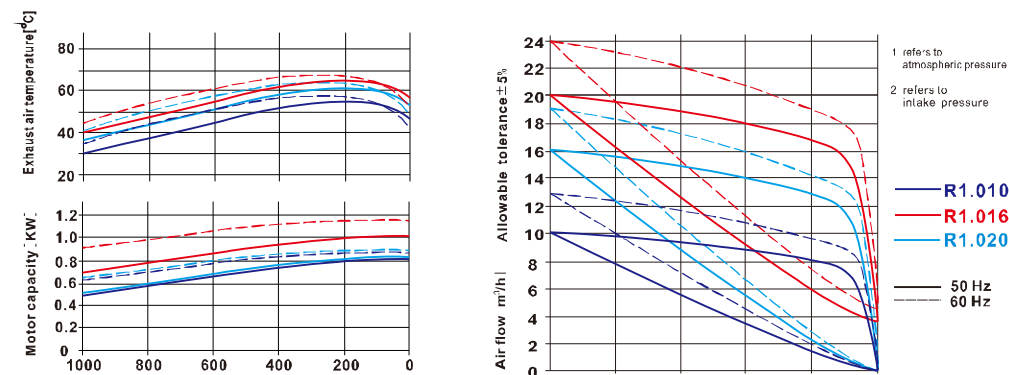
技術資料-Technical Data

Type 型號	Air flow 排氣量 (m³/h)		Motor power 馬達功率(kw)				Vacuum 真空度(mbar)			Speed 馬達轉速(RPM)				Noise Level 噪音值 (dB(A))	Fill Oil 注油量(L)	Weight 重量(kg)	Inch Suction Port 入口管(吋)
	50Hz	60Hz	Three-phase 三相馬達		Single-phase 單相馬達		RA	RB	RC	Three-phase 三相馬達		Single-phase 單相馬達					
			50Hz	60Hz	50Hz	60Hz				50Hz	60Hz	50Hz	60Hz				
R1.010	10	13	0.37	0.44	0.37	0.44	0.5	2.0	20	1420	1700	1420	1700	61	0.8	24	3/4
R1.016	16	19.2	0.55	0.66	0.55	0.66	0.5	2.0	20	1420	1700	1420	1700	61	0.8	27.5	3/4
R1.020	20	24	0.75	0.90	0.75	0.90	0.5	2.0	20	1420	1700	1420	1700	61	0.8	29	3/4

安裝尺寸-Mounting Dimensions

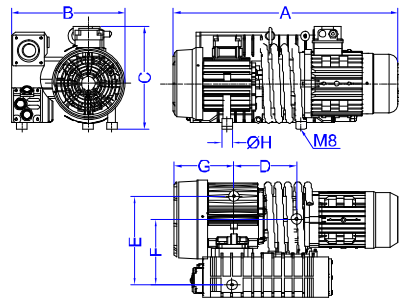
Type	A	B	C	D	E	F	H
R1.010	366	280	265	180	129	40	30
R1.016	366	280	265	180	129	40	30
R1.020	366	280	265	180	129	40	30

性能曲綫-Performance Data





R1.025~040



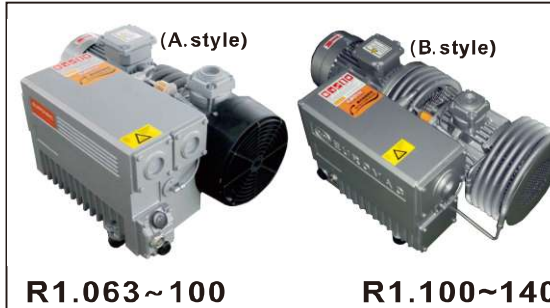
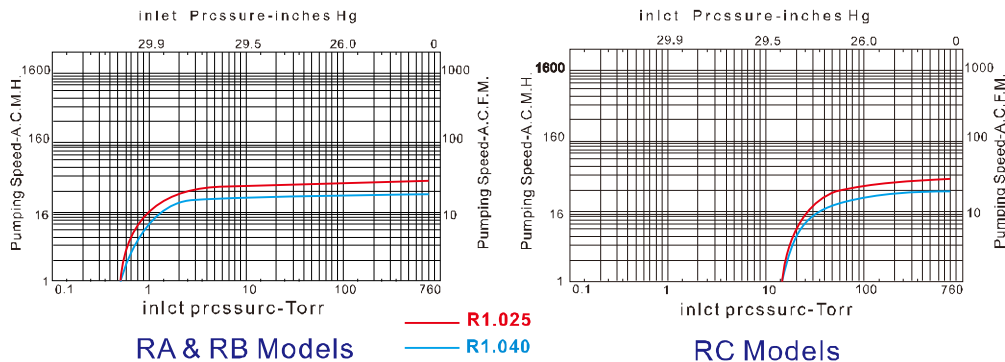
技術資料-Technical Data

Type 型號	Air flow 排氣量 (m ³ /h)		Motor power 馬達功率(kw)				Vacuum 真空度(mbar)			Speed 馬達轉速(RPM ⁻¹)				Noise Level 噪音值 (dB(A))	Fill Oil 注油量(L)	Weight 重量(kg)	Inch Suction Port 入口口徑(G")
	Three-phase 三相馬達		Single-phase 单相馬達		RA	RB	RC	Three-phase 三相馬達		Single-phase 单相馬達							
	50Hz	60Hz	50Hz	60Hz				50Hz	60Hz	50Hz	60Hz						
R1.025	25	30	0.9	1.1	0.9	1.1	0.5	2	20	1400	1680	1400	1680	67	1	36	1-1/4
R1.040	40	48	1.5	1.8	1.5	1.8	0.5	2	20	1420	1710	1420	1710	67	1	46	1-1/4

安裝尺寸-Mounting Dimensions

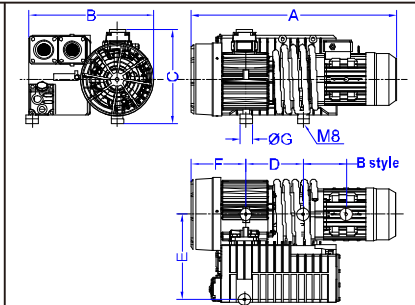
Type	A	B	C	D	E	F	G	H
R1.025	590	282	263	190	230	170	132	30
R1.040	648	308	269	328	230	170	161	30

性能曲綫-Performance Data



R1.063~100

R1.100~140



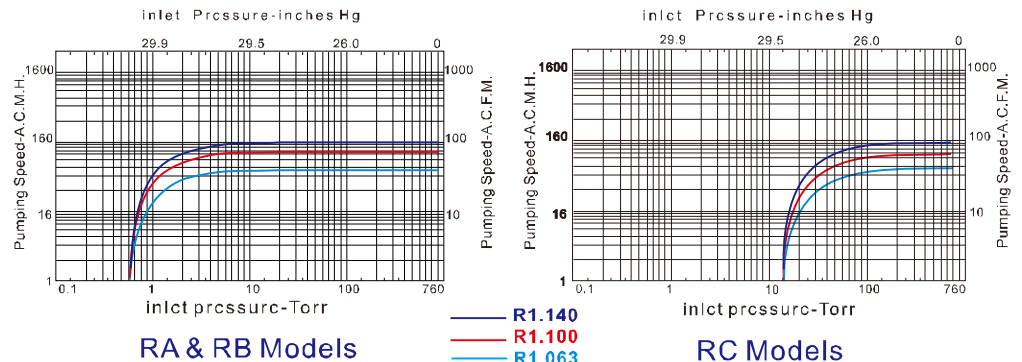
技術資料-Technical Data

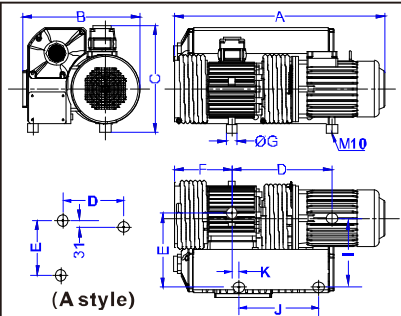
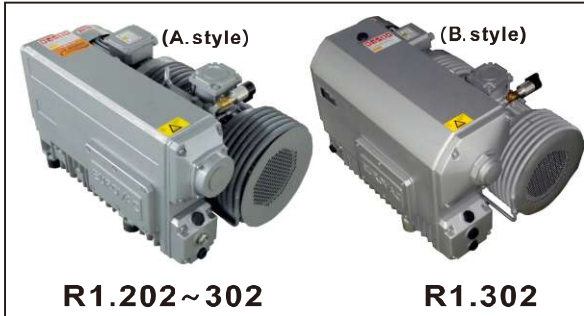
Type 型號	Air flow 排氣量 (m ³ /h)		Vacuum 真空度(mbar)			Motor power 馬達功率(kw)		Speed 馬達轉速(RPM ⁻¹)		Noise Level 噪音值[dB(A)]	Fill Oil 注油量(L)	Weight 重量(kg)	Inch Suction Port 入口口徑(G")
	Three-phase 三相馬達		RA	RB	RC	Three-phase 三相馬達		Single-phase 单相馬達					
	50Hz	60Hz				50Hz	60Hz	50Hz	60Hz				
R1.063	63	76	0.5	2	20	2.2	2.6	1425	1710	69	2	52	1-1/4
R1.100	100	120	0.5	2	20	3.0	3.6	1425	1710	71	2	70	1-1/4
R1.140	140	168	0.5	2	20	4.0	4.8	1425	1710	71	2	90	1-1/4

安裝尺寸-Mounting Dimensions

Type	A	B	C	D	E	F	G
R1.063	661.5	421	297	196/322	277	139	30
R1.100	718	420	294	222/350	277	165	30
R1.140	780	435	335	365	268	220	30

性能曲綫-Performance Data





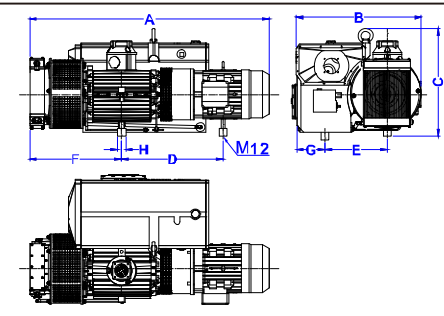
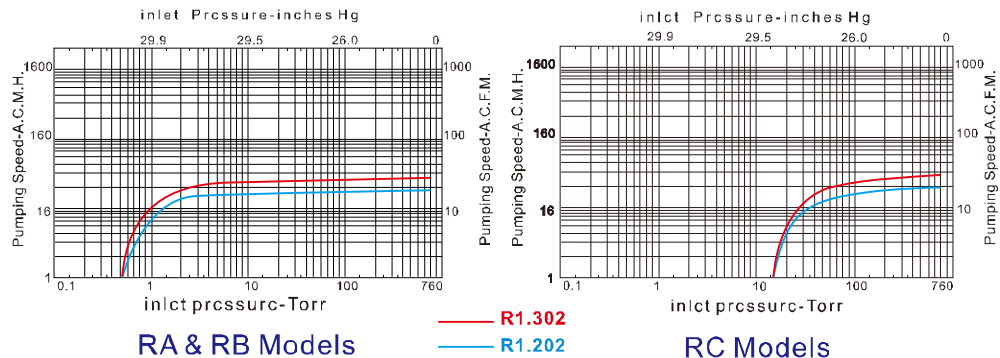
技術資料-Technical Data

Type 型號	Air flow 排氣量 (m³/h)		Vacuum 真空度(mbar)			Motor power 馬達功率(kw)		Speed 馬達轉速(RPM)		Noise Level 噪音值[dB(A)]	Fill Oil 注油量(L)	Weight 重量 (kg)	Inch Suction Port 入口口徑(G")
	50Hz	60Hz	RA	RB	RC	50Hz	60Hz	50Hz	60Hz				
R1.202	200	240	0.5	2	20	5.5	6.6	1440	1728	74	5	136	2
R1.302	300	360	0.5	2	20	7.5	9.0	1440	1728	76	7	177	2

安裝尺寸-Mounting Dimensions

Type	A	B	C	D	E	F	G	I	J	K
R1.202	880	495	414	396.5	306.5	227	50	277.5	385	39.5
R1.302	962	563	420	460.5	362	238	50	331	388	39.5

性能曲綫-Performance Data



技術資料-Technical Data

Type 型號	Air flow 排氣量 (m³/h)		Vacuum 真空度(mbar)			Motor power 馬達功率(kw)		Speed 馬達轉速(RPM)		Noise Level 噪音值[dB(A)]	Fill Oil 注油量(L)	Weight 重量 (kg)	Inch Suction Port 入口口徑(G")
	50Hz	60Hz	RA	RB	RC	50Hz	60Hz	50Hz	60Hz				
R1.402	400	480	0.5	2	20	11	15	960	1160	82	14	435	3
R1.630	630	756	0.5	2	20	15	18.5	960	1160	82	16	550	3
R1.1000	1000	1200	0.5	2	20	25	30	960	1160	82	42	980	4
R1.1600	1600	1920	0.5	2	20	30	37	960	1160	83	45	980	4

安裝尺寸-Mounting Dimensions

Type	A	B	C	D	E	F	G	H
R1.402	1306	861	671	602.5	460	557.5	178	76
R1.630	1737	861	735	670	460	625	178	76
R1.1000	1905	1158	934	684	482.5	640	178	76
R1.1600	1905	1158	934	684	482.5	640	178	76

性能曲綫-Performance Data

