

# Vector AC Drive **iV5**

2.2~37kW (3~50HP) 3 Phase 200~230V  
2.2~800kW (3~1,067HP) 3 Phase 380~480V 5.5~500kW  
(7.5~666HP) 400V DC Input type



**FAMCO**  
هایپر صنعت

lives with **STARVERT iV5**

**“The Optimum Solution”**  
**iV5 series provides a full satisfaction**  
**for all the needs**



www.famcocorp.com

E-mail: info@famcocorp.com

@famco\_group

Tel: ۰۲۱-۴۸۰۰۰۰۰۴۹

Fax: ۰۲۱-۴۴۹۹۴۶۴۲

تهران، کیلومتر ۲۱ بزرگراه لشگری (جاده مخصوص کرج)

روبروی پالایشگاه نفت پارس، پلاک ۱۲



## Contents

04 Features	26 Shifts between each groups and codes in the Loader
12 Model & Type	27 Function Codes Table
13 Standard Specification	47 Braking Unit and Resistor
16 Wiring	49 Dimension
22 Terminal Function	54 Fault Solution and Check
24 I/O Board	55 Basic Configuration
25 Loader Use	



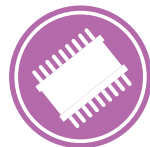
### Optimized Solution for System Drive

Control the Crane, Elevator & Continuous line system based on powerful performance



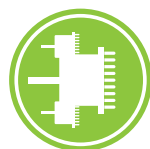
### High Performance Control system

Speed/Torque control, SIN/COS encoder, Auto tuning, Endat encoder, Draw/Droop/Process PID Control, Built-in brake control



### User-friendly Interface

User-friendly keypad, Various field bus option, DriveView management



### Various Option for System Application

Synchronize, SIN/COS encoder(Endat encoder), Extension I/O, EL I/O option

**'We guarantee, your satisfaction will be beyond your expectation'**

iV5 series realizes the high precision vector control in entire operational area and its highly precise speed control guarantees a superb control stability in the crane, continuous line and elevator system controls.



220kW UL Certification ISO 14001, ISO 9001



# Optimized Solution for System Drive

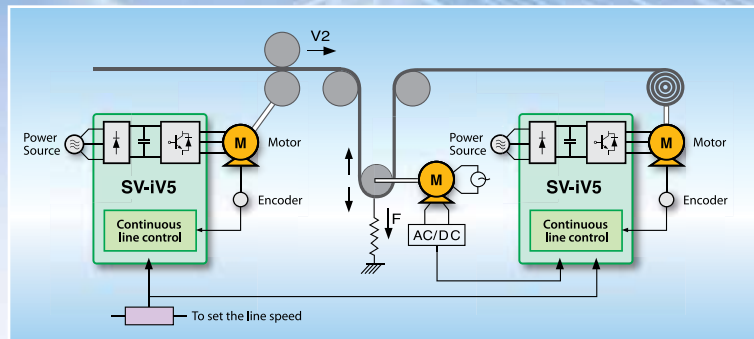
Control the continuous line as Metal processing/Paper & Paperboard, Crane and Elevator system based on powerful performance

# System Drive

iv5 provides the optimum system operating environment with various function and superior control performance

## Continuous line

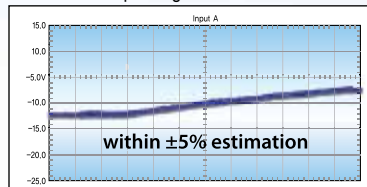
Winding/Unwinding System of Metal processing, Paper & Paperboard, Textile, Cable line



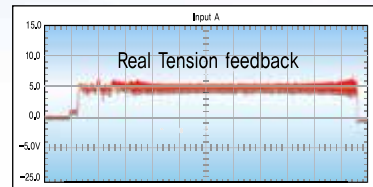
## Customized function for continuous line

- Diameter operating
- Taper function
- Splicing control
- Flux/Tension control
- Inertia compensation
- Bobbin random set function
- Quick stop
- To use Dancer/Load cell
- Online set Winding/Unwinding
- Over/Under winding
- Breakage detecting function
- Core fault detecting function

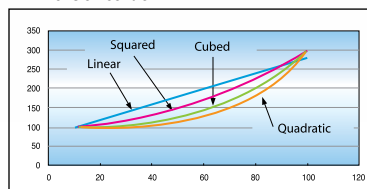
### Diameter operating



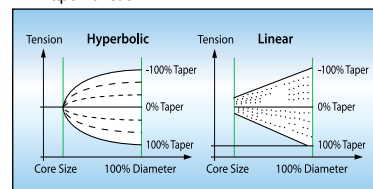
### Tension control



### Tension control



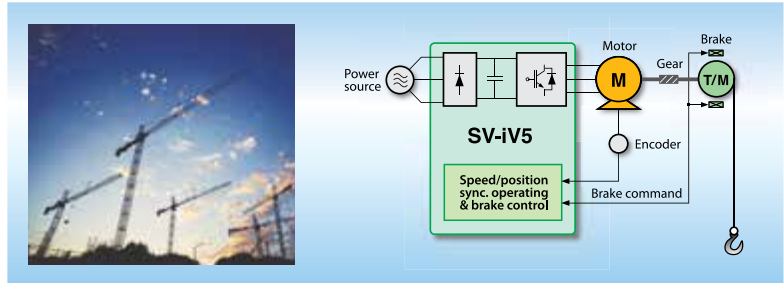
### Taper function



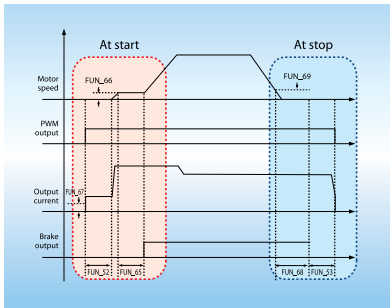
## IV5 guarantees system safety and reliability with enhanced protection function and various option

### Crane system

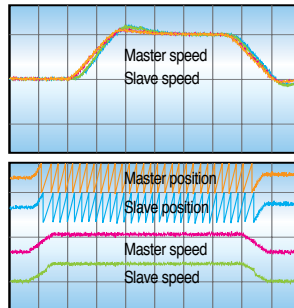
IV5 can operate crane system with load balancing, speed/position control, brake control of harbor crane, overhead crane, tower crane, parking system and automation warehouse



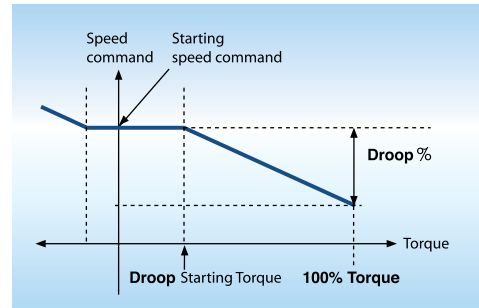
#### Brake control



#### Synchronized operating with speed/position



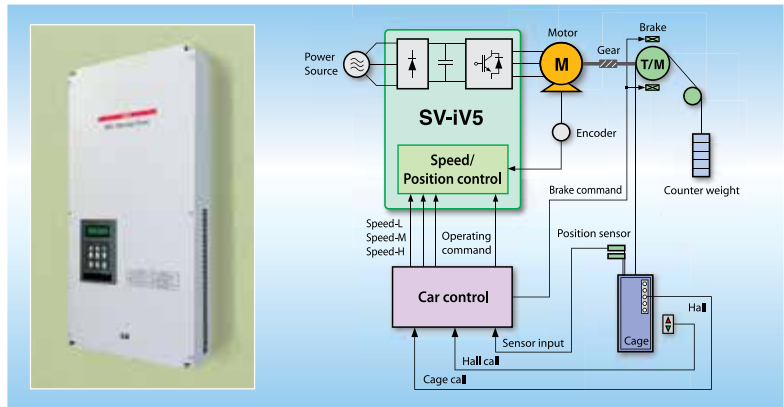
#### Load balancing with droop control



## IV5 guarantees comfortable and stable driving with precise position control

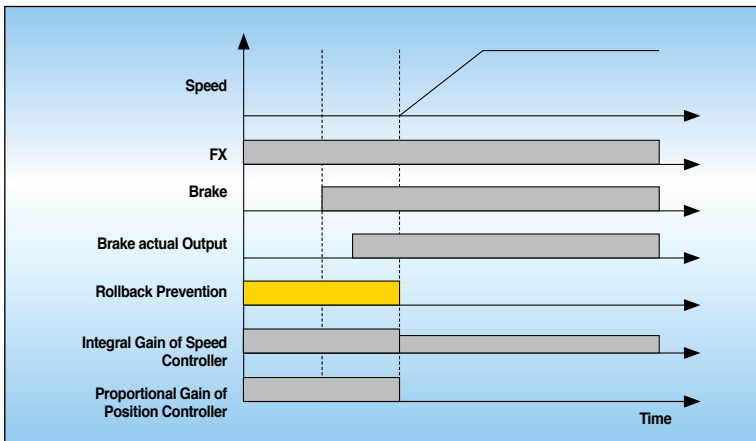
### Elevator system

IV5 guarantees stable driving and monitoring the elevator with both optimum speed pattern and position control.

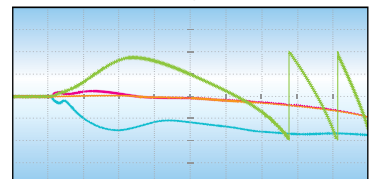


### Rollback Prevention : Anti-Rollback Function (without external load cell)

#### Time Chart for Anti-Rollback Function

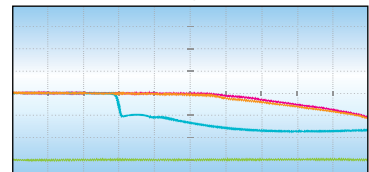


#### Before Anti-Rollback Algorithm



Green : Position Error between Command & Actual Spd.

#### After Anti-Rollback Algorithm



# Precise Control

Precise speed/torque control, Accurate control with SIN/COS encoder, Auto tuning(at standstill), Draw/Droop/Process PID Control, Brake Control

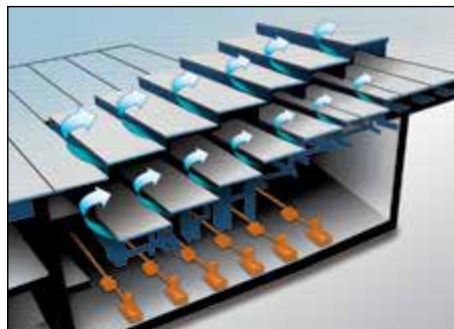


# High Performance

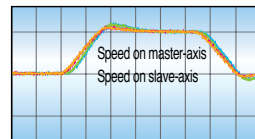
**iV5 guarantees precise speed/position control and synchronous operation in various systems.**

### ■ Speed/Position Synchronized operation

- Speed/Position synchronizing operation
- Precision synchronizing operation in 5°
- Synchronizing in driving / Synchronizing in starting
- Synchronous operation with multiple motors (with synchronized option card)



### ■ Speed synchronous operation



### ■ Position synchronous operation



## Autotuning

### Standstill autotuning

This unique technology of LS allows the autotuning operation to be performed even with the motor shaft directly connected to the load. Especially, this standstill type autotuning is very useful in the lift application because it does not require removal of brake coupling connected to the motor.

### Rotation autotuning

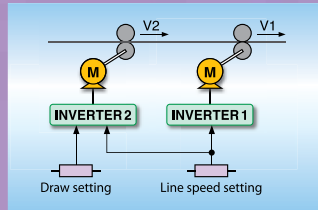
This type of autotuning has been widely used for the vector control drive. As the name implies, this requires the motor shaft to be free of the coupling for a proper operation.

## Precise and safe control system

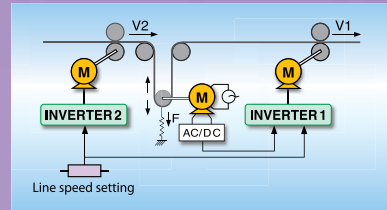
### Draw/Droop/Process PID control

Draw/Droop/Process PID control is provided for precise control such as tension control, linear velocity control, temperature and pressure control and useful functions easily implemented like Load balancing.

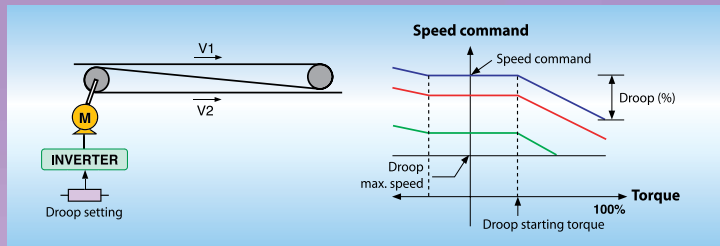
#### Draw control



#### Process PID control



#### Droop control

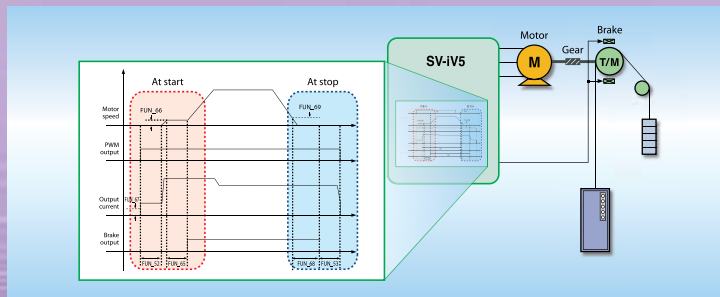


## Built-in brake control for vertical loading safety

### Brake Control

For applications which have a risk of dropping, for instance elevator and crane system, brake control is built in

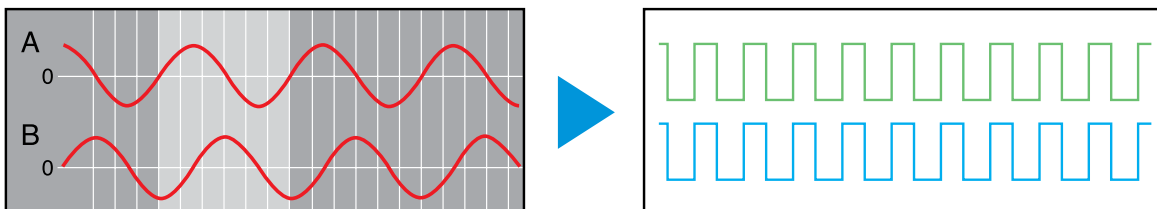
#### Draw control



## Extreme precise control

### SIN/COS encoder option

With SIN/COS encoder option, users can control more precisely than normal encoder



# User Friendly Interface

Easy to use with user-centric keypad and removable terminal blocks

A variety of communication supported such as LS485, Modbus-RTU, Device Net, Profibus-DP, CC-Link

Systematic and efficient management of system through DriveView



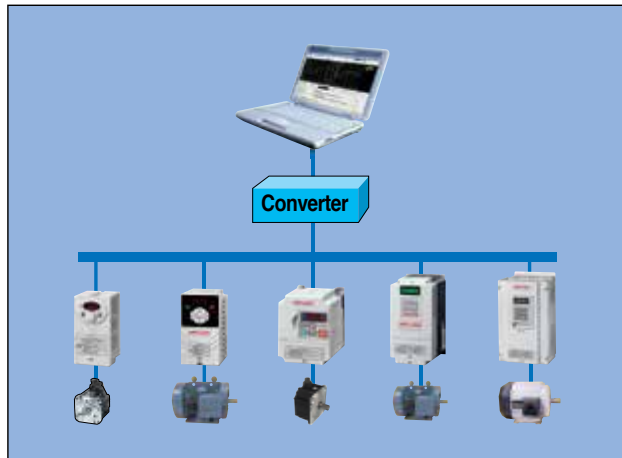
# Convenience

## Easy to maintain drive/motor parameter via PC

### Drive View

Through DriveView program, drive system can be monitored with PC and managed to maintain drive/motor parameters.

- Window based Graphic User Interface (GUI)
- LS485, Modbus-RTU
- Max 31 drives connection
- Reporting
- Event logging
- Integrated control console
- Offline editing
- Data upload/download
- 4ch oscilloscope
- Trigger function







## User friendly design



### Easy-to-use keypad

By adopting a user-centered operation keypad, parameter setting becomes easier and when applying to system, a variety of required information can be monitored.



### International standard removable terminal block

Wiring/maintenance become easy by international standard acquired terminal block and use also becomes easy by choosing various input/output options depending on intended use

## Various fieldbus communication options

Providing a variety of fieldbus communication options such as LS485, Modbus-RTU, Device Net, Profibus-DP, CC-Link and so forth, users can monitor and operate drives connected with PLC, HMI and other controllers.



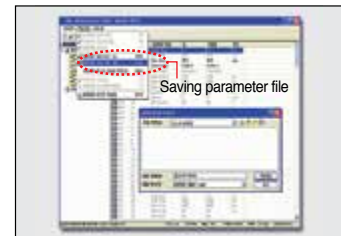
### Drive View



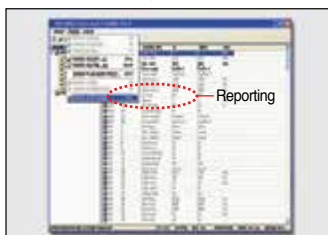
### Drive integrated console



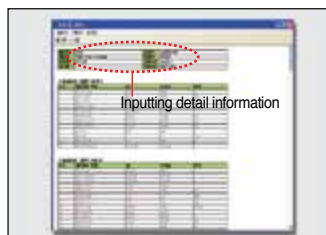
### Parameter management



### Reporting 1



### Reporting 2



### Oscilloscope/Trigger



# Wider Applications with Various Options

Synchronous option, SIN/COS encoder option, expansion I/O, Elevator dedicated I/O and so forth

A wide range of options and applications

# Variety

- Closed continuous line control
- Load balance function
- Diameter operating /Taper function
- Splicing control /Inertia compensation
- Breakage detecting function
- Quick stop



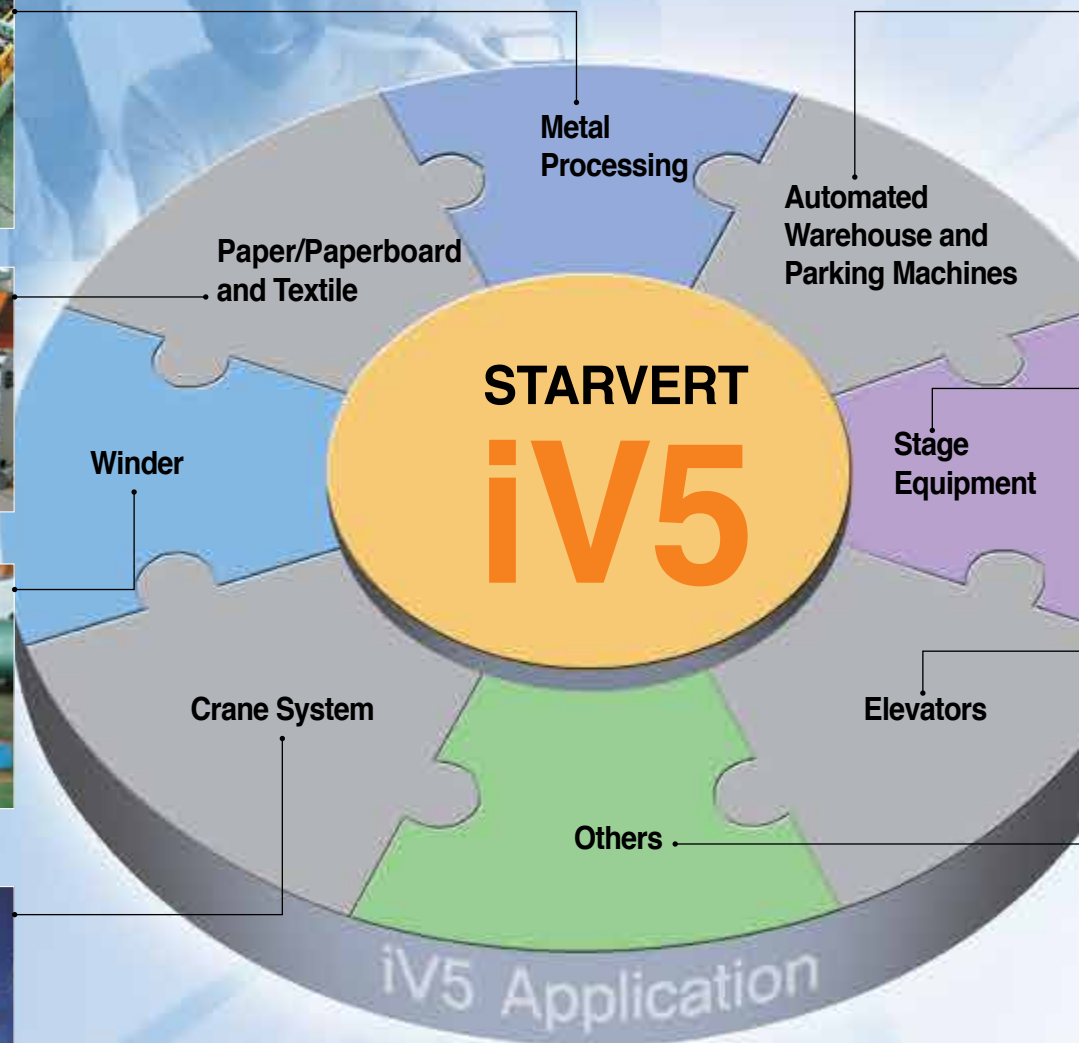
- Closed continuous line control
- Flux/Tension control with PID function
- Diameter operating /Taper function
- Splicing control /Inertia compensation
- Breakage detecting function
- Zero velocity control
- Quick stop



- Closed continuous line control
- Flux/Tension control with PID function
- Diameter operating /Taper function
- Splicing control /Inertia compensation
- Breakage detecting function
- Jog operation at low speed
- Quick stop



- Built-in brake control
- Speed/Position synchronous operation
- Load balance function
- Dedicated DB unit



## iV5 Option

### ■ Synchronization option

- Speed/Position synchronizing operation
- Consuming current : 300mA
- Input frequency : 100kHz
- Open collector output
- Multiple band operation



### ■ CC-Link

- Max. 10Mbps speed
- Customized LS profile
- CC Link customized cable
- Built-in termination resistor
- Remote I/O : each 32 point
- Remote register : 4 words



### ■ Elevator I/O

- Position sensor/Safety switch input
- Car position output
- E/L position and sequence control
- MC/Brake operation signal output
- E/L exclusive connector



### ■ LS485/Modbus-RTU

- 1200/2400/4800/9600/19200/38400 bps speed Bus, Multidrop link system
- Max. 31 node
- Max. 1200m period (recommended 700m)



### ■ Device Net

- 125/250/500kbps speed
- Bus topology
- Max. 64 node
- Max. 500m (125kbps)
- Enhanced online diagnosis function



### ■ Profibus-DP

- Max. 12Mbps speed
- Max. 32 station
- Bus topology
- Enhanced online diagnosis function



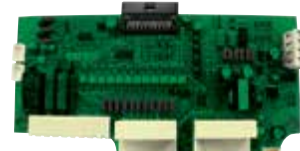
### ■ Extension I/O

- Analog input : 5 channel <sup>Note1)</sup>
- Analog output : 2 channel
- Other functions are same as SIO board



### ■ 24V Encoder I/O

- 24V encoder
- Encoder power fault detection
- Other specifications are same as SIO



### ■ SIN/COS + Endat encoder option

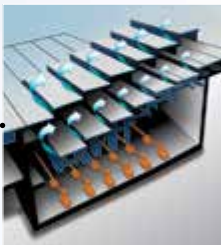
- Selectable Endat & Sin/Cos Option
- Max. 3,600rpm speed
- Enhanced Comfortable feeling in Car
  - Compatibility with Heidenhain Encoder
  - ECN413, ECN1313, ERN487, ERN1387



\*Note1) For more than 4 analog inputs, users need to additionally purchase expansion I/O.



- Built-in brake control
- Load balance function
- Dedicated DB unit
- Zero velocity control
- Precise control through SIN/COS encoder



- Speed/Position synchronous operation
- Load balance function
- Precise control through SIN/COS encoder
- Zero velocity control
- Smooth acceleration and deceleration



- Elevator dedicated control mode
- Geared/gearless elevator operation
- Precise control through SIN/COS encoder
- Elevator master function with on-board option
- Optimum speed pattern / no creep speed
- Battery operation during blackout
- Load cell optimum compensation



- Machine tools / press
- Cart
- Hydraulic pump, high speed compressor, tower blower and so forth

Applicable Motor ranges	200V Series	400V Series
2.2kW (3HP)	SV022iV5-2DB(MD)	SV022iV5-4DB(MD)
3.7kW (5HP)	SV037iV5-2DB(MD)	SV037iV5-4DB(MD)
5.5kW (7.5HP)	SV055iV5-2DB(MD)	SV055iV5-4DB(MD)
7.5kW (10HP)	SV075iV5-2DB(MD)	SV075iV5-4DB(MD)
11kW (15HP)	SV110iV5-2DB(MD)	SV110iV5-4DB(MD)
15kW (20HP)	SV150iV5-2DB(MD)	SV150iV5-4DB(MD)
18.5kW (25HP)	SV185iV5-2DB(MD)	SV185iV5-4DB(MD)
22kW (30HP)	SV220iV5-2DB(MD)	SV220iV5-4DB(MD)
30kW (40HP)	SV300iV5-2	SV300iV5-4
37kW (50HP)	SV370iV5-2	SV370iV5-4
45kW (60HP)		SV450iV5-4
55kW (75HP)		SV550iV5-4
75kW (100HP)		SV750iV5-4
90kW (120HP)		SV900iV5-4
110kW (150HP)		SV1100iV5-4
132kW (175HP)		SV1320iV5-4
160kW (215HP)		SV1600iV5-4
220kW (300HP)		SV2200iV5-4
280kW (375HP)		SV2800iV5-4
315kW (420HP)		SV3150iV5-4
375kW (500HP)		SV3750iV5-4
500kW (666HP)		SV5000iV5-4
800kW (1067HP)		SV8000iV5-4

■ Mold Type ■ Press Type

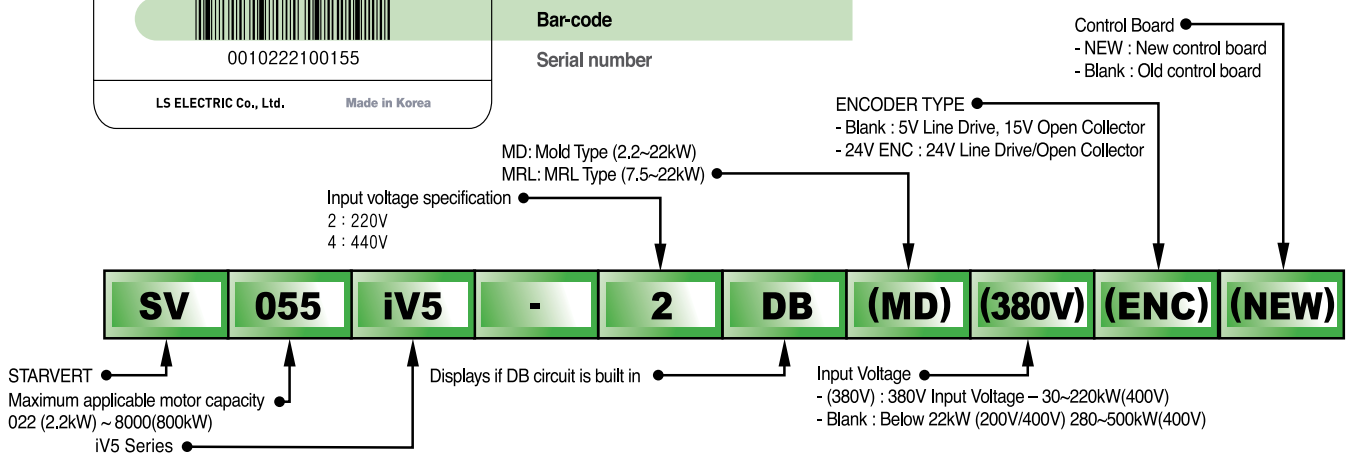
**SV220iV-5 2DB**

<b>INPUT</b>	200 - 230V	3phase
	69A	50/60Hz
<b>OUTPUT</b>	0 - Input V	3phase
	60A	0.1 - 400Hz
	20HP/15kW	

0010222100155

LS ELECTRIC Co., Ltd. Made in Korea

- Inverter type
- Input power specification
- Rated capacity
- Output power specification
- Operation frequency and rated output
- Bar-code
- Serial number



## ■ 200V Class Specifications

Type : SV[ ][ ] [iV5-2(DB)		022	037	055	075	110	150	185	220	300	370
Maximum applicable motor ranges	[HP]	3	5	7.5	10	15	20	25	30	40	50
	[kW]	2.2	3.7	5.5	7.5	11	15	18.5	22	30	37
Rated output	Capacity [kVA] * Note2)	4.5	6.1	9.1	12.2	17.5	22.5	28.2	33.1	46	55
	Rated current [A]	12	16	24	32	46	59	74	88	122	146
	Output speed	0 ~ 3600 (rpm)									
	Output voltage	0 ~ 200V(230V) * Note3)									
Rated input	Voltage	3Ø 200 ~ 230V (-10% ~ +10%)									
	Frequency	50 ~ 60Hz (±5%)									
Weight [Kg(lbs)]		6(13)	6(13)	7.7(16.9)	7.7(16.9)	13.7(30.2)	13.7(30.2)	20.3(44.7)	20.3(44.7)	42(93)	42(93)

## ■ 400V Class Specifications(AC power input type)

Type : SV[ ][ ] [iV5-4(DB)		022	037	055	075	110	150	185	220	300	370
Maximum applicable motor ranges	[HP]	3	5	7.5	10	15	20	25	30	40	50
	[kW]	2.2	3.7	5.5	7.5	11	15	18.5	22	30	37
Rated output	Capacity [kVA]	4.5	6.1	9.1	12.2	18.3	22.9	29.7	34.3	46	57
	Rated current [A]	6	8	12	16	24	30	39	45	61	75
	Output speed	0 ~ 3600 (rpm)									
	Output voltage	0 ~ 380V(480V) * Note3)									
Rated input	Voltage	3Ø 380 ~ 480V (-10% ~ +10%) * Note4)									
	Frequency	50 ~ 60Hz (±5%)									
Weight [Kg(lbs)]		6(13)	6(13)	7.7(16.9)	7.7(16.9)	13.7(30.2)	13.7(30.2)	20.3(44.7)	20.3(44.7)	42(93)	42(93)

Type : SV[ ][ ] [iV5-4(DB)		450	550	750	900	1100	1320	1600	2200	2800	3150	3750	5000	8000
Maximum applicable motor ranges	[HP]	60	75	100	120	150	175	215	300	373	420	500	666	1067
	[kW]	45	55	75	90	110	132	160	220	280	315	375	500	800
Rated output	Capacity [kVA]	70	85	116	140	170	200	250	329	416	468	557	732	1105
	Rated current [A]	91	110	152	183	223	264	325	432	546	614	731	960	1384
	Output speed	0 ~ 3600 (rpm)												
	Output voltage	380 ~ 460V * Note3)												
Rated input	Voltage	3Ø 380 ~ 480V (-10% ~ +10%) * Note4)												
	Frequency	50~60Hz (±5%)												
Weight [Kg(lbs)]		63(139)	63(139)	68(150)	98(216)	98(216)	122(269)	122(269)	175(386)	243(536)	380(838)	380(838)	476(1050)	589(1300)

\*Note1) It represents the output capacity 05 maximum applicable motor in case LG-OTIS 4pole motor is used.

\*Note2) Rated capacity ( =√3VI) is calculated based on 220V for 200V class, 440V for 400V class.

\*Note3) Maximum output voltage cannot be generated greater then specified input voltage.

\*Note4) Derate the rated current by 10% when the input voltage is in the range above 480V.

\*Note5) Rated current is derated by 10 % above 680 VDC of input voltage.

## ■ 400V Class (DC power input type)

SV [ ] [ ] [ ] [ ] iV5-4DC		055	075	110	150	185	220	300	370	450	550
Maximum applicable motor ranges * Note1)	[HP]	7.5	10	15	20	25	30	40	50	60	75
	[kW]	5.5	7.5	11	15	18.5	22	30	37	45	55
output	Capacity [kVA] * Note2)	9.1	12.2	18.3	22.9	29.7	34.3	46	57	70	85
	Rated current [A]	12	16	24	30	39	45	61	75	91	110
	Speed	0 ~ 3600 (rpm)									
	Voltage	0 ~ 380V(480V) * Note3)									
Input rated Voltage					DC 540 ~ 680V(+10%) * Note5)						
Drive weight [Kg(lbs)]		12 (26)	12 (26)	24 (53)	24.5 (54)	25 (55)	25 (55)	38.5 (84)	38.5 (84)	50 (110)	50 (110)

SV [ ] [ ] [ ] [ ] iV5-4DC		750	900	1100	1320	1600	2200	2800	3150	3750	5000
Maximum applicable motor ranges * Note1)	[HP]	100	120	150	175	215	300	373	420	500	666
	[kW]	75	90	110	132	160	220	280	315	375	500
output	Capacity [kVA] * Note2)	116	140	170	200	250	329	416	468	557	732
	Rated current [A]	152	183	223	264	325	432	546	614	731	960
	Speed	0 ~ 3600 (rpm)									
	Voltage	0 ~ 380V(480V) * Note3)									
Input rated Voltage					DC 540 ~ 680V(+10%) * Note5)						
Drive weight [Kg(lbs)]		55 (121)	79 (174)	79 (174)	98.5 (217)	98.5 (217)	154.5 (340)	206 (454)	343 (756)	343 (756)	466 (1028)

## ■ 400V MRL Specifications

SV [ ] [ ] [ ] [ ] iV5-4(MRL)		075	110	150	220
Maximum applicable motor ranges	[HP]	10	15	20	30
	[kW]	7.5	11	15	22
Rated output	Capacity [kVA] * Note2)	13.7	20.6	27.5	39.6
	Rated current [A]	18	27	36	52
	Output speed	0~200 (rpm)			
	Output voltage	380~480V * Note3)			
Rated input	Voltage	380 ~ 480V (-10% ~ +10%)			
	Frequency	50~60Hz (±5%)			
Weight [Kg(lbs)]		14 (30.8)	14 (30.8)	18.7 (41)	19 (41.8)

\*Note1) It represents the output capacity of maximum applicable motor in case LG-OTIS 4pole motor is used.

\*Note2) Rated capacity (=√3VI) is calculated based on 220V for 200V class, 440V for 400V class.

\*Note3) Maximum output voltage cannot be generated greater than specified input voltage.

\*Note4) Derate the rated current by 10% when the input voltage is in the range above 480V.

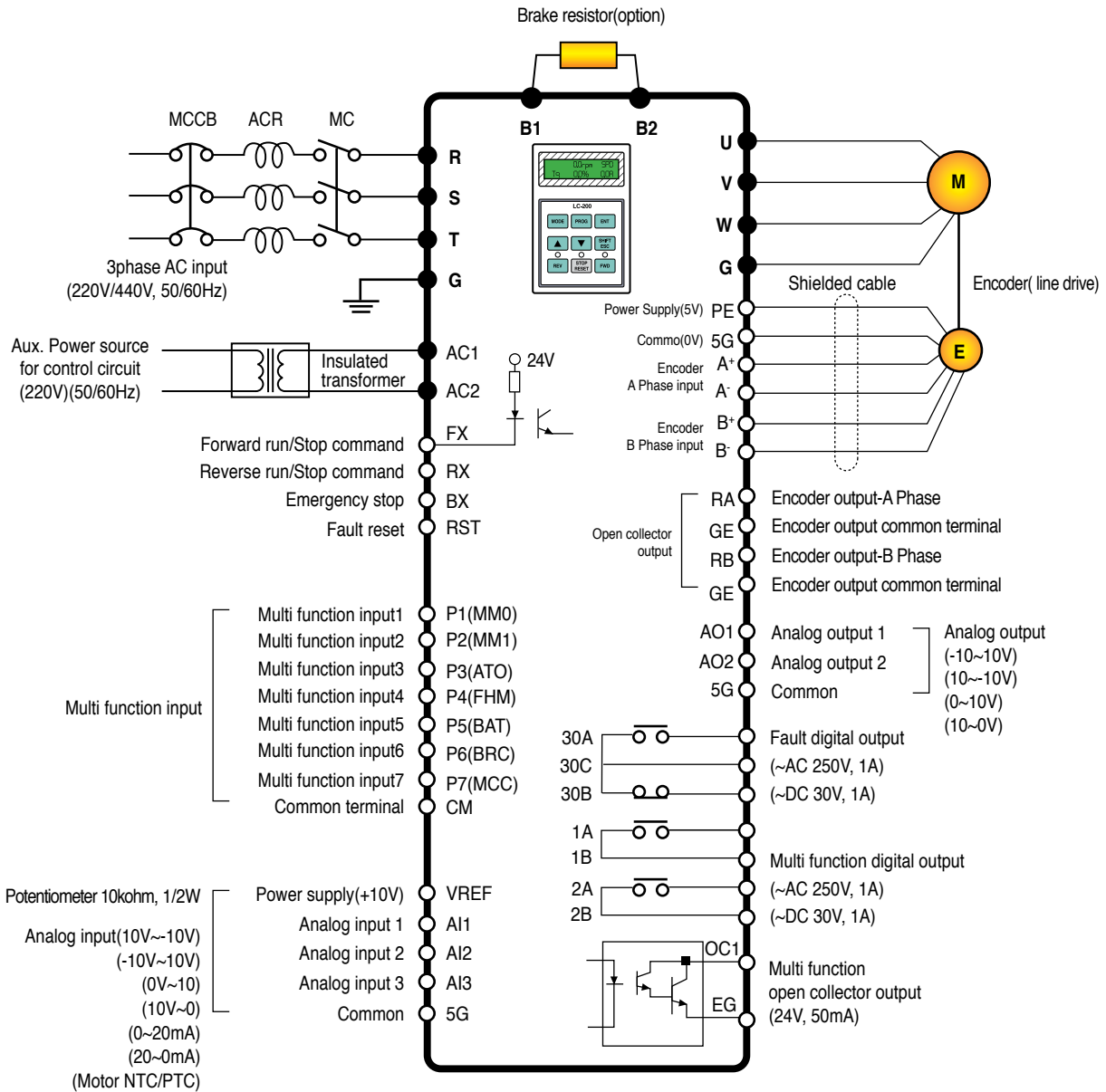
\*Note5) Rated current is derated by 10% above 680 VDC of input voltage.

## ■ Common Specifications

Item		Detailed Specification
<b>Inverter type</b>		<b>Voltage source inverter using IGBT</b>
<b>Control</b>	<b>Control method</b>	• Field oriented vector control inverter with speed sensor attached
	<b>Speed control accuracy</b>	• Analog setting: $\pm 0.01\%$ ( $25 \pm 10^{\circ}\text{C}$ ) of max. Speed (1,800rpm) • Digital setting: $\pm 0.01\%$ ( $0 \sim 40^{\circ}\text{C}$ ) of max. Speed (1,800rpm)
	<b>Speed setting resolution</b>	• Analog setting: $\pm 0.01\%$ of maximum Speed • Digital setting: 0.1rpm
	<b>Cut-off frequency of ASR</b>	50Hz
	<b>Torque control accuracy</b>	3%
	<b>Overload Capacity</b>	CT: 150%/1Min
	<b>Accel/ Decel</b>	<b>Time setting</b>
<b>Combination</b>		4 Combinations of acceleration / Deceleration Time
<b>Pattern</b>		Linear, S-Curve
<b>Braking</b>	<b>Braking method</b>	Dynamic braking using external resistors
	<b>Braking torque</b>	150%
	<b>Braking resistor</b>	External braking resistor should be provided.
<b>Input</b>	<b>Speed setting</b>	• Digital setting via keypad • Multi-step-speed setting by input terminal selection • Analog input setting of -10~10V or 4~20mA • Remote setting by option card
	<b>Analog input</b>	• 3Channels (AI1, AI2, AI3*, (AI4, AI5: Extended I/O)) • -10→10V, 10→10V, 0→10, 10→0V, 0 ~ 20mA, 20 ~ 0mA, (*AI3(AI5:Extended I/O): Motor NTC/PTC selectable) • Selectable among 15 different user-defined functions • AI3, AI5(Motor NTC): only available with LG-OTIS motors.
	<b>Contact input</b>	• FX, RX, BX, RST, P1~P7 • Selective among 42 different user-defined input functions
<b>Output</b>	<b>Analog output</b>	• 2 channels (AO1, AO2) • -10→10V, 10→10V, 0→10V, 10→0V output • Selectable among 41 different user-defined input functions
	<b>Contact output</b>	• 2 channels (1A-1B, 2A-2B) • Fault alarm relay: 1 channel (30A-30C, 30B-30C)
	<b>Open Collector</b>	1 Channel (OC1/EG)
<b>Protection</b>		Overcurrent, Overvoltage, Low voltage, Inverter overheat, Inverter thermal sensor malfunction, Motor overheat, Motor thermal sensor malfunction, Overspeed, Instantaneous IGBT gate block (BX), Fuse blown open, External Trip, Pulse encoder malfunction, Electronic thermal function, Inverter overload, Ground fault current, IGBT short, Communication error, FAN power error
<b>Environment</b>	<b>Installation condition</b>	Indoor, Free of Corrosive gas and Direct sunlight(Pollution Degree 2)
	<b>Ambient temperature</b>	-10 ~ 40°C(Non-frozen condition)
	<b>Humidity</b>	Below RH 90% (Dewdrop should not be formed)
	<b>Cooling method</b>	Forced ventilation by cooling fan
	<b>IP Type</b>	IP20 : 2.2 ~ 22kW(MD) IP00 : 30 ~ 500kW
	<b>Altitude</b>	Below 1,000m (From 1000 to 4000m, the rated input voltage and rated output current of the drive must be derated by 1% for every 100m.)
	<b>Vibration</b>	Below 5.9m/sec <sup>2</sup> (=0.6G)

AC Input Type

2.2 ~ 22kW (200V/400V)(MD)

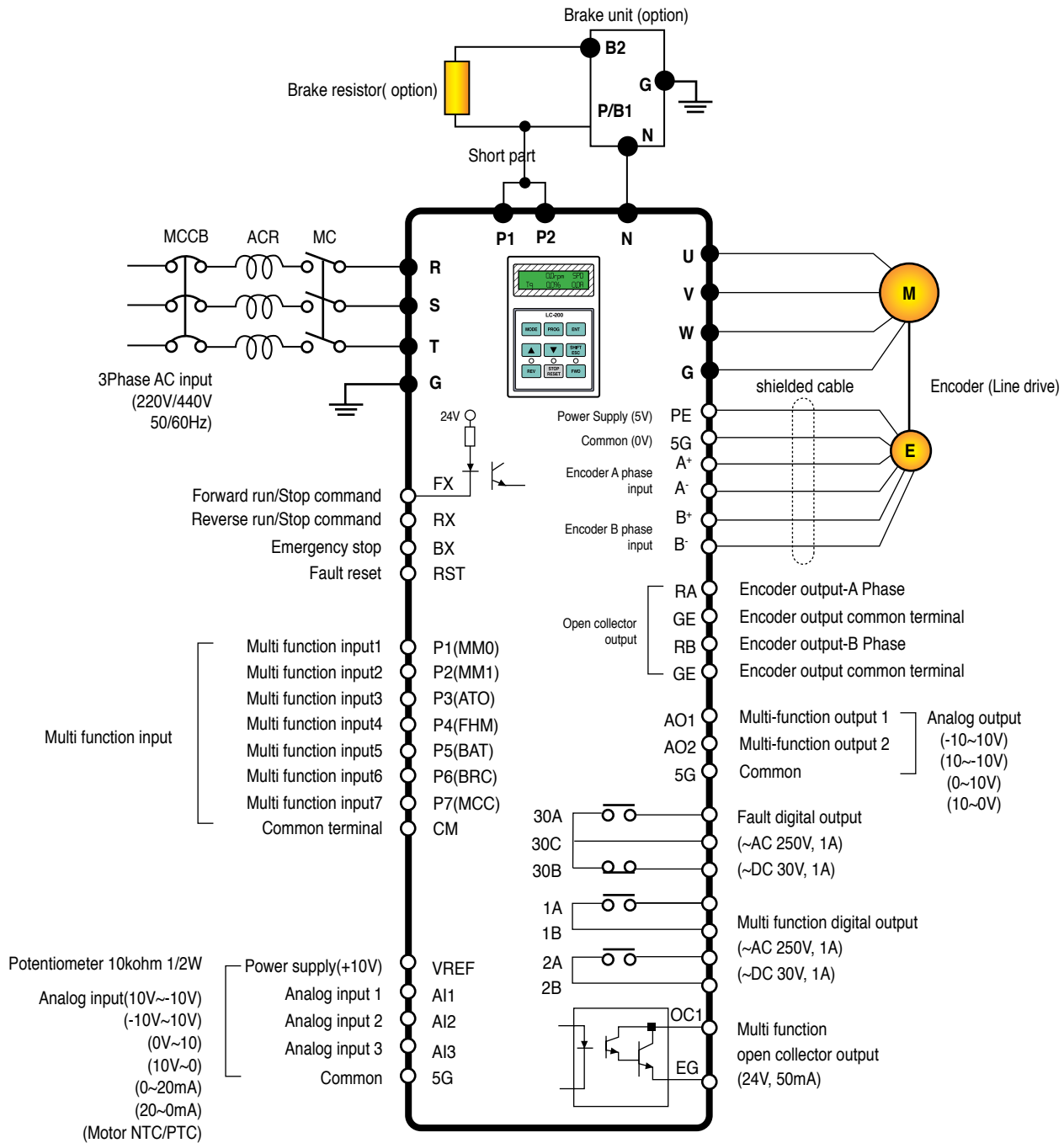


Note) ● : Power terminal ○ : control terminal



### AC Input Type

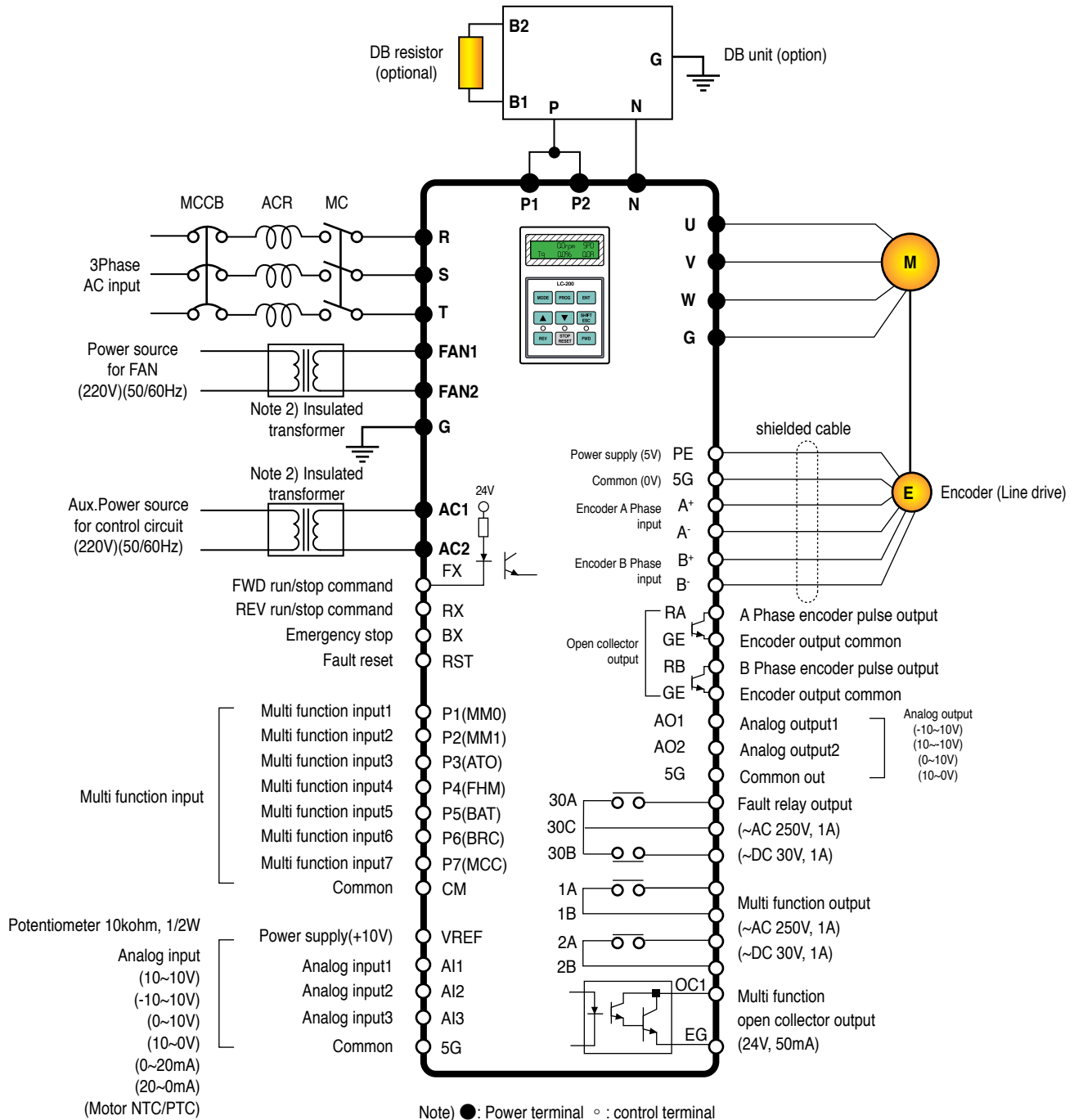
30 ~ 37kW (200V)  
30 ~ 375kW (400V)



Note) ● : Power terminal ○ : control terminal

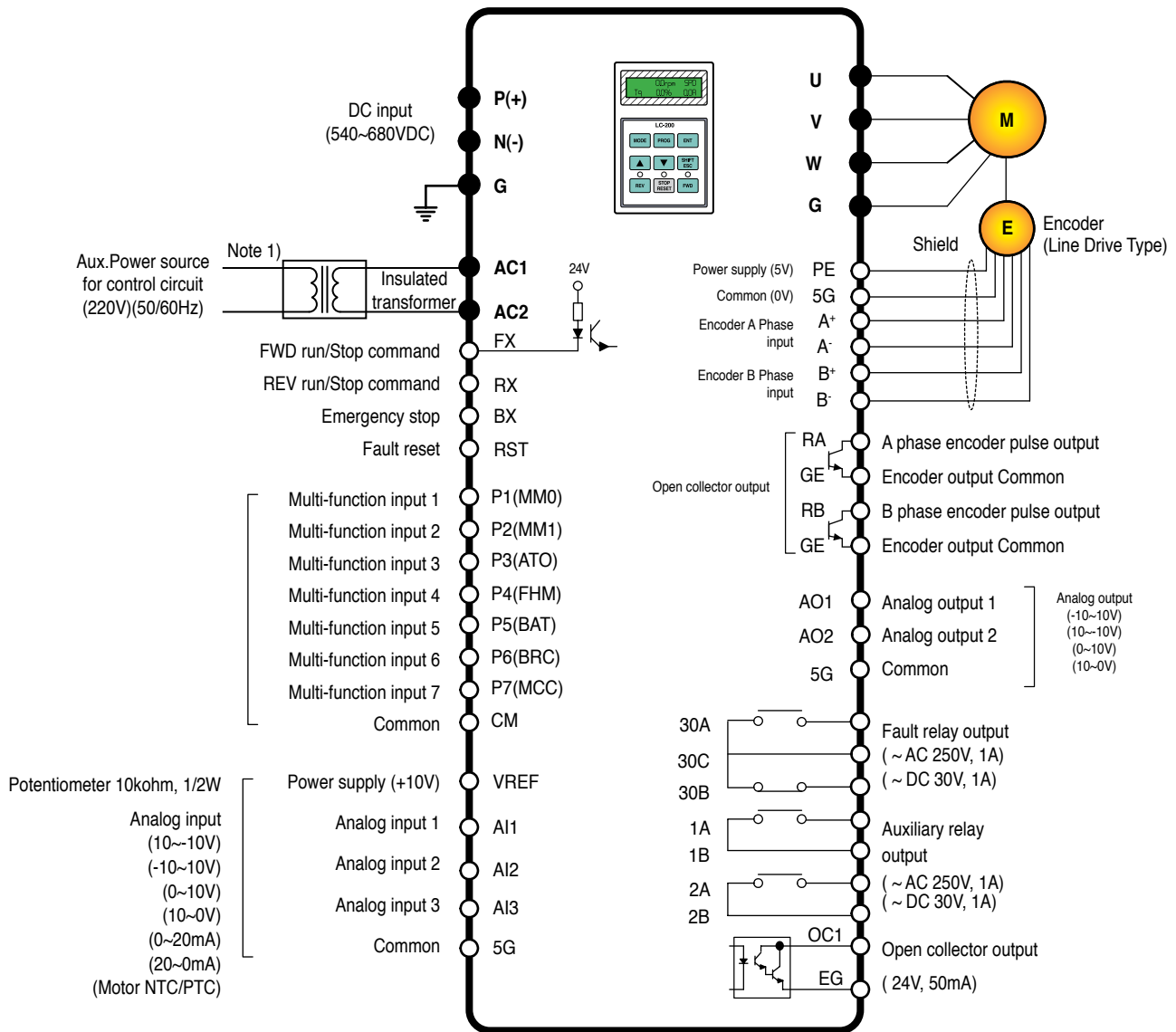
AC Input Type

500kW / 800kW (400V)



## DC Input Type

5.5~22kW / 280~375kW (400V)



Note) ● : Power terminal ○ : control terminal

兆SIO terminal indication for SV2800~3750iV5: PE 秦 PENT, GE 秦 G24X

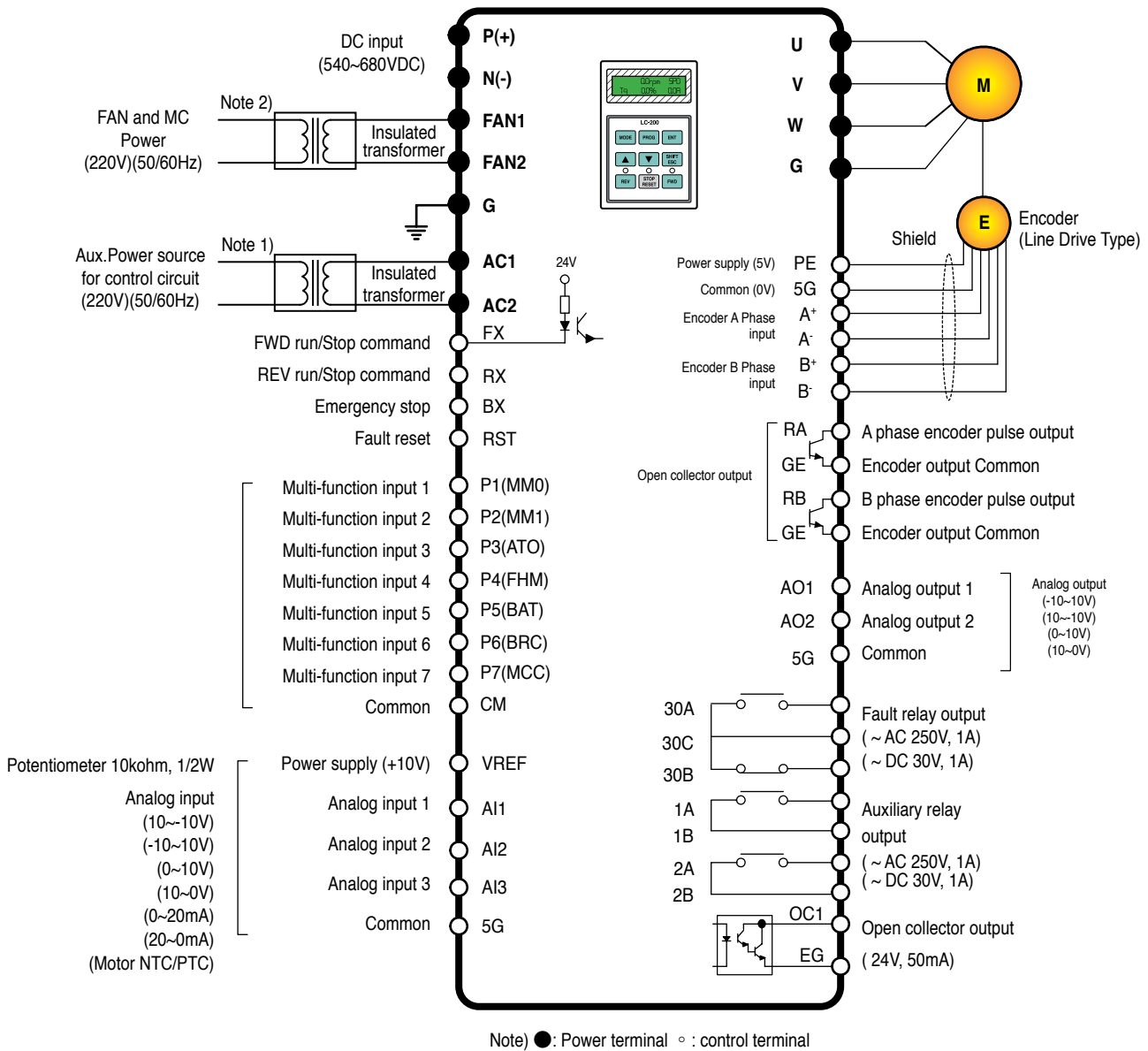
Note 1) It is used when drive control circuit is energized from auxiliary power source (220 VAC) without main power supply. Use insulated transformer to separate from main power supply. (Transformer capacity: above 100VA recommended)

DC Input Type

30 ~ 220kW/500kW (400V)



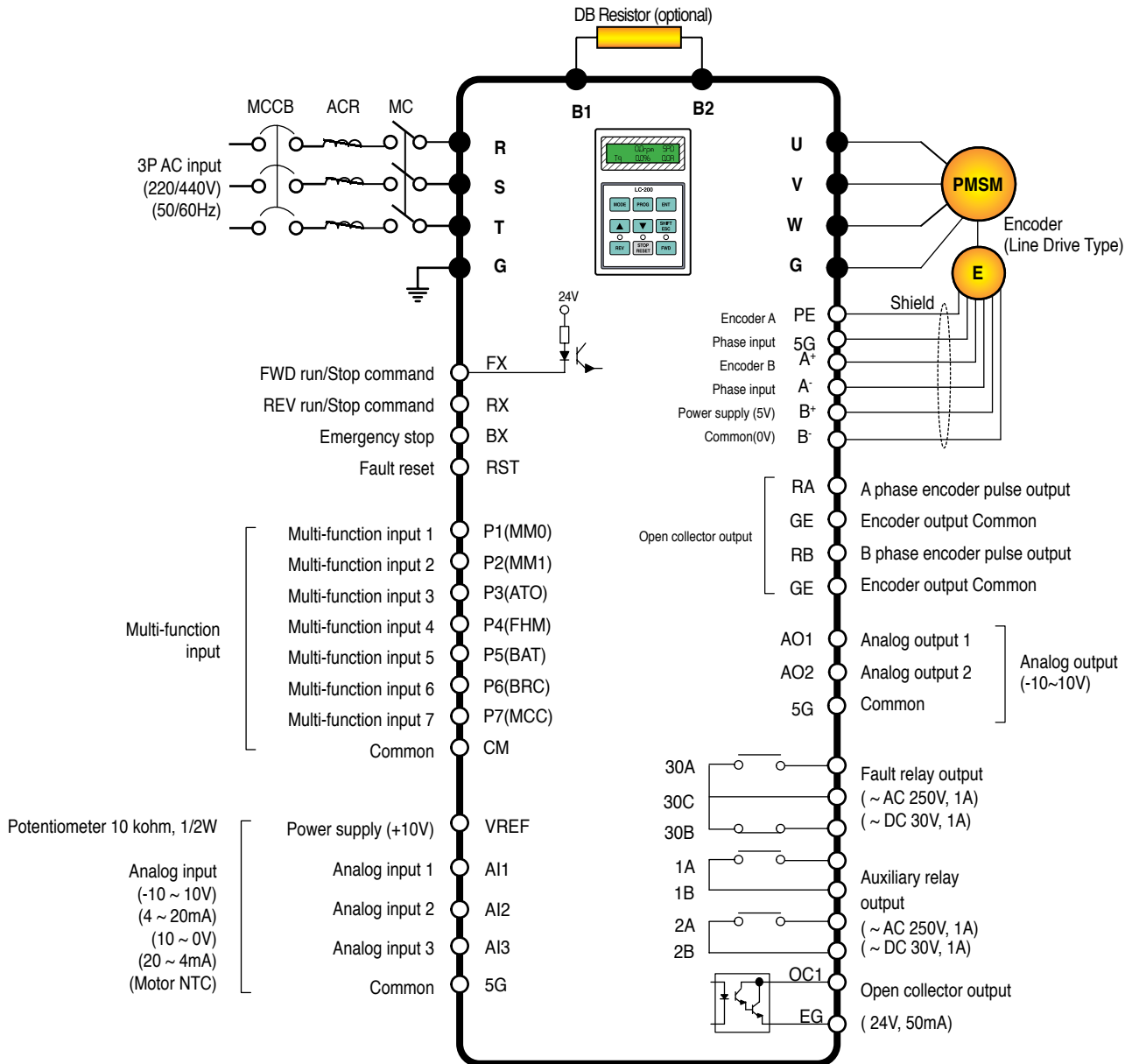
Warning) It must be energized AC220V (50/60Hz) to terminal of FAN1 and FAN2 because 30 ~ 500kW-4DC series have a cooling fan for AC power drive and MC. If not, Trip (30~160kW: "FAN/MC PWR", 220kW: "FAN PWR") will be occurred. The drive is not operated unless trip is released after AC220V inputs. The recommended order of power input and cutoff is as shown below.  
 (The order of power On: 220VAC 秦 P(+)/N(-) 秦 Run, The order of power Off: Stop 秦 P(+)/N(-) 秦 220VAC)



Note 1) It is used when drive control circuit is energized from auxiliary power source (220 VAC) without main power supply. Use insulated transformer to separate from main power supply. (Transformer capacity: above 100VA recommended)

Note 2) The power of 220VAC is must be. supplied for the operation of internal cooling fan and/or Magnetic contactor.  
 Use insulated transformer to separate from main power supply. (30~75kW(100VA), 90~160kW(150VA), 220/500kW(500VA) recommended)

7.5~22kW (MRL)



Note) ● : Power terminal ○ : control terminal

## ■ AC power input type

Name	Function	Description
<b>R, S, T</b>	3Phase AC input connection	Connected to 3 phase input power supply
<b>U, V, W</b>	Inverter Output	Connected to 3 phase induction motor
<b>G</b>	Grounding	Used for inverter frame earth
<b>B1, B2</b>	Braking Resistor	Connected to braking resistor
<b>P1(+), P2(+)</b>	DC Reator and DB Unit	Used for DC Reactor, DB Unit and DC link common connection
<b>P(+)</b>	DC Link common	DC Link common connection
<b>N(-)</b>	DC Unit	Used for DB Unit and DC link common connection

## ■ DC power input type

Name	Function	Description
<b>P(+), N(-)</b>	DC input power	Connected to DC input power source Connected from DC power suupy (PWM converter) within max. 30m
<b>U, V, W</b>	Inverter Output	Connected to braking resistor
<b>G</b>	Grounding	Used for inverter frame earth
<b>FAN1, FAN2</b>	Internal cooling fan and MC drive power source	Connected to single-phase 220V AC power source

## ■ Control Circuit Terminals

Item	Name	Function	Description
Contact Input	<b>FX</b>	Forward Run / Stop command	● Forward/Reverse RUN Command is ON when closed to CM in NPN input mode.
	<b>RX</b>	Reverse Run / Stop command	● Motor stops when FX/RX is ON or OFF at the same time.
	<b>BX</b>	Emergency Stop	● ON when closed to CM in NPN input mode, Free-run to Stop and deceleration to stop. It does not trigger fault alarm signal.
	<b>RST</b>	Fault Reset	Resets when fault condition is cancelled.
	<b>P1(MMO) P2(MM1) P3(ATO) P4(FHM) P5(BAT) P6(BRC) P7(MCC)</b>	Multi-function input contact	● 1 function can be selected among 42 different functions as shown below. (Multi-step speed 1 / 2 / 3, Jog, MOP Up / Down / Save / Clear, Analog Hold, Main Drive, 2nd function, Accel./ Decel. Time selection, Reverse rotation prevention, Process PI Disable, Timer input, Soft start cancel, ASR P/PI Gain switch-over, ASR P/PI switch-over, Flux command value switch-over, Pre-excitation, Speed/Torque control, Torque limit ON/Off, Torque bias ON/Off, Battery operation On/Off, Low voltage trip detection prevention)
	<b>CM</b>	COMMON	● In NPN input mode, it turns On when each contact is closed to CM terminal. ● In PNP input mode, it turns On when each contact is closed to external 24V input.
	Analog input	<b>VREF</b>	Power supply for analog setting
<b>AI1</b>		Voltage / Current Signal Input	● Voltage input (-10 → 10V, 10 → -10, 0 → 10V, 10 → 0V) current input (0 → 20mA, 20 → 0mA), Motor NTC/PTC are selectable via Multi-function Analog input.
<b>AI2</b>			● Jumper setting in Voltage Input: Jumper set as default → AI1, AI2: Jumper set on left side, AI3 Switch set on left side ● Jumper setting in Current Input → AI1, AI2: Jumper set on right side
<b>AI3/Them</b>		Voltage Input Motor NTC/PTC Input	● SW setting in motor NTC (Higen motor)/PTC input > AI3: switch set on right("Them") side. ● Selectable 15 functions as following: (Speed, Process PID controller, Process PI controller feedback, Draw, Torque, Magnetic flux, Torque bias, Torque limit, Motor NTC/PTC...)
<b>5G</b>		COMMON	● COMMON terminal for Analog input

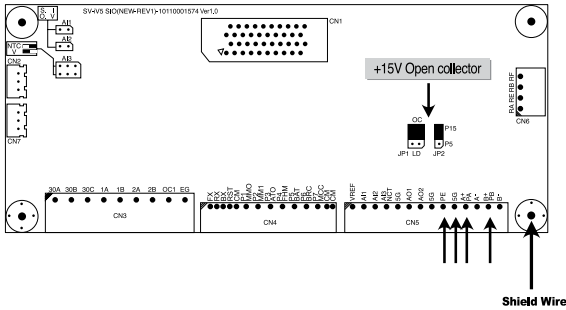
Encoder input	PE	P/S (Power supply)	+5V Line Drive Power
	GE	for Pulse Encoder <sup>1)</sup>	0V
	A+	Encoder A-phase signal	<ul style="list-style-type: none"> <li>● A, B signal for Line Drive Type Encoder.</li> <li>● Set the JP2 switch at "P5" on I/O PCB and set the JP4 switch to "LD" for the use of Line Drive. * Jumper set as default</li> </ul>
	A-		
	B+	Encoder B-phase signal	
	B-		
PE	P/S (Power supply)	+5V Open Collector Power	
GE	for Pulse Encoder <sup>Note 1)</sup>	0V	
Encoder Output	PA	Encoder A-phase signal	<ul style="list-style-type: none"> <li>● A, B signal for Complementary or Open Collector Type Encoder.</li> <li>● Set the JP2 switch at "P15" on I/O PCB and set the JP4 switch to "OC" for the use of Open Collector.</li> </ul>
	PB	Encoder B-phase signal	
	Z+(PZ)	Encoder Z-phase signal	Caution) The usages of Z-phase signal are as follows and its functions will be available soon.
	Z-		<ul style="list-style-type: none"> <li>● Use for Z-phase pulse provided encoders.</li> <li>● Z+ and Z- signals are used for Line Drive type, so set the JP5 switch to "LD"</li> <li>● PZ signal is used for Open Collector type, so set the JP5 switch to "OC"</li> </ul>
	RA	Encoder signal output: A-phase	Encoder A, B phase signal output - Open Collector Type <sup>Note4</sup>
	GE	Output Common	
RB	Encoder signal output: B-phase		
GE	Output Common		
Analog Output	AO1	Analog Output 1	<ul style="list-style-type: none"> <li>● -10 → 10V, 10 → -10, 0 → 10V, 10 → 0V output</li> </ul>
	AO2	Analog Output 2	<ul style="list-style-type: none"> <li>● Selectable among 41 functions</li> </ul> (Analog input value, Pre Ramp Reference, Post ramp reference, ASR Input Reference, Motor Rotating Speed, Speed Deviation, ASR Output, Torque bias, Positive Trq Limit, Negative Trq Limit, Regeneration Trq Limit, Torque Reference, Torque current ref., Torque current, Flux reference, Flux Current ref., Flux Current, ACR output of axis Q, ACR output of axis D, Voltage reference of axis D, Voltage reference of axis Q, Output current, Output voltage, Output power, DC LINK voltage, Process PI reference, Process PI Feedback, Process PI output, Motor temperature, Motor temperature, Inverter temperature, Inverter i2t)
	5G	COMMON	<ul style="list-style-type: none"> <li>● COMMON terminal for Analog input</li> </ul>
Relay output	1A	Multi-function relay output 1 (A Contact)	<ul style="list-style-type: none"> <li>● Selectable among 41 functions</li> </ul> (Inverter ready, Zero speed detection Seed detection, Speed detection (ABS), Speed arrival, Timer out, Low voltage alarm, run, regenerating, Motor overheat warning, Inverter overheat warning, Speed agree, Touque detection, Torque limit detection, Overload warning, Stop, Steady run, Brake output, WEB brake, UP to speed, False core)
	1B		
	2A	Multi-function relay output 2 (A Contact)	
	2B		
	OC1	Open Collector Output	
	EG		
30A	Fault alarm A contact	<ul style="list-style-type: none"> <li>● Outputs when fault occurs.</li> </ul>	
30B	Fault alarm B contact	<ul style="list-style-type: none"> <li>● Deactived in BX condition.</li> </ul>	
30C	COMMON	<ul style="list-style-type: none"> <li>● COMMON for A, B</li> </ul>	
Switch	JP1	Encoder Input-pulse Type	LD (Line Drive) OC (Open Collector or Complementary)
	JP2 <sup>Note 2)</sup>	Encoder Power Supply	DC +5V / +12V / +15V selectable usages
	JP4 <sup>Note 3)</sup>	PNP/NPN Input mode	PNP/NPN contact Input mode selection

Note 1) Wire Encoder power source according to series I/O board as below. 2.2kW ~ 800kW → PE : "+", GE : "-"

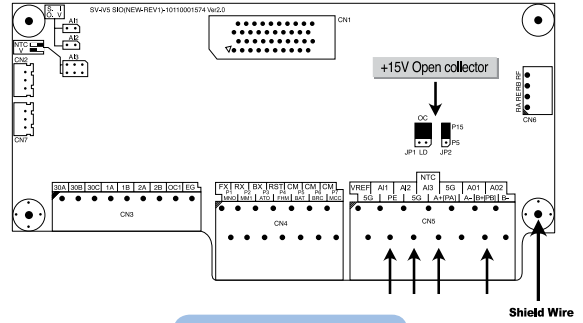
Note 2) I/O board of SV2800~3750iV5 Class is classified into 2 types: 24V and 5/12/15V Encoder power Encoder power is set by PIN(AI4(24V), AI5(5V), AI6(12V), AI7(15V))

Note 3) NPN/PNP Input mode selection are not supported for SV2800~3750iV5 series' I/O board.

1) Encoder wiring and Jumper setup (+15V Complementary or Open collector)

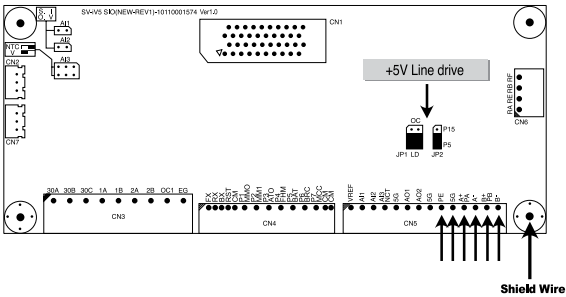


I/O PCB version : V1.0

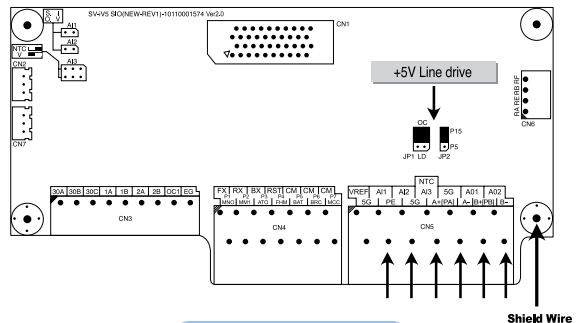


I/O PCB version : V2.0

2) Encoder wiring and Jumper setup (+5V Line drive)

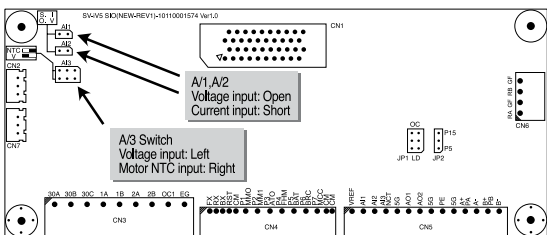


I/O PCB version : V1.0

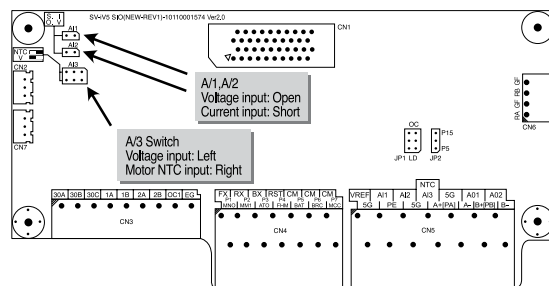


I/O PCB version : V2.0

3) Analog Input Jumper setup (Voltage/ Current/ Motor NTC inputs)



I/O PCB version : V1.0



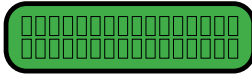
I/O PCB version : V2.0



**Warning**

- Do not change the jumper set for the encoder type during operation. The Jumper type change during operation results in a serious system damage. Jumpers should be set properly before the drive operation.
- The NTC input of the analog input 3(AI3) is only available with OTIS-LG motors. Use of different type of NTC may cause the motor damage due to overheating.





■ Data and status display



■ Shift between function groups  
■ Shifting from group code to the upper code



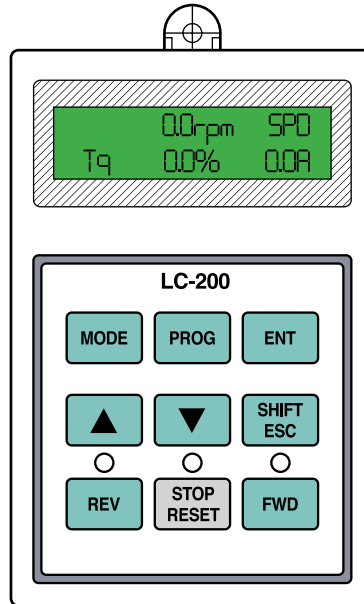
■ Function code shift  
■ Shift to next function code  
■ Data increase in set up mode



■ Reverse run command key  
■ Only available, with loader operation  
■ LED is turned ON with reverse run  
■ Blinks during Acc/Deceleration of reverse run



■ Shift to function code  
■ Shift to previous code  
■ Data is decreased in set up mode



■ Data set up start



■ Data set up completion



■ Decimal point shift  
■ Only available in case of data setup



■ Forward run command key  
■ Only available with loader operation  
■ LED is turned on with forward operation  
■ Blinks during Acc/Deceleration of forward operation



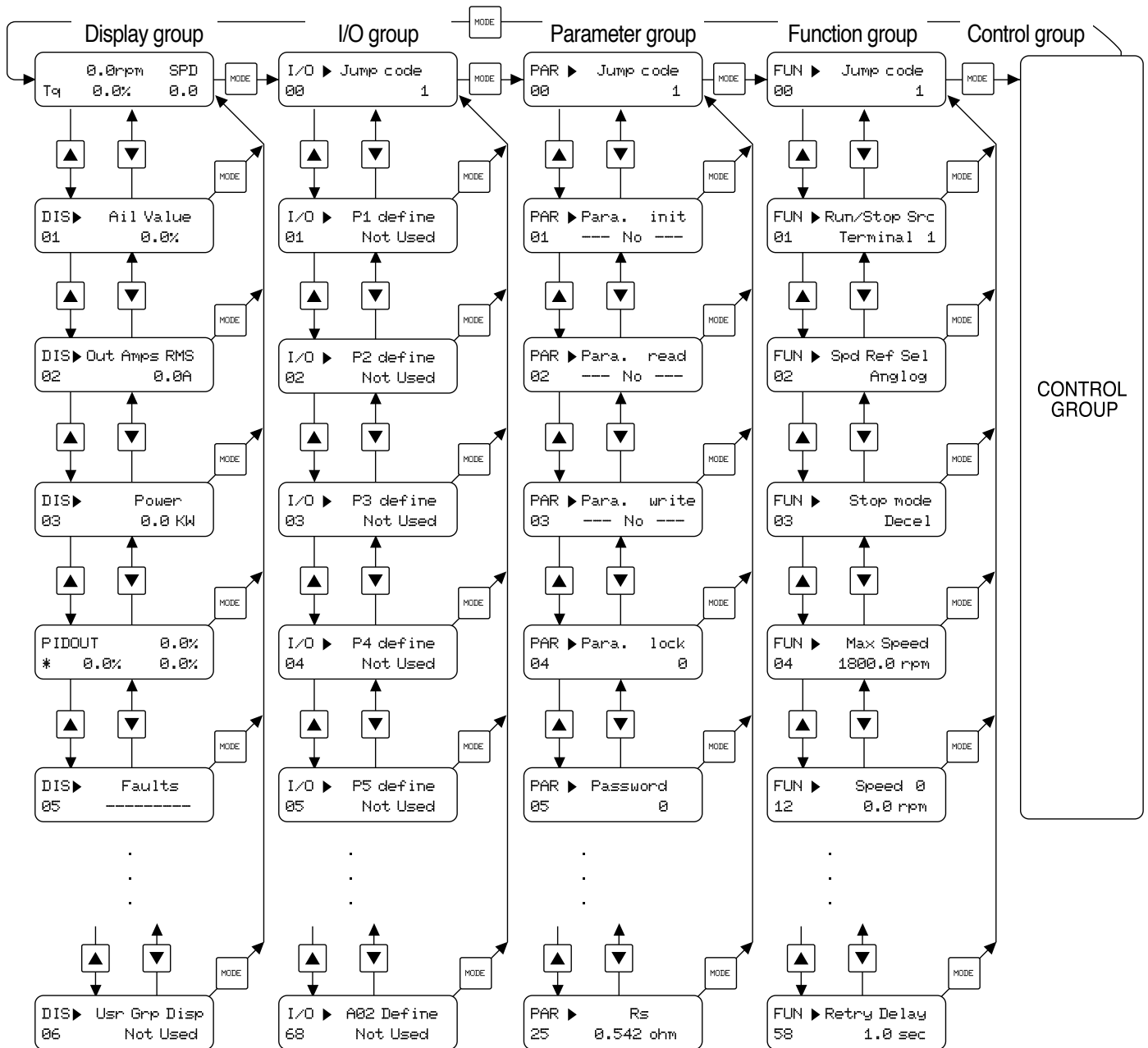
■ Stop command  
■ Available with the loader operation  
■ LED is turned on when drive stops its operation  
■ Blinks when fault occurs  
■ Reset  
■ Fault reset

## ■ Loader Use Instruction

Classification	Display	Function Name	Function
KEY	MODE	Mode Key	shift between groups. shift from a group code to upper code.
	PROG	Program Key	Parameter setting value change.
	ENT	Enter Key	Saving altered setting values.
	▲ (up)	Up Key	Shift between codes and increase the parameter value.
	▼ (down)	Down Key	Shift between codes and decrease the parameter value.
	Shift/ESC	Shift/ESC Key	In case of set up mode, it is operated with the shift key. Operation with ESC key in non-set up mode.
	REV	Reverse run	Reverse run key.
	STOP/RESET	Stop/Reset Key	Stop key when drive is on operation.
LED	(REV)	Reverse run key	Turns on at reverse operation. Blinks while the drive is on Acc/Deceleration and then turns on the constant speed operation.
	(STOP/RESET)	Stop/Fault display	Turns off when drive stops operation. Blinks when fault occurs.
	(FWD)	Forward Run Display	Turns on during forward operation. Acc/Deceleration running modes blink the lamp and it is turned on in the forward operation.

■ Shifts between each groups and codes in LCD loader

The [MODE] key is used for transfer to the other group and the [▲UP] and the [▼down] keys are used to move up and down in the same group.



● The user group and the second group are omitted between shifts of each group.

# Function Codes Table

\* ‘ - ’ mark of communication address indicates communication exclusion.

\* Setting during Drive operation (Yes : possible, No : impossible)

## ■ Display Group [ DIS\_ [ ] [ ] ]

Code No.	Comm. Addr	Code Name	LCD Display	Setting Data			Adjustment During Run <sup>1)</sup>
				Range	Unit	Default	
DIS_00	-	Motor Speed/Control Mode OutputTorque/Output Current	0.0rpm Tq 0.0%		SPD 0.0A	-	-
DIS_01	-	User Display 1	Ai1 Value		%	PreRamp Ref	Yes
			Ai2 Value		%		
			Ai3 Value		%		
			Ai4 Value <sup>1)</sup>		%		
			Ai5 Value <sup>1)</sup>		%		
			PreRamp Ref		rpm		
			PostRamp Ref		rpm		
			ASR Inp Ref		rpm		
			Motor Speed		rpm		
			Motor SpdEst		rpm		
			Speed Dev		rpm		
			ASR Out		%		
			Torque Bias		%		
			PosTrq Limit		%		
			NegTrq Limit		- %		
			RegTrq Limit		%		
			Torque Ref		%		
			IqeRef		A		
			Iqe		A		
			Flux Ref		%		
			Ide Ref		A		
			Ide		A		
			ACR_Q Out		V		
			ACR_D Out		V		
			VdeRef		V		
			VqeRef		V		
			Out Amps RMS		A		
			Out Volt RMS		V		
			Power		kW		
			DC Bus Volt		V		
			Proc PI Ref		%		
			Proc PI F/B		%		
			Proc PI Out		%		
MotTemp NTC		deg					
Inv Temp		deg					
Inv i2t		%					
MP Output		%					
Ctrl Mode		-					
S/W Version		-					
Run Time		-					
Terminal In		-					
Terminal Opt		-					
Terminal Out		-					
Run Status		-					
Diameter <sup>2)</sup>		%					
Line SPD CMD <sup>2)</sup>		%					
Reel SPD <sup>2)</sup>		%					
PhInOpenLvl		V					
DIS_02	-	User Display 2	Same as the range of		DC Bus Volt	Yes	
DIS_03	-	User Display 3	‘DIS_01’		Terminal In	Yes	
DIS_04	-	Process PID Output Ref / FB	PID Output *xx.x%		0.0% 0.0%	-	-
DIS_05	-	Faulty Display	Faults	-	-	-	-
DIS_06	7106	Display Setting	Disp	2 (Display ALL)	Used	Yes	

\*Note 1) It is effective only when you use Extended I/O (EXTN\_I/O).

2) It is displayed on WEB control Mode.

■ Digital DIO Group [ DIS\_ [[] ] ]

Code No.	Comm. Addr	Code Name	LCD Display	Setting Data			Adjustment During Run
				Range	Unit	Default	
DIO_00	-	Jump for quick view	Jump Code	1 ~ 98	-	-	Yes
DIO_01	7201	Multi-function Input Terminal P1 definition	P1 define	0 (Not Used)	-	0 (Not Used)	No
				1 (Speed-L)			
				2 (Speed-M)			
				3 (Speed-H)			
				4 (Jog Speed)			
				5 (MOP Up)			
				6 (MOP Down)			
				7 (MOP Clear)			
				8 (MOP Save)			
				9 (Analog Hold)			
				10 (Main Drive)			
				11 (2nd Func)			
				12 (Xcel-L)			
				13 (Xcel-H)			
				14 (3-Wire)			
				15 (Ext Trip-B)			
				16 (Prohibit FWD)			
				17 (Prohibit REV)			
				18 (Proc PID Dis)			
				19 (Timer Input)			
				20 (SoftStrtCncl)			
				21 (ASR Gain Sel)			
				22 (ASR P/PI Sel)			
				23 (Flux Ref Sel)			
				24 (PreExcite)			
				25 (Spd/Trq Sel)			
				26 (Use Max Trq)			
				27 (Use Trq Bias)			
				28 (AuxSpdEnable)			
				30 (Battery Run) <sup>2)</sup>			
				39 (Synch Disable) <sup>3)</sup>			
				40 (Synch Hod) <sup>3)</sup>			
				41 (LVT Disable)			
				42 (Dia Hold) <sup>1)</sup>			
43 (Dia Preset) <sup>1)</sup>							
44 (CoreSize-L) <sup>1)</sup>							
45 (CoreSize-H) <sup>1)</sup>							
46(TensionDisable) <sup>1)</sup>							
47 (PI Gain Sel) <sup>1)</sup>							
48 (PID ITerm Clr) <sup>1)</sup>							
49 (Taper Disable) <sup>1)</sup>							
50 (Stall Enable) <sup>1)</sup>							
51 (Boost Enable) <sup>1)</sup>							
52 (Quick Stop) <sup>1)</sup>							
53 (Jog Web Fwd) <sup>1)</sup>							
54 (Jog Web Rev) <sup>1)</sup>							
55 (Under Wind) <sup>1)</sup>							
56 (Unwinder) <sup>1)</sup>							

Code No.	Comm. Addr	Code Name	LCD Display	Setting Data			Adjustment During Run
				Range	Unit	Default	
DIO_02	7202	P2 definition	P2 define	Same as the range of 'DIO_1'	-	0 (Not Used)	No
DIO_03	7203	P3 definition	P3 define		-	0 (Not Used)	No
DIO_04	7204	P4 definition	P4 define		-	0 (Not Used)	No
DIO_05	7205	P5 definition	P5 define		-	0 (Not Used)	No
DIO_06	7206	P6 definition	P6 define		-	0 (Not Used)	No
DIO_07	7207	P7 definition	P7 define		-	0 (Not Used)	No
DIO_08	-	Negative function of multi-function input terminal	Neg Func. In		0000000 ~ 1111111	bit	0000000
DIO_09	7209	Multi-function Input LPF time constant	Terminal LPF	0 ~ 2000	-	5	Yes
DIO_10	-	Negative function of multi-function auxiliary output terminal	Neg Func. Out	00000~ 11111	bit	00000	No
DIO_41	7229	Definition of AX1	AX1 Define	0 (Not Used)	-	0 (Not Used)	Yes
				1 (INV Ready)			
				2 (Zero Spd Det)			
				3 (Spd Det.)			
				4 (Spd Det(ABS))			
				5 (Spd Arrival)			
				6 (Timer Out)			
				7 (LV Warn)			
				8 (Run)			
				9 (Regenerating)			
				10 (Mot OH Warn)			
				11 (Inv OH Warn)			
				12 (Spd Agree)			
				13 (Trq Det.)			
				14 (Trq Lmt Det.)			
				15 (OverLoad)			
				16 (Stop)			
17 (MC on/off)							
18 (Steady)							
19 (Brake Output)							
25 (WEB Break) <sup>1)</sup>							
26 (Up To Spd) <sup>1)</sup>							
27 (False Core) <sup>1)</sup>							
DIO_42	722A	Definition of AX2	AX2 Define	Same as the range of 'DIO_41'	-	0 (Not Used)	Yes
DIO_43	722B	Definition of OC1	OC1 Define		-	0 (Not Used)	Yes
DIO_46	722E	Fault relay mode selection	Relay Mode	000 ~ 111	bit	011	Yes

Code No.	Comm. Addr	Code Name	LCD Display	Setting Data			Adjustment During Run	
				Range	Unit	Default		
DIO_47	722F	Zero speed detection level	ZSD Level	0.0 ~ 480.0	rpm	10.0	Yes	
DIO_48	7230	Zero speed detection band	ZSD Band	0.1 ~ 10.0	%	0.5	Yes	
DIO_49	7231	Speed detection level	SD Level	-3600 ~ 3600	rpm	0	Yes	
DIO_50	7232	Speed detection band	SD Band	0.1 ~ 10.0	%	0.5	Yes	
DIO_51	7233	Speed arrival band	SA Band					
DIO_52	7234	Speed deviation band	SEQ Band					
DIO_53	7235	Torque detection level	TD Level	0.0 ~ 250.0	%	0.0	Yes	
DIO_54	7236	Torque detection band	TD Band	0.1 ~ 10.0	%	0.5	Yes	
DIO_55	7237	Timer On delay time	TimerOn Dly	0.1 ~ 3600.0	sec	0.1	Yes	
DIO_56	7238	Timer Off delay time	TimerOff Dly	0.1 ~ 3600.0	sec	0.1	Yes	
DIO_57	7239	Overload	Warning level	OL Level	30 ~ 250	%	150	Yes
DIO_58	723A		Warning time	OL Time	0 ~ 30	sec	10	Yes
DIO_59	723B		Trip selection	OLT Select	0 (No) / 1 (Yes)	-	1 (Yes)	Yes
DIO_60	723C		Trip level	OLT Level	30 ~ 250	%	180	Yes
DIO_61	723D		Trip time	OLT Time	0 ~ 60	sec	60	Yes
DIO_62	723E	warning temp.	Temp	50 ~ 85	deg	75	Yes	
DIO_63	723F	Drive overheat warning band	IH Warn Band	0 ~ 10	deg	5	Yes	
DIO_64	7240	Motor overheat warning temp.	MH Warn Temp	75 ~ 130	deg	120	Yes	
DIO_65	7241	Motor overheat warning band	MH Warn Band	0 ~ 10	deg	5	Yes	
DIO_67	7243	MC ON delay time <sup>4)</sup>	MC Timer Off	100 ~ 50000	msec	1000	No	
DIO_68	7244	MC OFF delay time <sup>4)</sup>	MC Timer Off	100 ~ 50000	msec	1000	No	
DIO_95	725F	Drive station address	Inv Number	1 ~ 250		1	No	
DIO_96	7260	485 BaudRate	485 BaudRate	0 (1200)	bps	9600	No	
				1 (2400)				
				2 (4800)				
				3 (9600)				
				4 (19200)				
5 (384000)								
DIO_97	7261	How to Run at Lost command	Lost Command	0 (None)	-	0 (None)	No	
				1 (FreeRun)				
				2 (Stop)				
DIO_98	7262	<sup>4)</sup>	Timer	10 ~ 300	sec	10	No	

\*Note 1) Displayed WEB Control mode setting.

2) It can be set at 5.5 ~ 22 kW-2/4 class.

3) It will be displayed as CON\_02 sets to 'Synchro' when Synchronization option board is installed.

4) It will be displayed when the definition of multi-function output sets as 'MC On/Off'.

5) It will be displayed RS-485 communication option board is installed. Refer to the user manual for RS485/Modbus-RTU option board (iP5A/iV5).

### ■ Parameter group [ PAR\_ [ ] [ ] ]

Code No.	Comm. Addr	Code Name	LCD Display	Setting Data			Adjustment During Run	
				Range		Unit		Default
PAR_00	-	Jump for quick view	Jump Code	1 ~ 38		-	-	Yes
PAR_01	7301	Initialize parameters	Para. init	0 (No)	0 (No)	-	0 (No)	No
				2 (DIS)	2 (DIS)			
				4 (PAR)	4 (PAR)			
				6 (CON)	6 (CON)			
				8 (AIO)	8 (AIO)			
				10 (2ND)	10 (2ND)			
				12 (SYN)	12 (SYN)			
14 (SLS)	14 (SLS)							
PAR_02	-	Read parameters	Para. read	0(No) / 1(Yes)		-	0(No)	No
PAR_03	-	Write parameters	Para. write	0(No) / 1(Yes)		-	0(No)	No
PAR_04	-	Parameter write protection	Para. lock	0 ~ 255		-	0	Yes
PAR_04	-	Password	Password	0 ~ 9999		-	0	Yes
PAR_07	7307	Motor capacity selection	Motor select	0 (2.2)	1 (3.7)	kW	-	No
				2 (5.5)	3 (7.5)			
				4 (11.0)	5 (15.0)			
				6 (18.5)	7 (22.0)			
				8 (30.0)	9 (37.0)			
				10 (45.0)	11 (55.0)			
				12 (75.0)	13 (90.0)			
				14 (110.0)	15 (132.0)			
				16 (160.0)	17 (220.0)			
				18 (280.0)	19 (315.0)			
				20 (375.0)				
21 (User Define) <sup>1)</sup>								
PAR_08	7308	Motor cap. selection of USER	UserMotorSel	0.7 ~ 500.0		kW	5.5	No
PAR_09	7309	Motor cooling type	Cooling Mtd	0 (Self-cool) 1 (Forced-cool)		-	1 (Forced cool)	Yes
PAR_10	730A	Pulse no.	Enc Pulse	360 ~ 4096		-	1024	No
PAR_11	730B	Direction setting	Enc Dir Set	0 (A Phase Lead) 1 (B Phase Lead)		-	0 (A Phase Lead)	No
PAR_12	730C	Error check enabling	Enc Err Chk	0 (No) / 1 (Yes)		-	1 (Yes)	No
PAR_13	730D	LPF time constant	Enc LPF	0 ~ 100		ms	1	Yes
PAR_14	730E	Error detection time	EncFaultTime	0.00 ~ 10.00		sec	0.00	No
PAR_15	730F	speed	EncFaultPerc	0.0 ~ 50.0		%	25.0	No
PAR_17	7311	Base speed	Base Speed	100.0 ~ 3600.0		rpm	1800.0	No
PAR_18	7312	Rated voltage	Rated Volt	120 ~ 560		V	-	No
PAR_19	7313	Number of poles	Pole number	2 ~ 12		-	4	Yes
PAR_20	7314	Efficiency	Efficiency	70.0 ~ 100.0		%	-	Yes
PAR_21	7315	Rated slip	Rated-Slip	10 ~ 250		rpm	-	Yes
PAR_22	7316	Rated current	Rated-Curr	1.0 ~ 1000.0		A	-	Yes
PAR_23	7317	Input power source selection	AC In Volt	170 ~ 230 320 ~ 480		V	-	No
PAR_24	7318	Auto tuning type selection <sup>2)</sup>	Auto Tune Type	0 (Rotational) 1 (Standstill)		-	0 (Rotational)	

Code No.	Comm. Addr	Code Name	LCD Display	Setting Data			Adjustment During Run
				Range	Unit	Default	
PAR_25		Auto tuning range setting <sup>2)</sup>	Auto Tuning	None ALL1/ALL2 Encoder Test Rs Tuning Lsigma Flux Curr Ls Tuning Tr Tuning Inertia Tuning <sup>4)</sup>	-	None	No
PAR_26	731A	Tuning Torque	Tune Torque	10.0 ~ 100.0	%	70	Yes
PAR_27	731B	Motor flux current	Flux-Curr	70% to 0.0 ~ PAR_22	A	-	Yes
PAR_28	731C	Motor time constant	Tr	30 ~ 3000	ms	-	Yes
PAR_29	731D	Leakage inductance	Ls	0.00 ~ 500.00	mH	-	Yes
PAR_30	731E	Leakage coefficient	Lsigma	0.00 ~ 100.00	mH	-	Yes
PAR_31	731F	Stator resistance	Rs	0.000 ~ 5.000	ohm	-	Yes
PAR_34	7322	Encoder pulse multiplication <sup>3)</sup>	Enc Scale	x1 / x16 / x32 / x64	-	x 1	No
PAR_35	7323	Selection for motor inertia tuning	Inertia Tune	0 (No) / 1 (Yes)	-	0 (No)	No
PAR_36	7324	Factor of motor inertia	Inertia	0.001 ~ 60.000	kg·m <sup>2</sup>	-	Yes
PAR_37	7325	Acc./Dec. time of Inertia tuning	J Spd Time	0.500 ~ 10.000	sec	0.500	No
PAR_38	7326	Inertia LPF	Inertia LPF	0.010 ~ 50.000	ms	0.100	No

\*Note 1) When PAR\_07 is set to "User Define", PAR\_08 will be displayed.

2) If PAR\_24 (Auto-tuning type selection) is set to No.1 "Standstill", the order of display in PAR\_25 (Auto-tuning range setting) will be None ⇒ ALL ⇒ Rs Tuning ⇒ Lsigma ⇒ If/Tr/Ls Tune.

3) Caution: PAR\_33 (Enc Scale) Code is necessary only in the case of installation of SIN/COS Encoder option board, Don't modify the default value "X1" when not using SIN/COS Encoder board. If you modify the value, the normal operation isn't possible. For any extra information in detail, refer to the option dedicated manual.

4) It will be displayed when PAR\_35(Selection for motor inertia tuning) sets as 'Yes'.



■ Function group [ FUN\_ [ ] [ ] ]

Code No.	Comm. Addr	Code Name	LCD Display	Setting Data			Adjustment During Run
				Range	Unit	Default	
FUN_00	-	Jump for quick view	Jump Code	1 ~ 85	-	-	Yes
FUN_01	7401	RUN/STOP command source selection	Run/Stop Src	0 (Terminal 1) 1 (Terminal 2) 2 (Keypad) 3 (Option)	-	0 (Terminal 1)	No
FUN_02	-	Speed setting source selection	Spd Ref Sel	0 (Analog) 1 (Keypad1) 2 (Keypad2) 3 (Option) 6 (Line SPD Ref) <sup>1)</sup> 7 (Line SPD Opt) <sup>1)</sup>	-	1 (Keypad1)	No
FUN_03	7403	Stop mode selection	Stop mode	0 (Decel) 1 (Free-run)	-	0 (Decel)	No
FUN_04	7404	Max. motor speed	Max Speed	400.0 ~ 3600.0	rpm	1800.0	No
FUN_05	7405	Min. motor speed	Min Speed <sup>2)</sup>	0.0 ~ 500.0		0.0	No
FUN_12	740C	Multi-step speed	Speed 0	0.0 ~ Max Speed		0.0	Yes
FUN_13	740D		Speed 1			0.0	Yes
FUN_14	740E		Speed 2			0.0	Yes
FUN_15	740F		Speed 3			0.0	Yes
FUN_16	7410		Speed 4			0.0	Yes
FUN_17	7411		Speed 5			0.0	Yes
FUN_18	7412		Speed 6			0.0	Yes
FUN_19	7413		Speed 7			0.0	Yes
FUN_20	7414	JOG speed	Jog Speed			100.0	Yes
FUN_21	7415	Dwell Speed	Dwell Speed			100.0	No
FUN_22	7416	Dwell Time	Dwell Time	0.00 ~ 100.00		sec	0.00
FUN_33	7421	Acc./Dec. reference Speed	Acc/Dec Ref	0 (Max Speed) 1 (Ref Speed)		0 (Max Speed)	No
FUN_36	7424	S ratio 1 in acceleration start	Acc S Start	0.0 ~ 50.0	%	0.0	No
FUN_37	7425	S ratio 2 in acceleration start	Acc S End			0.0	No
FUN_38	7426	S ratio 1 in acceleration start	Dec S Start			0.0	No
FUN_39	7427	S ratio 2 in acceleration start	Dec S End			0.0	No
FUN_40	7428	Time scale of acc./dec. time	Time scale	0 (0.01 sec) 1 (0.1 sec)	-	0.0	No
FUN_41	7429	Acceleration time 1	Acc Time-1	0.00 ~ 6000.0	sec	2.00 <sup>2)</sup>	Yes
FUN_42	742A	Deceleration time 1	Dec Time-1			2.00 <sup>2)</sup>	Yes
FUN_43	742B	Acceleration time 2	Acc Time-2			3.00 <sup>2)</sup>	Yes
FUN_44	742C	Deceleration time 2	Dec Time-2			3.00 <sup>2)</sup>	Yes
FUN_45	742D	Acceleration time 3	Acc Time-3			4.00 <sup>2)</sup>	Yes
FUN_46	742E	Deceleration time 3	Dec Time-3			4.00 <sup>2)</sup>	Yes
FUN_47	742F	Acceleration time 4	Acc Time-4			5.00 <sup>2)</sup>	Yes
FUN_48	7430	Deceleration time 4	Dec Time-4			5.00 <sup>2)</sup>	Yes
FUN_49	7431	Selection about use of zero speed time	Use 0 Dec T	0 (No) / 1 (Yes)	-	0 (No)	Yes
FUN_51	7433	Dec.time of zero speed	0 Dec Time	0.00 ~ 6000.0	sec	0.00	Yes
FUN_52	7434	Dec. time of emergent stop	BX Time	0.0 ~ 6000.0	sec	0.0	Yes
FUN_53	7435	Initial excitation time of motor	PreExct Time	0 ~ 10000	ms	0	No

Code No.	Comm. Addr	Code Name	LCD Display	Setting Data			Adjustment During Run	
				Range	Unit	Default		
FUN_54	7436	Hold time	Hold Time	100 ~ 10000	ms	1000	No	
FUN_55	7437	Electronic thermal level for 1 minute	ETH Select	0 (No) / 1 (Yes)	-	0 (No)	Yes	
FUN_56	7438	Electronic thermal level for continuous	ETH 1 min	FUN_56 ~ 200	%	150	Yes	
FUN_33	7439	Switching frequency select	ETH Cont	50 ~ FUN_55 (Only available to 150%)	%	100	Yes	
FUN_58	743A	selection	PWM Freq	2.5 ~ 10.0 <sup>4)</sup>	kHz	to drive capacity	No	
FUN_59	743B	Restart after fault reset	Power-on Run	0 (No) / 1 (Yes)	-	0 (No)	Yes	
FUN_60	743C	Number of auto restart try	RST Restart	0 (No) / 1 (Yes)	-	0 (No)	Yes	
FUN_61	743D	Delay time before Auto restart	Retry Number	0 ~ 10	-	0	Yes	
FUN_62	743E	Wait time for Restart upon Stop	Retry Delay	0.0 ~ 60.0	sec	1.0	Yes	
FUN_63	743F	Overspeed Detection Level	Restart Time <sup>5)</sup>	0.00 ~ 10.00	sec	0.00	No	
FUN_64	7440	Overspeed Detection Time	OverSpdLevel	100.0 ~ 130.0	%	120.0	No	
FUN_65	7441	Electronic thermal level for 1 minute	OverSpd Time	0.00 ~ 2.00	sec	0.00	No	
FUN_66	7442	Brake	Open Time <sup>6)</sup>	BKOpen Time	0.00 ~ 30.00	sec	0.00	No
FUN_67	7443		Open Speed <sup>6)</sup>	BKOpen Spd	0.0 ~ 500.0	rpm	0.0	No
FUN_68	7444		Open Current <sup>6)</sup>	Release Curr	0.0 ~ 150.0	%	20.0	No
FUN_69	7445		Close Time <sup>6)</sup>	BKClose Time	0.00 ~ 30.00	sec	0.00	No
FUN_70	7446		Close Speed <sup>6)</sup>	BKClose Spd	0.0 ~ 500.0	rpm	0.0	No
FUN_71	7447		Run selection	RegenAvd Sel	0 (No) / 1 (Yes)	-	0 (No)	No
FUN_72	7448		Run voltage level <sup>7)</sup>	RegenAvd Lvl	600(300) ~ 800(400)	V	700(350)	No
FUN_73	7449		Speed limitation <sup>7)</sup>	CompFreq Lmt	0.0 ~ 500.0	rpm	100.0	No
FUN_74	744A		Speed P gain <sup>7)</sup>	RegenAvd P	0.0 ~ 300.0	%	50.0	Yes
FUN_75	744B	Speed I gain <sup>7)</sup>	RegenAvd I	20 ~ 30000	ms	500	Yes	
FUN_76	744C	Speed in battery-operated mode <sup>8)</sup>	Batt. Speed	2.5 ~ 200.0	rpm	50.0	No	
FUN_77	744D	Battery input voltage <sup>8)</sup>	Batt. Volt	12 ~ PAR_18	V	48	No	
FUN_78	744E	Check of input phase-open	PhInOpenChk	0 (No) / 1 (Yes)	-	1 (Yes)	No	
FUN_79	7450	Check level of input phase-open	PhInOpenLvl	2.0 ~ 100.0	V	3.0	Yes	
FUN_80	7451	Check of output phase-open	PhOutOpenChk	0 (No) / 1 (Yes)	-	1 (Yes)	No	
FUN_81	7452	Max. auxiliary speed	AuxSpeedMax	0.0~500.0	rpm	10.0	Yes	
FUN_82	7453	Calculation method of auxiliary speed	AuxSpeedType	0 ~ 1	-	0	No	
FUN_83	7454	Acc. time of auxiliary speed	AuxAccTime	0.00 ~ 600.00	sec	2.00	No	
FUN_84	7455	Dec. time of auxiliary speed	AuxDecTime	0.00 ~ 600.00	sec	2.00	No	
FUN_85	7456	Absolute/Relative mode for auxiliary speed	AuxSpeedMode	0(Absolute) 1(Relative)	-	0 (Absolute)	No	

\*Note 1) It will be displayed when WEB control mode is set.

2) It will be displayed when CON\_01 is set to Sensorless.

3) A default value of a time of acceleration and deceleration is different from the setting capacity of drive.

4) Minimum/Maximum values are different from the capacity of drive.

5) It will be displayed when FUN\_03 (Stop method) is set to 'Free-run'.

6) It will be displayed when the definition of DIO\_41 to DIO\_43 (Auxiliary output terminal of multi-funTION) is set to 'Brake Output'.

7) It will be displayed when FUN\_71 is set to 'Yes'.

8) It can set for only 5.5 ~ 22 kW/2/4 products in case 'Battery Run' of multi-funTION input terminal (P1 ~ P&) is turned On.

## ■ Control group [ CON\_ [ ] [ ] ]

Code No.	Comm. Addr	Code Name	LCD Display	Setting Data			Adjustment During Run	
				Range	Unit	Default		
CON_00	-	Jump for quick view	Jump Code	1 ~ 80	-	-	Yes	
CON_01	7501	Control mode setting	Control Mode	1 (Speed) 2 (Torque) 3 (Sensorless)	-	1 (Speed)	No	
CON_02	-	Application mode setting	Application	General Vect Elevator <sup>1)</sup> Synchro <sup>2)</sup> WEB Control	-	General Vect	No	
CON_03	7503	ASR	P Gain 1	ASR P Gain1	0.1 ~ 200.0	%	50.0	Yes
CON_04	7504		I Gain 1	ASR I Gain1	0 ~ 50000	ms	300	Yes
CON_05	7505		LPF time constant 1	ASR LPF1	0 ~ 20000	ms	0	Yes
CON_06	7506		P Gain 2	ASR P Gain2	0.1 ~ 200.0	%	5.0	Yes
CON_07	7507		I Gain 2	ASR I Gain2	0 ~ 50000	ms	3000	Yes
CON_08	7508		LPF time constant 2	ASR LPF2	0 ~ 20000	ms	0	Yes
CON_09	7509		Ramp time for ASR gain	ASR RAMP	10 ~ 10000	ms	1000	Yes
CON_10	750A		Target Speed after ASR gain switch-over	ASR TarSpd	0.0 ~ 3600.0	rpm	0.0	No
CON_11	750B		Reference (Loader)	Proc PID Ref	-100.0 ~ 100.0	%	0.0	Yes
CON_12	750C	Ramp time	PID Ramp	0.00 ~ 600.0	sec	0.00	No	
CON_14	750E	Process ID	P gain	Proc PID Kp	0.0 ~ 999.9	%	0.0	Yes
CON_15	750F		I gain	Proc PID Ki	0.0 ~ 100.0	%	0.0	Yes
CON_16	7510		D gain	PROC PID Kd	0.0 ~ 100.0	%	0.0	Yes
CON_17	7511		Positive limit	Proc Pos Lmt	-100.0 ~ 100.0	%	100	Yes
CON_18	7512		Negative limit	Proc Neg Lmt	-100.0 ~ 100.0	%	100	Yes
CON_19	7513		Output LPF time constant	Proc Out LPF	0 ~ 500	ms	0	Yes
CON_20	7514		Output gain	Proc OutGain	-250.0 ~ 250.0	%	0.0	Yes
CON_21	7515		Type selection	Proc PID Src	0 (Base Speed) 1 (Ref Speed) 2 (SpeedSet)	-	0 (Base Speed)	No
CON_22	7516		Speed Set setting <sup>3)</sup>	PID SpeedSet	1.00 ~ FUN_04	rpm	100.0	No
CON_23	7517		Output Enable	Proc PID Enb	0 (Disable) 1 (Enable) 2 (Terminal)	-	0 (Disable)	No
CON_24	7518	Hold Time	PIDHoldTime	0 ~ 10000	ms	1000	No	
CON_25	7519	Draw quantity	Draw %	-100.0 ~ 100.0	%	0.0	Yes	
CON_26	751A	Droop	Control quantity	Droop %	0.0 ~ 100.0	%	0.0	Yes
CON_27	751B		Base speed	Droop Src	0(Base Spd)/ 1(Ref Spd)	-	1 (Ref Speed)	No
CON_28	751C		Ramp time	Droop Time	0.00 ~ 600.0	sec	2.00	Yes
CON_29	751D		Minimum speed	Droop MinSpd	0.0 ~ 3600.0	rpm	0.0	Yes
CON_30	751E		Minimum torque	Droop MinTrq	0.0 ~ 100.0	%	0.0	Yes
CON_31	751F	Torque	Reference source selection	Trq Ref Src	0 (None) 1 (Analog) 2 (Keypad) 3 (Option)	-	0 (None)	No
CON_32	7520		Reference (keypad)	Torque Ref	-180.0 ~ 180.0	%	0.0	Yes

Code No.	Comm. Addr	Code Name	LCD Display	Setting Data			Adjustment During Run
				Range	Unit	Default	
CON_33	7521	Limit source selection	Trq Lmt Src	0 (Kpd Kpd Kpd)	-	0 (Kpd Kpd Kpd)	No
	1 (Kpd Kpd Ax)						
	2 (Kpd Ax Kpd)						
	3 (Kpd Ax Ax)						
				4 (Ax Kpd Kpd)			
				5 (Ax Kpd Ax)			
				6 (Ax Ax Kpd)			
				7 (Ax Ax Ax)			
				8 (Opt Opt Opt)			
CON_34	7522	Limit in forward run	Pos Trq Lmt	0.0 ~ 250.0	%	150.0	Yes
CON_35	7523	Limit in reverse run	Neg Trq Lmt				
CON_36	7524	Limit in regeneration	Reg Trq Lmt				
CON_37	7525	Bias source selection	Trq Bias Src	0 (None)	-	0 (None)	No
				1 (Analog)			
				2 (Keypad)			
				3 (Option)			
CON_38	7526	Bias quantity	Trq Bias	-150.0 ~ 150.0	%	0.0	Yes
CON_39	7527	Bias feedforward	Trq Bias FF	-150.0 ~ 150.0	%	0.0	Yes
CON_40	7528	Balance quantity	Trq Balance	0.0 ~ 100.0	%	50.0	Yes
CON_54	7536	Speed Search selection	Speed Search	0000 ~ 1111 (Bit setting)	-	0100	No
CON_75	754B	Speed Search time <sup>4)</sup>	SS Time	10 ~ 60000	ms	300	No
CON_76	754C	Speed Search P gain <sup>4)</sup>	SS P Gain	1.0 ~ 300.0	%	100.0	Yes
CON_77	754D	Speed Search I gain <sup>4)</sup>	SS I Gain	1.0 ~ 300.0	%	100.0	Yes
CON_78	754E	Speed Search LPF <sup>4)</sup>	SS LPF	0.1 ~ 300.0	ms	33.3	Yes
CON_79	754F	Speed limit of Speed / Torque switch-over	Spd Lmt Src	0.1 ~ Max Speed	rpm	1800.0	No
CON_80	7550	Speed bias of speed / torque	SpdLmtBias	100.0 ~ Max Speed	rpm	100.0	No

- \*Note 1) It will be displayed only when the E/L\_IO board is installed.  
 2) It will be displayed only when the SYNC\_IO board is installed.  
 5) It will be displayed when CON\_21 (Process PID type) is set to SpeedSet.  
 6) It will be displayed when CON\_01 is set to Sensorless.

## ■ User group [USR\_ [[]]]

Code No.	Comm. Addr	Code Name	LCD Display	Setting Data			Adjustment During Run
				Range	Unit	Default	
USR_00	-	Select Code number	Jump Code	1 ~ 67	-	-	Yes
USR_01	-	Initialize to the initial value adequate to the application	Macro Init	User Define E/L	-	User Define	No
USR_02	-	User data save	User Save	No / Yes	-	No	No
USR_03	-	Recall saved User Data.	User Recall	No / Yes	-	No	No
USR_04	-	User Group Data	User Grp	-	-	-	No

## ■ Second motor Group [ 2nd\_ [[]] ]

Code No.	Comm. Addr	Code Name	LCD Display	Setting Data			Adjustment During Run
				Range	Unit	Default	
2nd_00	-	Jump for quick view	Jump Code	1 ~ 37	-	-	Yes
2nd_01	7801	Control mode setting	2nd Ctl Mode	1 (Speed) 2 (Torque)	-	1 (Speed)	No
2nd_02	7802	Max. speed	2nd Max Spd	400.0 ~ 3600.0	rpm	1800.0	No
2nd_04	7804	Multi-step speed 0	2nd Spd 0	0.0 ~ 2nd_02	rpm	0.0	Yes
2nd_05	7805	S ratio 1 in acceleration start	2nd Acc S St	0.0 ~ 50.0	%	0.0	No
2nd_06	7806	S ratio 2 in acceleration end	2nd Acc S Ed				
2nd_07	7807	S ratio 1 in deceleration start	2nd Dec S St				
2nd_08	7808	S ratio 2 in deceleration end	2nd Dec S Ed				
2nd_09	7809	Acc./Dec. time scale	Time scale 2	0 (0.01 sec) 1 (0.1 sec)	-	0 (0.01 sec)	No
2nd_10	780A	Acceleration time	2nd Acc time	0.00 ~ 6000.0	sec	10.00	Yes
2nd_11	780B	Deceleration time	2nd Dec time				
2nd_12	780C	Cooling method	2nd Cool Mtd	0 (Self-cool) 1 (Forced-cool)	-	0 (Self-cool)	Yes
2nd_13	780D	Encoder pulse no.	2nd Enc #	360 ~ 4096	-	1024	No
2nd_14	780E	Encoder direction setting	2nd Enc Dir	0 (A Phase Lead) 1 (B Phase Lead)	-	0 (A Phase Lead)	No
2nd_15	780F	Encoder error check enable	2nd Enc chk	0 (No) 1 (Yes)	-	1 (Yes)	No
2nd_17	7811	Encoder LPF time constant	2nd Enc LPF	0 ~ 100	ms	1	Yes
2nd_18	7812	Base speed	2nd BaseSpd	300.0 ~ 3600.0	rpm	1800.0	No
2nd_19	7813	Capacity selection	Motor select	Refer to 'PAR_07'	kW	2 (5.5)	No
2nd_20	7814	User defined motor selection	UserMotorSel <sup>1)</sup>	0.7 ~ 500	kW	5.5	No
2nd_21	7815	Rated voltage	2nd R-Volt	120 ~ 560	V	-	No
2nd_22	7816	Number of poles	2nd Pole #	2 ~ 12	-	4	No
2nd_23	7817	Efficiency	2nd Mot Eff.	70 ~ 100	%	-	Yes
2nd_24	7818	Rated slip	2nd R-Slip	10 ~ 250	rpm	-	Yes
2nd_25	7819	Rated current	2nd R-Curr	1.0 ~ 450.0	A	-	Yes
2nd_26	781A	Flux current	2nd Flx Cur	0.0 ~ 70% of 2nd_22	A	-	Yes
2nd_27	781B	Motor time constant	2nd Mot Tr	30 ~ 3000	ms	-	Yes
2nd_28	781C	Leakage inductance	2nd Mot Ls	0.00 ~ 500.00	mH	-	Yes
2nd_29	781D	Leakage coefficient	2nd Mot sLs	0.00 ~ 100.00	mH	-	Yes
2nd_30	781E	Stator resistance	2nd Mot Rs	0.000 ~ 5.000	ohm	-	Yes
2nd_35	7823	Electronic thermal level for 1 minute <sup>1)</sup>	2nd ETH 1min	100 ~ 150	%	150	Yes
2nd_36	7824	Electronic thermal continuous level <sup>1)</sup>	2nd ETH cont	50 ~ 150	%	100	Yes
2nd_37	7825	Inertia coefficient	Inertia	0.001 ~ 60.000	kg·m <sup>2</sup>	0.072	Yes

\*Note 1) It will be displayed when FUN\_55 ETH Select is set to 'Yes'.

■ Option Group [ EXT\_ [ ] [ ] ]

Code No.	Comm. Addr	Code Name	LCD Display	Setting Data			Adjustment During Run
				Range	Unit	Default	
EXT_00	-	Function code selection	Jump Code	1 ~ 99	-	-	Yes
EXT_01	7601	Mounted option board type	Opt B/D	0 (None) 1 (DeviceNet) 2 (Synchro) 3 (PLC-GF) 4 (PROFIBUS) 6 (RS485) 1) 7 (MODBUS)	-	0 (None)	No
EXT_02	7602	Mounted option board version	Opt Version	1.0 ~	Ver -.-		No
EXT_03	7603	Station address for the communication with PLC	Station ID <sup>2)</sup>	0 ~ 63	-	1	Yes
EXT_04	7604	DeviceNet baud rate	Baud Rate <sup>3)</sup>	0 (125)/1 (250)/2 (500)	kbps	0 (125)	-
EXT_05	7605	DeviceNet MAC ID	MAC ID <sup>3)</sup>	0 ~ 63	-	63	-
EXT_06	7606	Read object setting for DeviceNet	Out Instance <sup>3)</sup>	0 (20)/ 1 (21) 2 (100)/ 3 (101)	-	0 (20)	-
EXT_07	7607	Write object setting for DeviceNet	In Instance <sup>3)</sup>	0 (70)/ 1 (71) 2 (110)/ 3 (111)	-	0 (70)	-
EXT_09	7609	Profibus MAC ID	Profi MAC ID	1 ~ 127	-	1	Yes
EXT_10	760A	Number of option output	Output Num	0 ~ 8 <sup>5)</sup>	-	3	Yes
EXT_11	760B	Option output 1	Output 1 <sup>5)</sup>	0000 ~ FFFF	HEX	0020	Yes
EXT_12	760C	Option output 2	Output 2 <sup>5)</sup>	0000 ~ FFFF	HEX	000E	Yes
EXT_13	760D	Option output 3	Output 3 <sup>5)</sup>	0000 ~ FFFF	HEX	000F	Yes
EXT_14	760E	Option output 4	Output 4 <sup>5)</sup>	0000 ~ FFFF	HEX	000A	Yes
EXT_15	760F	Option output 5	Output 5 <sup>5)</sup>	0000 ~ FFFF	HEX	0000	Yes
EXT_16	7610	Option output 6	Output 6 <sup>5)</sup>	0000 ~ FFFF	HEX	0000	Yes
EXT_17	7611	Option output 7	Output 7 <sup>5)</sup>	0000 ~ FFFF	HEX	0000	Yes
EXT_18	7612	Option output 8	Output 8 <sup>5)</sup>	0000 ~ FFFF	HEX	0000	Yes
EXT_19	7613	Number of option input	Input Num	0 ~ 8 <sup>6)</sup>	-	2	Yes
EXT_20	7614	Option input 1	Input 1 <sup>6)</sup>	0000 ~ FFFF	HEX	0502	No
EXT_21	7615	Option input 2	Input 2 <sup>6)</sup>	0000 ~ FFFF	HEX	0500	No
EXT_22	7616	Option input 3	Input 3 <sup>6)</sup>	0000 ~ FFFF	HEX	0000	No
EXT_23	7617	Option input 4	Input 4 <sup>6)</sup>	0000 ~ FFFF	HEX	0000	No
EXT_24	7618	Option input 5	Input 5 <sup>6)</sup>	0000 ~ FFFF	HEX	0000	No
EXT_25	7619	Option input 6	Input 6 <sup>6)</sup>	0000 ~ FFFF	HEX	0000	No
EXT_26	761A	Option input 7	Input 7 <sup>6)</sup>	0000 ~ FFFF	HEX	0000	No
EXT_27	761B	Option input 8	Input 8 <sup>6)</sup>	0000 ~ FFFF	HEX	0000	No
EXT_30	761E	485 communication mode	Parity/Stop <sup>1)</sup>	0 (8None/1Stop) 1 (8None/2Stop) 2 (8Even/1Stop) 3 (8Odd/1Stop)	-	0 (8None/1Stop)	Yes
EXT_31	761F	Delay time of 485 communication response	Delay Time <sup>1)</sup>	2 ~ 1000	ms	5 2	Yes Yes
EXT_32	7620	Station address for built-in 485	Int485 St ID	1 ~ 250	-		Yes
EXT_33	7621	Built-in 485 baudrate	Int485 Baud	0 (1200 bps) 1 (2400 bps) 2 (4800 bps) 3 (9600 bps) 4 (19200 bps) 5 (38400 bps)	-	3 (9600 bps)	Yes

Code No.	Comm. Addr	Code Name	LCD Display	Setting Data			Adjustment During Run
				Range	Unit	Default	
EXT_34	7622	Built-in 485 communication mode	Int485 Mode	0 (8None/1Stop) 1 (8None/2Stop) 2 (8Even/1Stop) 3 (8Odd/1Stop)	-	-	Yes
EXT_35	7623	Delay time for built-in 485 communication response	Int485 Delay	2 ~ 1000	-	0 (None)	Yes
EXT_36	7624	Run method when the command of built-in 485 is lost.	Int485 LostC	0 (None) 1 (FreeRun) 2 (Stop)	-	-	Yes
EXT_37	7625	Decision time for losing the command of built-in 485	Int485 LostT	1.0 ~ 30.0	-	-	Yes
EXT_99	7663	Decision time for losing the command of built-in 485	Comm UpDate <sup>4)</sup>	0 (No) / 1 (Yes)	-	0 (No)	No

- \*Note
- 1) It will be displayed when RS-485 communication option board is installed.
  - 2) It will be displayed when PLC-GF communication option board is installed.
  - 3) It will be displayed when DeviceNet communication option board is installed.
  - 4) It will be displayed when Profibus communication option board is installed.
  - 5) From EXT\_11 to EXT\_18 (Option output) are displayed according to the number from EXT\_11.
  - 6) From EXT\_20 to EXT\_27 (Option input) are displayed according to the number from EXT\_19.
  - 7) Refer to the appropriate option manual.

## ■ Analog AIO Group [AIO\_[][]]

Code No.	Comm. Addr	Code Name	LCD Display	Setting Data			Adjustment During Run
				Range	Unit	Default	
AIO_00	-	Select code number	Jump Code	1 ~ 83	-	-	Yes
AIO_01	7701	Multi-function Analog input Ai1 definition	Ai1 Define	00 (Not Used)	-	0 (Not Used)	No
				01 (Speed Ref)			
				02 (Proc PID Ref)			
				03 (Proc PID F/B)			
				04 (Draw Ref)			
				05 (Torque Ref)			
				06 (Flux Ref)			
				07 (Torque Bias)			
				08 (Torque Limit)			
				09 (Line SPD Ref) <sup>1)</sup>			
				10 (Tension Ref) <sup>1)</sup>			
				11 (Dancer Ref) <sup>1)</sup>			
				12 (Taper Ref) <sup>1)</sup>			
				13 (Tension F/B) <sup>1)</sup>			
				14 (Diameter) <sup>1)</sup>			
		15 (Diam Preset) <sup>1)</sup>					
AIO_02	7702	Source definition	Ai1 Source	0 (-10 ⇒ 10V) 1 (10 ⇒ -10V) 2 (0 ⇒ 10V) 3 (10 ⇒ 0V) 4 (0 ⇒ 20mA) 5 (20 ⇒ 0mA)	-	0 (Not Used)	No
AIO_03	7703	Minimum Voltage	Ai1 In X1	0.00 ~ Ai1 In X2	%	0.00	Yes
AIO_04	7704	Minimum Voltage Bias	Ai1 Out Y1	-10.00 ~ Ai1 Out Y2	%	0.00	Yes
AIO_05	7705	Maximum Voltage	Ai1 In X2	0.00 ~ 100.00	%	100.00	Yes
AIO_06	7706	Maximum Voltage Gain	Ai1 Out Y2	0.00 ~ 250.00	%	100.00	Yes
AIO_07	7707	Minimum Voltage	Ai1 -In X1	Ai1 -In X2 ~ 0.00	%	0.00	Yes
AIO_08	7708	Minimum Voltage Bias	Ai1 -Out Y1	Ai1 -Out Y2 ~ 10.00	%	10.00	Yes
AIO_09	7709	Maximum Voltage	Ai1 -In X2	-100.00 ~ 0.00	%	-100.00	Yes
AIO_10	770A	Maximum Voltage Gain	Ai1 -Out Y2	-250.00 ~ 0.00	%	-100.00	Yes
AIO_11	770B	LPF time constant	Ai1 LPF	0 ~ 2000	ms	-	
AIO_12	770C	Command loss Criterion select	Ai1 Wbroken	0 (None) 1 (Half of x1) 2 (Below x1)	-	0 (None)	No
AIO_13	770D	Multi-function Analog input Ai2 Definition	Ai2 Define				
AIO_14	770E	Source definition	Ai2 Source				
AIO_15	770F	Minimum Voltage	Ai2 In X1				
AIO_16	7710	Minimum Voltage Bias	Ai2 Out Y1				
AIO_17	7711	Maximum Voltage	Ai2 In X2				
AIO_18	7712	Maximum Voltage Gain	Ai2 Out Y2				
AIO_19	7713	Minimum Voltage	Ai2 -In X1				
AIO_20	7714	Minimum Voltage Bias	Ai2 -Out Y1				
AIO_21	7715	Maximum Voltage	Ai2 -In X2				
AIO_22	7716	Maximum Voltage Gain	Ai2 -Out Y2				
AIO_23	7717	LPF time constant	Ai2 LPF				
AIO_24	7718	Loss command Criterion select	Ai2 Wbroken				

Refer to AIO\_01~12

\*Note 1) Displayed only when WEB mode setting



Code No.	Comm. Addr	Code Name	LCD Display	Setting Data			Adjustment During Run			
				Range	Unit	Default				
AIO_25	7719	Multi-function Analog input Ai3 Definition	Ai3 Define	Refer to AIO_01 ∫ Possible to select NTC motor 17 (Use Mot NTC)			0 (Not Used) No			
AIO_26	771A	Source Definition	Ai3 Source	0 (-10 ⇒ 10V)	-	0 (-10 ⇒ 10V)	No			
				1 (10 ⇒ -10V)						
				2 (0 ⇒ 10V)						
				3 (10 ⇒ 0V)						
AIO_27	771B	Minimum Voltage	Ai3 In X1	Refer to AIO_03~12						
AIO_28	771C	Minimum Voltage Bias	Ai3 Out Y1							
AIO_29	771D	Maximum Voltage	Ai3 In X2							
AIO_30	771E	Maximum Voltage Gain	Ai3 Out Y2							
AIO_31	771F	Minimum Voltage	Ai3 -In X1							
AIO_32	7720	Minimum Voltage Bias	Ai3 -Out Y1							
AIO_33	7721	Maximum Voltage	Ai3 -In X2							
AIO_34	7722	Maximum Voltage Gain	Ai3-Out Y2							
AIO_34	7723	Input LPF time constant	Ai3 LPF							
AIO_36	7724	Multi-function Analog input Command loss criterion select	Ai3 Wbroken				Refer to AIO_03~12			
AIO_37		Multi-function Analog input Ai4 Definition 1)	Ai4 Define							
AIO_38	7726	Source Definition 1)	Ai4 Source							
AIO_39	7727	Minimum Voltage 1)	Ai4 In X1							
AIO_40	7728	Minimum Voltage Bias 1)	Ai4 Out Y1							
AIO_41	7729	Maximum Voltage 1)	Ai4 In X2							
AIO_42	772A	Maximum Voltage Gain 1)	Ai4 Out Y2							
AIO_43	772B	Minimum Voltage 1)	Ai4 -In X1							
AIO_44	772C	Minimum Voltage Bias 1)	Ai4 -Out Y1							
AIO_45	772D	Maximum Voltage 1)	Ai4 -In X2							
AIO_46	772E	Maximum Voltage Gain 1)	Ai4 -Out Y2							
AIO_47	772F	Output LPF time constant 1)	Ai4 LPF							
AIO_48	7730	Command loss criterion select 1)	Ai4 Wbroken	Refer to AIO_03~12						
AIO_49	7731	Multi-function Analog input Ai5 Definition 1)	Ai5 Define				Refer to AIO_01 ∫ When using EXTN_I/O motor NTC /PTC function is available at Ai5 17(Use Mot NTC)			0 (Not Used) No
AIO_50	7732	Source Definition 1)	Ai5 Source				0 (-10 ⇒ 10V)	-	0 (-10 ⇒ 10V)	No
							1 (10 ⇒ -10V)			
							2 (0 ⇒ 10V)			
							3 (10 ⇒ 0V)			
AIO_51	7733	Minimum Voltage 1)	Ai5 In X1				Refer to AIO_03~12			
AIO_52	7734	Minimum Voltage Bias 1)	Ai5 Out Y1							
AIO_53	7735	Maximum Voltage 1)	Ai5 In X2							
AIO_54	7736	Maximum Voltage Gain 1)	Ai5 Out Y2							
AIO_55	7737	Minimum Voltage 1)	Ai5 -In X1							
AIO_56	7738	Minimum Voltage Bias 1)	Ai5 -Out Y1							
AIO_57	7739	Maximum Voltage 1)	Ai5 -In X2							
AIO_58	773A	Maximum Voltage Gain 1)	Ai5 -Out Y2							
AIO_59	773B	Input LPF time constant 1)	Ai5 LPF							
AIO_60	773C	Command loss criterion select 1)	Ai5 Wbroken							

Code No.	Comm. Addr	Code Name	LCD Display	Setting Data			Adjustment During Run
				Range	Unit	Default	
AIO_73	7749	Multi-function Analog input command loss time	Time out	0.1 ~ 120.0	sec	1.0	No
AIO_74	774A	Multi-function analog Output AO1 Definition	AO1 Define	0 (Not Used)	-	0 (Not Used)	No
				1 (Ai1 Value)			
				2 (Ai2 Value)			
				3 (Ai3 Value)			
				4 (Ai4 Value) <sup>2)</sup>			
				5 (Ai5 Value) <sup>2)</sup>			
				7 (PreRamp Ref)			
				8 (PostRamp Ref)			
				9 (ASR Inp Ref)			
				11 (Motor Speed)			
				12 (Motor SpdEst) <sup>3)</sup>			
				13 (Speed Dev)			
				14 (ASR Out)			
				15 Torque Bias			
				16 (PosTrq Limit)			
				17 (NegTrq Limit)			
				18 (RegTrq Limit)			
				19 (Torque Ref)			
				20 (IqeRef)			
				21 (Iqe)			
				22 (Flux Ref)			
				23 (IdeRef)			
				24 (Ide)			
				25 (ACR_Q Out)			
				26 (ACR_D Out)			
				27 (VdeRef)			
				28 (VqeRef)			
				29 (Out Amps RMS)			
				30 (Out Volt RMS)			
				31 (Power)			
				32 (DC Bus Volt)			
				33 (Proc PI Ref)			
				34 (PROC PI F/B)			
				35 (Proc PI Out)			
				36 (Line Speed) <sup>1)</sup>			
				37 (Tension Out) <sup>1)</sup>			
				38 (Diameter) <sup>1)</sup>			
				39 (MotNTC Temp)			
				40 (Inv Temp)			
				41 (Inv i2t)			
				AIO_75			
AIO_76	774C	Bias	AO1 Bias	%	0.0	No	
AIO_77	774D	Gain	AO1 Gain	%	100.0	No	
AIO_78	774E	Bias	AO1 Bias	%	0.0	Yes	
AIO_79	774F	Gain	AO1 Gain	%	-100.0	Yes	
AIO_80	7750		Absolute value setting	AO1 ABS	-	0 (No)	No

Code No.	Comm. Addr	Code Name	LCD Display	Setting Data			Adjustment During Run
				Range	Unit	Default	
AIO_81	7751	Definition	AO2 Define	Refer to AIO_74~78			
AIO_82	7752	Source Definition	AO2 Source				
AIO_83	7753	Bias	AO2 Bias				
AIO_84	7754	Gain	AO2 Gain				
AIO_85	7755	Bias	AO2 Bias				
AIO_86	7756	Gain	AO2 Gain				
AIO_87	7757	Absolute value setting	AO2 ABS				

- \*Note 1) Displayed only when WEB mode setting.  
 2) It is available when Extension I/O (EXTN\_I/O) is applied.  
 3) It will be displayed when CON\_01 is set to 'Sensorless'.

■ Sensorless control Group [SLS\_ [ ] [ ]]

Code No.	Comm. Addr	Code Name	LCD Display	Setting Data			Adjustment During Run
				Range	Unit	Default	
SLS_00	-	Function code selection	Jump Code	1 ~ 23	-		Yes
SLS_01	7D01	Flux estimation time with sensorless control	Flux BD Time	100 ~ 60000	ms	500	Yes
SLS_02	7D02	P gain for flux estimation	FlxEst PGain	0.1 ~ 999.9	%	100.0	Yes
SLS_03	7D03	I gain for flux estimation	FlxEst IGain	0.0 ~ 999.9	%	100.0	Yes
SLS_04	7D04	cut-off frequency for sensorless ASR	ASR Cut-Off	1.0 ~ 600.0		20.0	Yes
SLS_05	7D05	Sensorless ASR P gain 1	ASR P Gain1	0.1 ~ 999.9	%	100.0	Yes
SLS_06	7D06	Sensorless ASR I gain 1	ASR I Gain1	0.1 ~ 999.9	%	100.0	Yes
SLS_07	7D07	Sensorless ASR LPF 1	ASR LPF1	0 ~ 20000	ms	0	Yes
SLS_08	7D08	Sensorless ASR P gain 2	ASR P Gain2	0.1 ~ 999.9	%	50.0	Yes
SLS_09	7D09	Sensorless ASR I gain 2	ASR I Gain2	0.1 ~ 999.9	%	50.0	Yes
SLS_10	7D0A	Sensorless ASR LPF 2	ASR LPF2	0 ~ 20000	ms	0	Yes
SLS_11	7D0B	Switch-over ramp for sensorless ASR	ASR RAMP	10 ~ 10000	ms	1000	Yes
SLS_12	7D0C	Sensorless ASR target speed	ASR TarSpd	0.0 ~ 3600.0	rpm	0.0	No
SLS_13	7D0D	Sensorless P gain	SpdEst PGain	0.1 ~ 999.9		100.0	Yes
SLS_14	7D0E	Sensorless I gain	SpdEst IGain	0.1 ~ 999.9		100.0	Yes
SLS_15	7D0F	Cut-off frequency for sensorless ACR	ACR Cut-off	10.0 ~ 3000.0		1200.0	Yes
SLS_16	7D10	Regeneration avoidance selection	ZeroAvd Sel	0 (No) / 1 (Yes)		1 (Yes)	No
SLS_17	7D11	P gain of sensored speed controller	SensoredKp	0 ~ 10.0000		0.0000	No
SLS_18	7D12	I gain of sensored speed controller	SensoredKi	0 ~ 10.0000		0.0000	No
SLS_19	7D13	P gain of sensorless speed controller	SensorlessKp	0 ~ 10.0000		0.0000	No
SLS_20	7D14	I gain of sensorless speed controller	SensorlessKi	0 ~ 10.0000		0.0000	No
SLS_21	7D15	Command of flux estimation	FluxEst Ref	0.0000 ~ 6.5535		0.0000	No
SLS_22	7D16	Feedback of flux estimation	FluxEst Fbk	0.0000 ~ 6.5535		0.0000	No
SLS_23	7D17	Rs scale	Rs Scale	100.0 ~ 200.0	%	120.0	Yes

- \*Note 1) It will be displayed when CON\_01 is set to Sensorless.

■ Function Group [ FUN\_ [[]] ]

FUN Group	Code No.	Code Name	LCD Display Message	Setting Data			R
				Range	Unit	Default	
	FUN_00	Function code selection	Jump Code	1~62			Yes
	FUN_01	RUN/STOP Command selection	RUN/STOP Src	Terminal 1 Terminal 2 Keypad Option		Terminal 1	No
	FUN_02	Speed reference selection	Spd Ref Sel	Analog Keypad 1 Keypad 2 Option		Keypad 1	No
	FUN_03	Stop mode	Stop Mode	Decel Free-run		Decel	No
	FUN_04	Motor Maximum speed	Max Speed	400.0~3600.0	rpm	1800.0	No
	FUN_12	Multi-step speed0	Speed 0	0.0~Max speed	rpm	0.0	Yes
	FUN_13	Multi-step speed1	Speed 1	0.0~Max speed	rpm	0.0	Yes
	FUN_14	Multi-step speed2	Speed 2	0.0~Max speed	rpm	0.0	Yes
	FUN_15	Multi-step speed3	Speed 3	0.0~Max speed	rpm	0.0	Yes
	FUN_16	Multi-step speed4	Speed 4	0.0~Max speed	rpm	0.0	Yes
	FUN_17	Multi-step speed5	Speed 5	0.0~Max speed	rpm	0.0	Yes
	FUN_18	Multi-step speed6	Speed 6	0.0~Max speed	rpm	0.0	Yes
	FUN_19	Multi-step speed7	Speed 7	0.0~Max speed	rpm	0.0	Yes
	FUN_20	JOG speed	JOG Speed	0.0~Max speed	rpm	100.0	Yes
	FUN_21	Dwell speed	Dwell speed	0.0~Max speed	rpm	100.0	Yes
	FUN_22	Dwell time	Dwell time	0.00~30.000	rpm	100.0	Yes
	FUN_36	"S" curve rate 1 in acceleration	Acc S Start	0.0 ~ 50.0	%	0.0	No
	FUN_37	"S" curve rate 2 in acceleration	Acc S End	0.0 ~ 50.0	%	0.0	No
	FUN_38	"S" curve rate 1 in deceleration	Dec S Start	0.0~50.0	%	0.0	No
	FUN_39	"S" curve rate 2 in deceleration	Dec S End	0.0~50.0	%	0.0	No
	FUN_40	Acc time1	Acc Time-1	0.00~6000.0	sec	2.00	Yes
	FUN_41	Dec time1	Dec Time-1	0.00~6000.0	sec	2.00	Yes
	FUN_42	Acc time2	Acc Time-2	0.00~6000.0	sec	3.00	Yes
	FUN_43	Dec time2	Dec Time-2	0.00~6000.0	sec	3.00	Yes
	FUN_44	Acc time3	Acc Time-3	0.00~6000.0	sec	4.00	Yes
	FUN_45	Dec time3	Dec Time-3	0.00~6000.0	sec	4.00	Yes
	FUN_46	Acc time4	Acc Time-4	0.00~6000.0	sec	5.00	Yes
	FUN_47	Dec time4	Dec Time-4	0.00~6000.0	sec	5.00	Yes
	FUN_48	Zero-speed dec time use	Use 0 Dec T	Yes No		No	Yes
	FUN_49	Zero speed dec time	0 Dec Time	0.00~6000.0	sec	0.00	Yes
	FUN_51	Emergency stop dec time	BX Time	0.0~6000.0	sec	0.0	Yes
	FUN_52	Initial motor magnetizing time	PreExct Time	0~10000	ms	0	No
	FUN_53	Hold time	Hold Time	100~10000	ms	1000	No
	FUN_54	Electronic thermal selection	ETH Select	No Yes		No	Yes
	FUN_55	Electronic thermal 1 minute level	ETH 1 min	FUN_54~200	%	150	Yes
	FUN_56	Electronic thermal successive operation level	ETH Cont	50~FUN_53	%	100	Yes
	FUN_57	Drive switching frequency	PWM Freq	2.5~10.0	kHz	10.0	No
	FUN_58	Selecting power-on start	Power-on Run	No Yes		Yes	Yes
	FUN_59	Selecting run after trip reset	RST Restart	No Yes		Yes	Yes
	FUN_60	Number of auto restart	Retry Number	0~10		0	Yes
	FUN_61	Auto retry delay time	Retry Delay	0.0~60.0	sec	1.0	Yes
	FUN_62	Restart delay time after stop command	Restart time	0.00~10.00	sec	0.00	No
	FUN_63	Overspeed error detect level	Overspd level	100.0~130.0	%	120.0	No
	FUN_64	Overspeed error detect time	Overspd time	0.00~2.00	sec	0.00	No

■ Control Group [CON\_ [ ] [ ]]

CON Group	Code No.	Code Name	LCD Display Message	Setting Data			R
				Range	Unit	Default	
	CON_00	Function code selection	Jump Code	1 ~ 47			Yes
	CON_01	Control mode selection	Control Mode	Speed Torque		Speed	No
	CON_02	Drive application mode selection	Application	General Vect/ Elevator		General Vect	No
	CON_03	ASR P Gain1	ASR P Gain1	0.0 ~ 200.0	%	5.0	Yes
	CON_04	ASR I Gain1	ASR I Gain1	0 ~ 50000	ms	3000	Yes
	CON_05	ASR input LPF time constant1	ASR LPF1	0 ~ 20000	ms	0	Yes
	CON_06	ASR P Gain2	ASR P Gain2	0.0 ~ 200.0	%	50.0	Yes
	CON_07	ASR I Gain2	ASR I Gain2	0 ~ 50000	ms	300	Yes
	CON_08	ASR input LPF time constant 2	ASR LPF2	0 ~ 20000	ms	0	Yes
	CON_09	Ramp time in gain switching	ASR Ramp	10 ~ 10000	ms	1000	Yes
	CON_10	Gain switching speed	ASR TarSpd	0.0 ~ 3600.0	rpm	0.0	No
	CON_11	Process PID command( Loader)	Proc PID Ref	-100.0 ~ 100.0	%	0.0	Yes
	CON_12	Process PID position standard	Proc Posi Ref	0 ~ 65535	%	0	No
	CON_13	Process PID P gain	Proc PID Kp	0.0 ~ 999.9	%	0.0	Yes
	CON_14	Process PID I gain	Proc PID Kt	0.0 ~ 100.0	%	0.0	Yes
	CON_15	Process PID D gain	PROC PID Kd	0.0 ~ 100.0	%	0.0	Yes
	CON_16	Process PID positive limit	Proc PID Lmt	-100.0 ~ 100.0	%	100	Yes
	CON_17	Process PID negative limit	Proc Neg Lmt	-100.0 ~ 100.0	%	100	Yes
	CON_18	Process PID output LPF time constant	Proc Out LPF	0 ~ 500	ms	0	Yes
	CON_19	Process PID output gain	Proc OutGain	-250.0 ~ 250.0	%	0.0	Yes
	CON_20	Process PID output enable	Proc PID Enb	Disable Enable Terminal		Disable	No
	CON_21	Process PID Hold time	PID Hold time	0~10000	ms	0	No
	CON_22	Draw set up percentage	Draw %	-100.0 ~ 100.0	%	0.0	Yes
	CON_23	Droop control percentage	Droop %	0.0 ~ 100.0	%	0.0	Yes
	CON_24	Droop control minimum speed	Droop MinSPd	0.0 ~ 3600.0	rpm	0.0	Yes
	CON_25	Droop control minimum torque	Droop MinTrd	0.0 ~ 100.0	%	0.0	Yes
	CON_26	Torque reference value selection	Trq Ref Src	None Analog Option		None	No
	CON_27	Torque reference (Loader)	Trq Ref	-180.0~180.0	%	0.0	Yes
	CON_28	Torque limit definition	Trq Lmt Src	Kpd Kpd Kpd Kpd Kpd Ax Kpd Ax Kpd Kpd Ax Ax Ax Kpd Kpd Ax Kpd Ax Ax Ax Kpd Ax Ax Ax Opt Opt Opt		Kpd Kpd Kpd	No
	CON_29	Forward torque limit	Pos Trq Lmt	0.0 ~ 250.0	%	150.0	Yes
	CON_30	Reverse torque limit	Neg Trq Lmt	0.0 ~ 250.0	%	150.0	Yes
	CON_31	Regenerative torque limit	Reg Trq Lmt	0.0 ~ 250.0	%	150.0	Yes
	CON_32	Torque bias selection	Trq Bias Src	None Analog Keypad Option		None	No
	CON_33	Torque bias volume	Trq Bias	-150.0 ~ 150.0	%	0.0	Yes
	CON_34	Torque bias compensation volume of friction factor	Trq Bias FF	-150.0 ~ 150.0	%	0.0	Yes
	CON_35	Torque balance percentage	Trq Bias F	0.0 ~ 100.0	%	50.0	Yes
	CON_49	Speed search selection	Speed search	0000~1111 (Bit set up)		0100	No

## ■ User Group [USR\_ [ ] [ ]]

User Group	Code No.	Code Name	LCD Display Message	Control Method		I/O Option		Setting Data			R
				Vector	V/F	SIO	EIO	Range	Unit	Default	
	USR_00	Function code selection	Jump Code					1 ~ 67			Yes
	USR_01	Initializing as applicable field's initial value	Macro Init	○	○	○	○	User Define E/L		User Define	No
	USR_02	User data save	User Save	○	○	○	○	Yes No		No	No
	USR_03	Recall saved user data	User Recall	○	○	○	○	Yes No		No	No
	USR_04	User group data	User Grp	○	○	○	○				No

## ■ 2nd function group [2nd\_ [ ] [ ]]

2nd Group	Code No.	Code Name	LCD Display Message	Setting Data			R
				Range	Unit	Default	
	2nd_00	Function code selection	Jump Code	1 ~ 33			Yes
	2nd_01	2nd motor control mode	2nd Ctl Mode	Speed Torque		Speed	No
	2nd_02	2dn motor maximum speed	2nd Max Spd	400.0 ~ 3600.0	rpm	1800.0	No
	2nd_04	2nd motor multi-step speed 0	2nd Spd 0	0.0 ~ 2nd_02	rpm	0.0	Yes
	2nd_05	"S" curve rate 1 in the 2nd motor acceleration	2nd Acc S St	0.0 ~ 50.0	%	0.0	No
	2nd_06	"S" curve rate 2 in the 2nd motor acceleration	2nd Acc S Ed	0.0 ~ 50.0	%	0.0	No
	2nd_07	"S" curve rate 1 in the 2nd motor deceleration	2nd Dec S St	0.0 ~ 50.0	%	0.0	No
	2nd_08	"S" curve rate 2 in the 2nd motor deceleration	2nd Dec S Ed	0.0 ~ 50.0	%	0.0	No
	2nd_09	The 2nd motor acceleration time	2nd Acc time	0.00 ~ 6000.0	sec	10.00	Yes
	2nd_10	The 2nd motor deceleration time	2nd Dec time	0.00 ~ 6000.0	sec	10.00	Yes
	2nd_11	The 2nd motor cooling method	2nd Cool Mtd	Self-cool Forced-cool		Self-cool	Yes
	2nd_12	Number of encoder pulse of 2nd motor	2nd Enc #	360 ~ 4096		1024	No
	2nd_13	The 2nd motor encoder direction selection	2nd Enc dir	A(B)Phase Lead		A Phase Lead	No
	2nd_14	The 2nd motor encoder error check method	2nd Enc chk	Yes No		Yes	No
	2nd_15	The 2nd motor encoder LPF Time Constant	2nd Enc LPF	0 ~ 100	ms	1	Yes
	2nd_17	The 2nd motor rated speed	2nd RatedSpd	300.0 ~ 3600.0	rpm	1800.0	No
	2nd_18	The 2nd motor rated volt	2nd R-Volt	120 ~ 560	V		No
	2nd_19	The 2nd motor number of poles	2nd Pole #	2 ~ 12		4	No
	2nd_20	The 2nd motor efficiency	2nd Mot Eff	70 ~ 100	%		Yes
	2nd_21	The 2nd motor rated slip	2nd R-Slip	10 ~ 250	rpm		Yes
	2nd_22	The 2nd motor rated current	2nd R-Curr	1.0 ~ 450.0	A		Yes
	2nd_23	The 2nd motor flux current	2nd Flx Cur	70% of 0.0~2nd_22	A		Yes
	2nd_24	The 2nd motor 2nd time constant	2nd Mot Tr	30 ~ 3000	ms		Yes
	2nd_25	The 2nd motor stator inductance	2nd Mot Ls	0.00 ~ 500.00	mH		Yes
	2nd_26	The 2nd motor stator leakage factor	2nd Mot sLs	0.00 ~ 100.00	mH		Yes
	2nd_27	The 2nd motor stator resistance	2nd Mot Rs	0.000 ~ 5.000	ohm		Yes
	2nd_32	The 2nd motor electronic thermal 1 minute level	2nd Eth 1min	100 ~ 150	%	150	Yes
	2nd_33	The 2nd motor electronic thermal continuous operation level	2nd Eth cont	50 ~ 150	%	100	Yes

\*Note) The auto tuning method of the 2nd motor should be Same with the (PAR\_22) and (PAR\_23).

## 1. Braking Resistor

### 1) Braking resistor specifications in capacity

Resistor values shown in the following table is calculated on the basis of 150% of rated braking torque, 5% ED 1). Power rating of resistor should be doubled for resistor frequency 10% ED use. Additional unit should be installed for above SV300iV5-2/SV300iV5-4.

Inverter	Rated Capacity (5% ED)	
	[Ω]	[W] <sup>2)</sup>
SV 022iV5-2 DB	50	400
SV 037iV5-2 DB	33	600
SV 055iV5-2 DB	20	800
SV 075iV5-2 DB	15	1200
SV 110iV5-2 DB	10	2400
SV 150iV5-2 DB	8	2400
SV 185iV5-2 DB	5	3600
SV 220iV5-2 DB	5	3600
SV 022iV5-4 DB	200	400
SV 037iV5-4 DB	130	600
SV 055iV5-4 DB	85	800
SV 075iV5-4 DB	60	1200
SV 110iV5-4 DB	40	2400
SV 150iV5-4 DB	30	2400
SV 185iV5-4 DB	20	3600
SV 220iV5-4 DB	20	3600

▶ ED 100sec standard.

▶ Resistance value is based on the self-cooling standard.

### 2) Brake resistor wiring

Brake resistor has attached a temperature detectable sensor for fire protection.

See below when in use.

Brake resistor terminal blocks	Drive terminals	Operation
B1, B2	P, BR	
P7, CM	One of the multi function input terminals, out of P1~P7, of control terminals board is used as defining "External trip signal contact B"	The contact is ON in normal temperature and opens in overheat.

## 2. Braking Unit

- ① SV037DBH-2: 37kW/200V Class Braking Unit (10% ED)
- ② SV037DBH-4: 37kW/400V Class Braking Unit (10% ED)
- ③ SV075DBH-4: 75kW/400V Class Braking Unit (10% ED)
- ④ SV075DB-4 : 75kW/400V Class Braking Unit (100% ED)
- ⑤ SV220DB-4 : 220kW/400V Class Braking Unit (100% ED)

- The Combination of two braking unit for 400V class is possible for more than SV900iV5-4 capacity.
- When ED is more than 10%, Use the braking unit for 100% ED (Ex: vertical load such as crane, hoist)
- When the drive capacity is more than 220kW, use the braking unit for SV220DB-4 (100% ED).
- Refer to description manual included in braking unit product for the use of 100% ED braking unit.

### 1) Combination of braking unit

Drive	SV[ ][ ][ ][ ]iV5-2			SV[ ][ ][ ][ ]iV5-4		
	0300 / 0370	0300 / 0370	0450 / 0550 / 0750	0900 / 1100 / 1320 / 1600	2200	2800 / 3150 / 3750
200V 37kW	1					
37kW		1				
400V 75kW			1	2		
220kW					1	2

Note) 1. Example) Combine two braking units of 75kW ~ 400V Class for SV-900iV5-4(90kW) Class.

2. Refer to the Braking Unit user manual that came with the braking unit.

### 2) Braking resistor for braking unit

Braking Unit	100% of Braking Torque, 10% ED	
	Resistance [Ω]	Rated Power [kW]
37kW ~ 200V	3	5
37kW ~ 400V	12	5
75kW ~ 400V	6	10
75kW ~ 400V	6	Refer to extra manual in the case of 100% ED braking unit.
220kW ~ 400V	2	

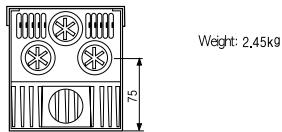
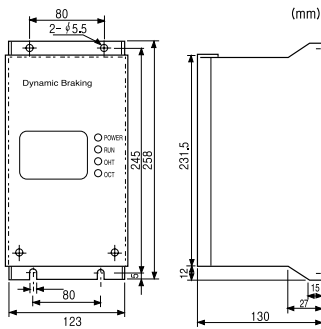
### Terminal functions

Terminal name	Description
P/B1	Connection to drive terminal P2 or P and B2 of braking resistor.
N	Connection to drive terminal N
B2	Connection to brake resistor B2
G	Ground terminal
IN+	Control connection lint(used when SLAVE MODE)
IN-	Control connection lint(used when SLAVE MODE)
OUT+	Control connection lint(used when MASTER MODE)
OUT-	Control connection lint(used when MASTER MODE)
30A/30B/30C	Fault signal output terminal, when the protection function of braking unit operates. 30A : Contact A, 30B : Contact B, 30C COMMON

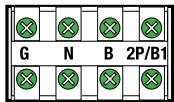
● Display functions

Displayed item	Description
<b>POWER</b>	Main power in braking unit turns on the POWER LED. Generally the braking unit is wired to Drive so, once the input main power of drive is on the POWER LED of braking unit turns on.
<b>RUN</b>	While braking unit operates its normal operation by the motor regenerative energy, the RUN LED blinks.
<b>OHT</b>	During the braking operation, if the braking unit heat sink is overheated and exceeds its limited value, the overheat protection function operates. This blocks the braking unit signal and then turns on the OHT LED.
<b>OCT</b>	During the braking operation, if over current flows in the main circuit of braking unit inside then the over current protection function is operated in order to prevent the circuit from over current. The TURN ON signal of braking unit is blocked and then turns on the OCT LED.

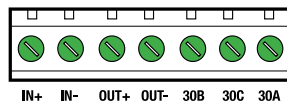
■ Terminal Block and Braking Unit



Main circuit terminal block

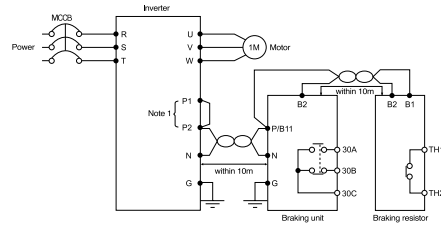


Control circuit terminal

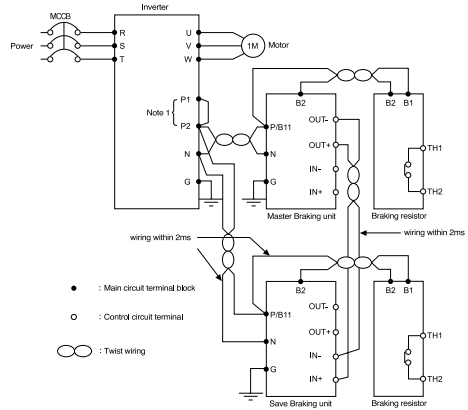


■ Wiring

1) Single use of Braking unit

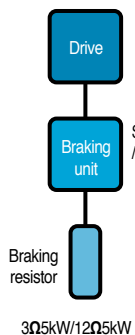


2) Double use of Braking unit

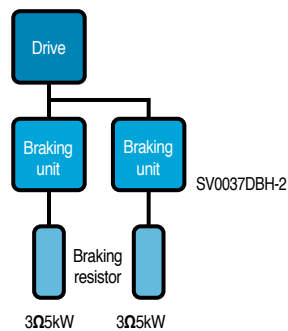


■ Combination of the Braking units and Braking resistors

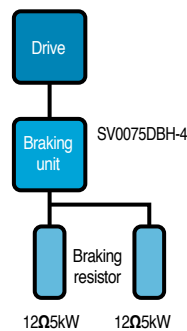
● 30~37kW(200V/400V)



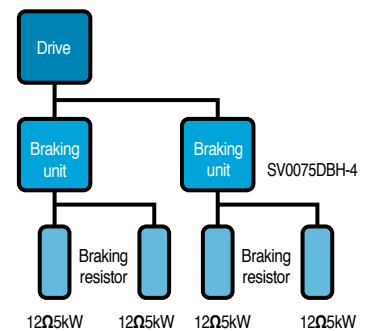
● 45~55kW(200V)



● 45~75kW(400V)



● 90~160kW(400V)

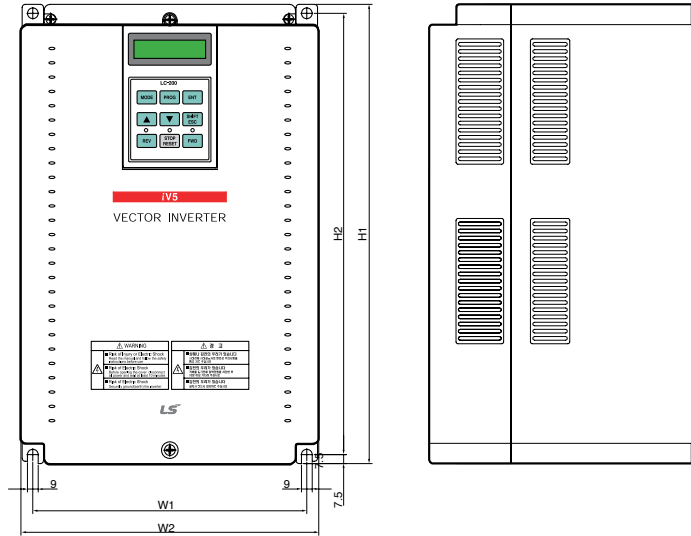
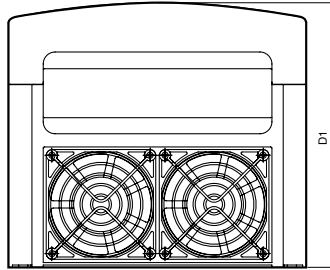




● MCCB (Molded Case Circuit Breaker) and MC (Magnetic Contactor)

Voltage	Capacity [kW]	AC Drive	Circuit Breaker (MCCB) / Leakage Breaker (ELCB)	Magnetic Contactor (MC)
200V	2.2	SV022iV5-2DB	UTE100/30A, EBS33c30A	MC-18a
	3.7	SV037iV5-2DB	UTE100/30A, EBS33c30A	MC-32a
	5.5	SV055iV5-2DB	UTE100/50A, EBS53c50A	MC-40a
	7.5	SV075iV5-2DB	UTE100/60A, EBS63c60A	MC-50a
	11	SV110iV5-2DB	UTE100/100A, EBS103c100A	MC-65a
	15	SV150iV5-2DB	UTS150/125A, EBS103c125A	MC-100a
	18.5	SV185iV5-2DB	UTS150/150A, EBS203c150A	MC-130a
	22	SV220iV5-2DB	UTS250/175A, EBS203c175A	MC-150a
	30	SV300iV5-2	UTS250/225A, EBS203c225A	MC-150a
	37	SV370iV5-2	UTS400/300A, EBS403c300A	MC-225a
400V	2.2	SV022iV5-4DB	UTE100/15A, EBS33c15A	MC-12a
	3.7	SV037iV5-4DB	UTE100/15A, EBS33c15A	MC-18a
	5.5	SV055iV5-4DB	UTE100/30A, EBS33c30A	MC-22b
	7.5	SV075iV5-4DB	UTE100/30A, EBS33c30A	MC-32a
	11	SV110iV5-4DB	UTE100/50A, EBS53c50A	MC-40a
	15	SV150iV5-4DB	UTE100/60A, EBS63c60A	MC-50a
	18.5	SV185iV5-4DB	UTE100/80A, EBS103c75A	MC-65a
	22	SV220iV5-4DB	UTE100/100A, EBS103c100A	MC-65a
	30	SV300iV5-4(380V)	UTS150/125A, EBS103c125A	MC-100a
	37	SV370iV5-4(380V)	UTS150/150A, EBS203c150A	MC-130a
	45	SV450iV5-4(380V)	UTS250/175A, EBS203c175A	MC-150a
	55	SV550iV5-4(380V)	UTS250/225A, EBS203c225A	MC-185a
	75	SV750iV5-4(380V)	UTS400/300A, EBS403c300A	MC-225a
	90	SV900iV5-4(380V)	UTS400/400A, EBS403c400A	MC-330a
	110	SV1100iV5-4(380V)	UTS600/500A, EBS603c500A	MC-400a
	132	SV1320iV5-4(380V)	UTS600/600A, EBS603c630A	MC-400a
	160	SV1600iV5-4(380V)	UTS600/600A, EBS603c630A	MC-600a
	220	SV2200iV5-4(380V)	UTS800/800A, EBS803c800A	MC-800a
	280	SV2800iV5-4	UTS1200/1000A, EBS1003b1000A	MC-1700a
	315	SV3150iV5-4	UTS1200/1200A, EBS1203b1200A	MC-2100a
375	SV3750iV5-4	1400A, 1400A	MC-2650a	
500	SV5000iV5-4	1600A, 1600A	1600A	

1) 2.2 ~ 22kW (200V/400V),  
Mold Type

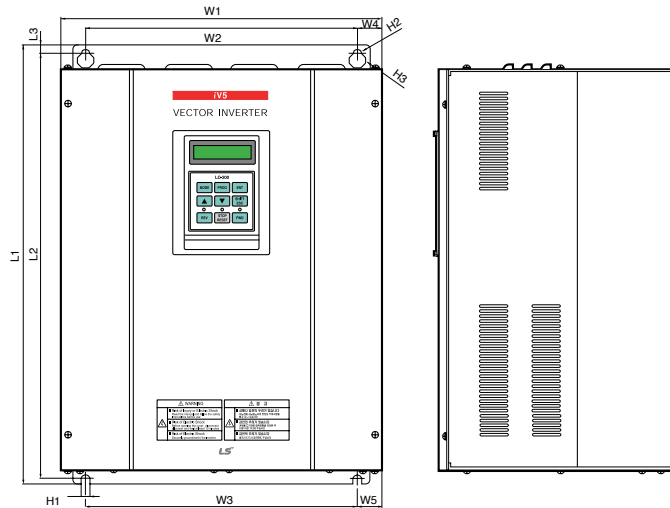
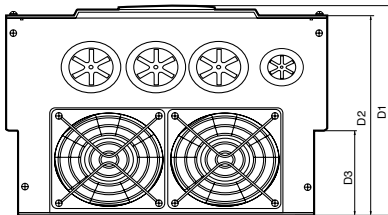


● Dimensions of each capacity (mm[inches])

※ DC has a same dimension as AC.

Drive Model	W1	W2	H1	H2	D1
SV022iV5-2/4DB (MD)			284	269	207
SV037iV5-2/4DB (MD)	200	180	[11.18]	[10.69]	[8.15]
SV055iV5-2/4DB (MD)	[7.87]	[7.09]	355	340	202
SV075iV5-2/4DB (MD)			[13.97]	[13.38]	[7.95]
SV110iV5-2/4DB (MD)	250	230	385	370	221
SV150iV5-2/4DB (MD)	[9.84]	[9.06]	[15.16]	[14.57]	[8.70]
SV185iV5-2/4DB (MD)	304	284	460	445	254
SV220iV5-2/4DB (MD)	[11.97]	[11.18]	[18.11]	[17.52]	[10.00]

2) 5.5 ~ 22kW (200V/400V/DC Input Type)

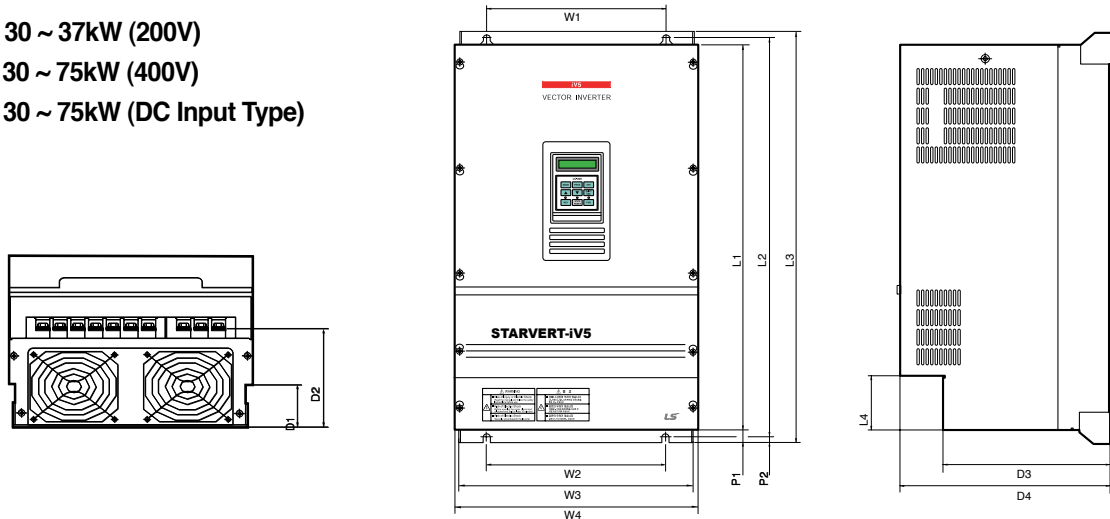


● Dimensions of each capacity (mm[inches])

※ DC has a same dimension as AC.

Drive Model	W1	W2	W3	W4	W5	L1	L2	L3	D1	D2	D3	H1	H2	H3
SV055iV5-2/4DB	234.4	180	180	27.2	27.2	406.2	391.2	7.5	221.1	209.5	75	6	Ø 6	Ø 12
SV075iV5-2/4DB	[9.22]	[7.08]	[7.08]	[1.07]	[1.07]	[15.9]	[15.4]	[0.29]	[8.7]	[8.24]	[2.95]	[0.23]		
SV110iV5-2/4DB														
SV150iV5-2/4DB	335	284	284	25.5	25.5	526	509	10	248.6	237	100	7	Ø 7	Ø 14
SV185iV5-2/4DB	[13.1]	[11.1]	[11.1]	[1.00]	[1.00]	[20.7]	[20.0]	[0.39]	[9.78]	[9.33]	[3.93]	[0.27]		
SV220iV5-2/4DB														

3) 30 ~ 37kW (200V)  
 30 ~ 75kW (400V)  
 30 ~ 75kW (DC Input Type)

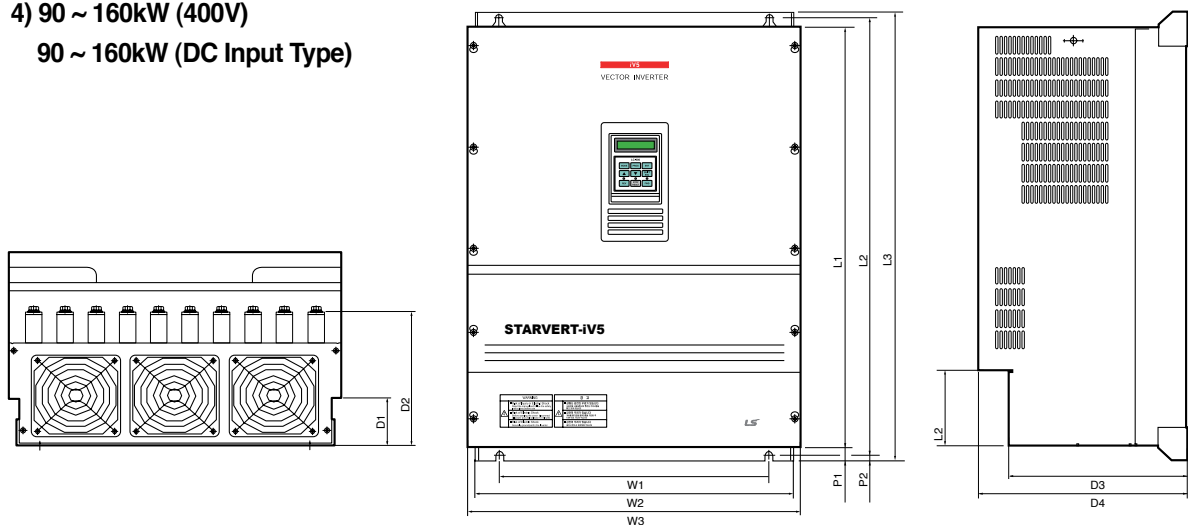


● Dimensions of each capacity (mm[inches])

※ DC has a same dimension as AC.

Drive Model	W1	W2	W3	W4	L1	L2	L3	D1	D2	D3	D4	P1	P2
SV300iV5-2/4	270	270	319.2	350	635	660	680	120	197	256.6	308.2	16.9	8
SV370iV5-2/4	[10.6]	[10.6]	[12.5]	[13.7]	[25.0]	[26.0]	[26.7]	[4.72]	[7.76]	[10.1]	[12.1]	[0.66]	[0.31]
SV450iV5-4	275	275	359.6	375	730.6	758.5	780	82.3	189.3	259	326	24.5	10.5
SV550iV5-4	[10.8]	[10.8]	[14.1]	[14.7]	[28.7]	[29.8]	[30.7]	[3.24]	[7.45]	[10.2]	[12.8]	[0.90]	[0.41]

4) 90 ~ 160kW (400V)  
 90 ~ 160kW (DC Input Type)

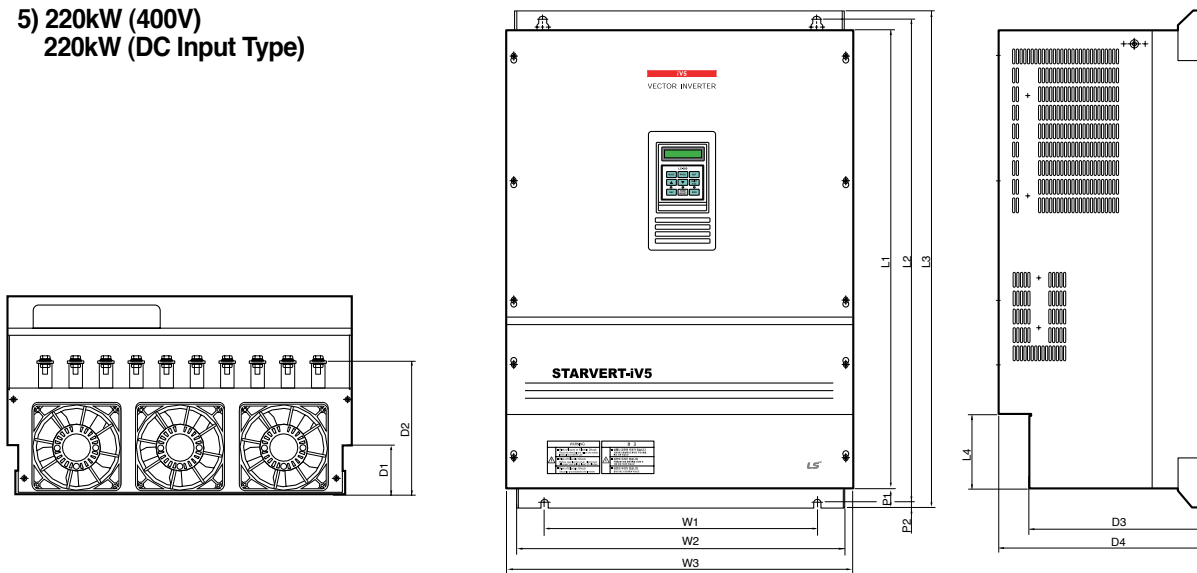


● Dimensions of each capacity (mm[inches])

※ DC has a same dimension as AC.

Drive Model	W1	W2	W3	L1	L2	L3	D1	D2	D3	D4	P1	P2
SV900iV5-4	430	507	530	729	760	780	83.2	234.6	286.2	335	23.5	8.5
SV1100iV5-4	[16.9]	[19.9]	[20.8]	[28.7]	[29.9]	[30.7]	[3.27]	[9.23]	[11.2]	[13.2]	[0.92]	[0.33]
SV1320iV5-4	430	507	530	949	980	1000	95.2	231.6	298	345	23.5	8.5
SV1600iV5-4	[16.9]	[19.9]	[20.8]	[37.3]	[38.5]	[39.3]	[3.75]	[9.12]	[11.7]	[13.5]	[0.92]	[0.33]

5) 220kW (400V)  
220kW (DC Input Type)

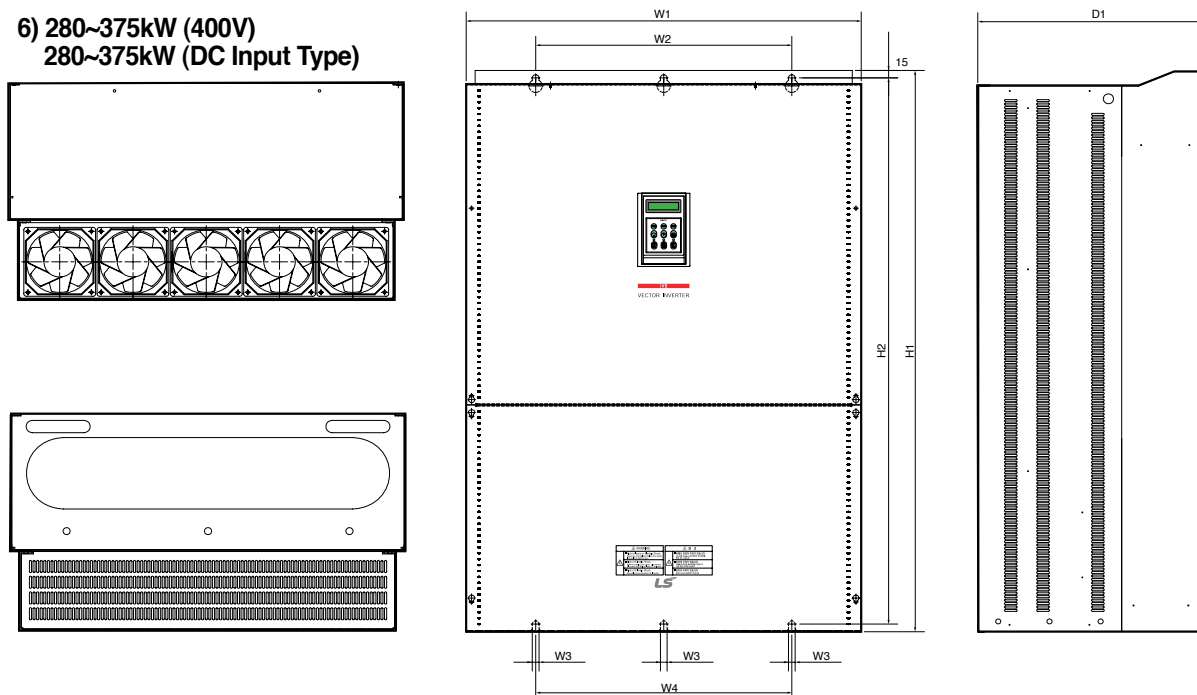


● Dimensions of each capacity (mm[inches])

\* DC has a same dimension as AC.

Drive Model	W1	W2	W3	L1	L2	L3	L4	D1	D2	D3	D4	P1	P2
SV2200iV5-4	540 [21.26]	649 [25.55]	680 [26.77]	922 [36.3]	968.5 [38.13]	998 [39.29]	150 [5.91]	100.2 [3.94]	271 [10.67]	343 [13.5]	403 [15.87]	38 [1.49]	12 [0.47]

6) 280~375kW (400V)  
280~375kW (DC Input Type)

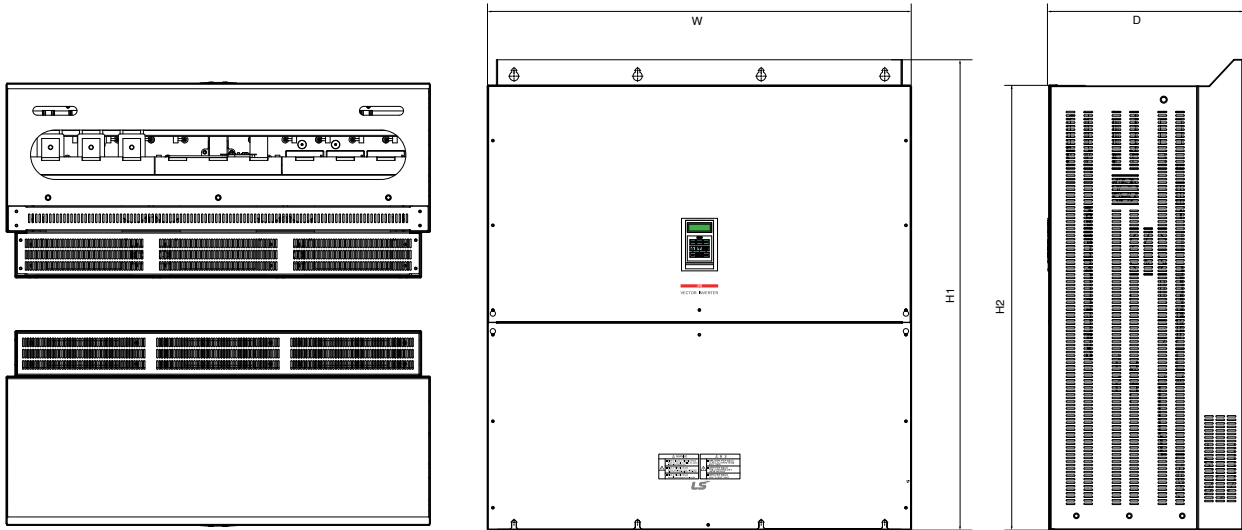


● Dimensions of each capacity (mm[inches])

\* DC has a same dimension as AC.

Drive Model	W1	W2	W3	W4	D1	H1	H2
SV2800iV5-4	772 [30.39]	500 [19.69]	13 [0.51]	500 [19.69]	1140.5 [44.90]	1110 [43.70]	442 [17.40]
SV3150iV5-4	922	580	14	580	1302.5	1271.5	495
SV3750iV5-4	[6.30]	[22.83]	[0.55]	[22.83]	[51.28]	[50.06]	[19.49]

7) 500kW (400V)  
500kW (DC Input Type)

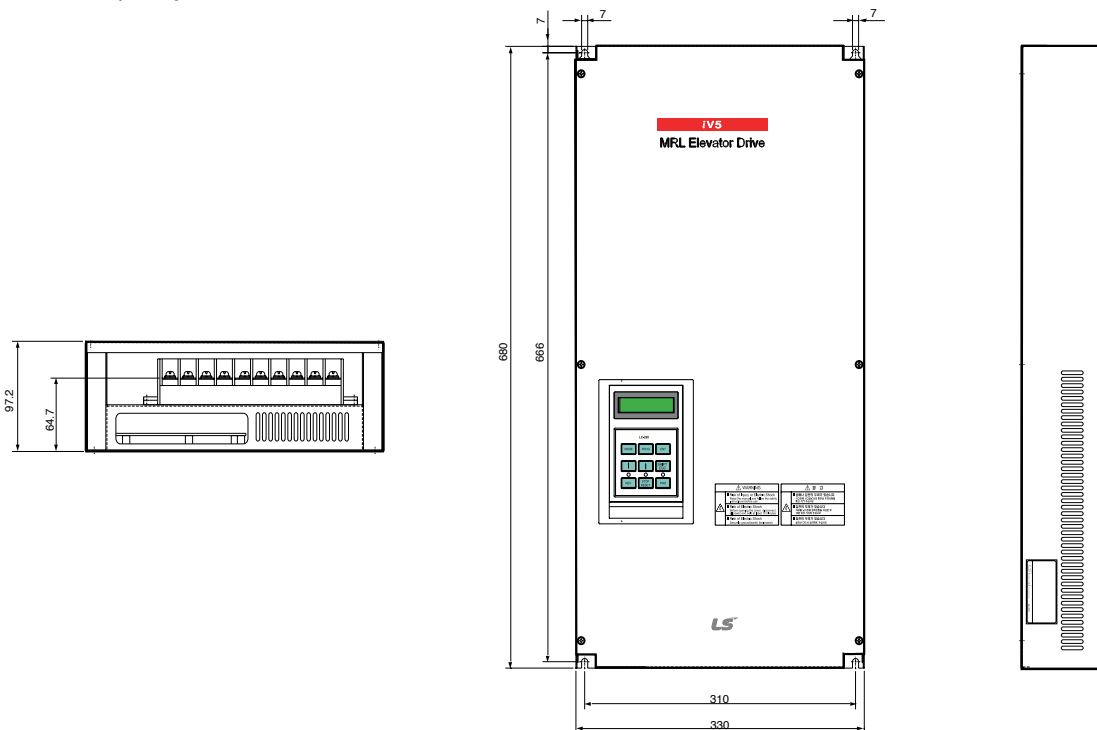


● Dimensions of each capacity (mm[inches])

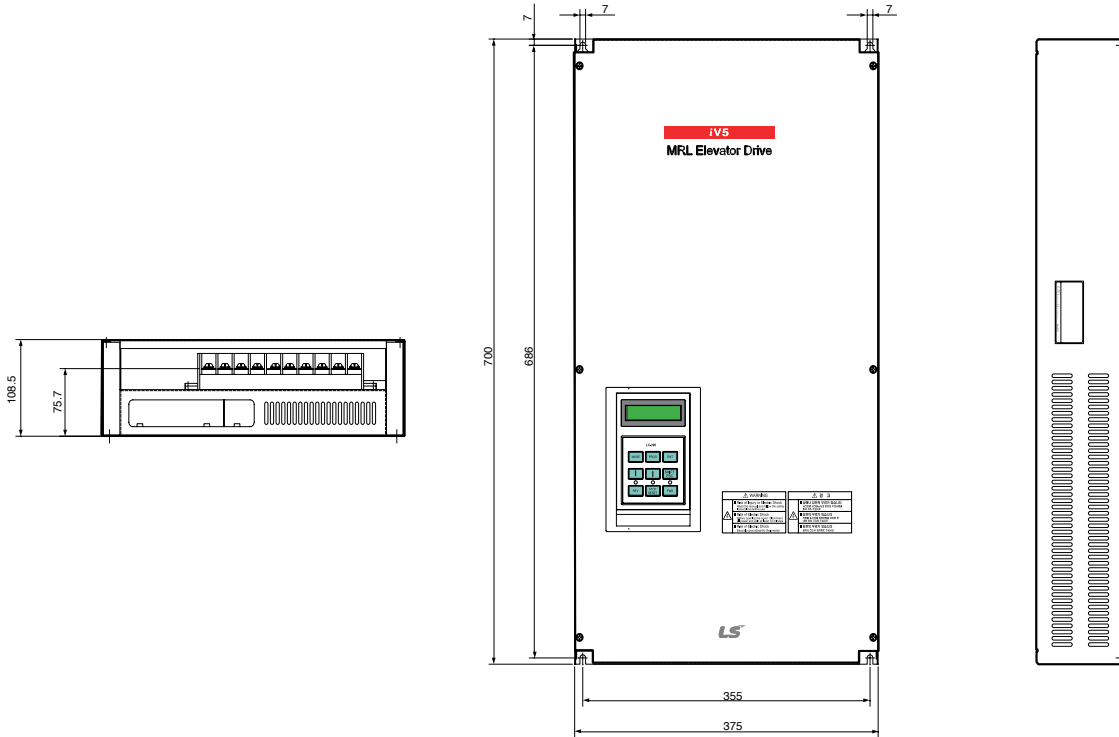
\* DC has a same dimension as AC.

Drive Model	W1	W3	H1	D1
SV5000iV5-4	1200 [30.39]	1330 [44.90]	1260 [43.70]	550 [17.40]

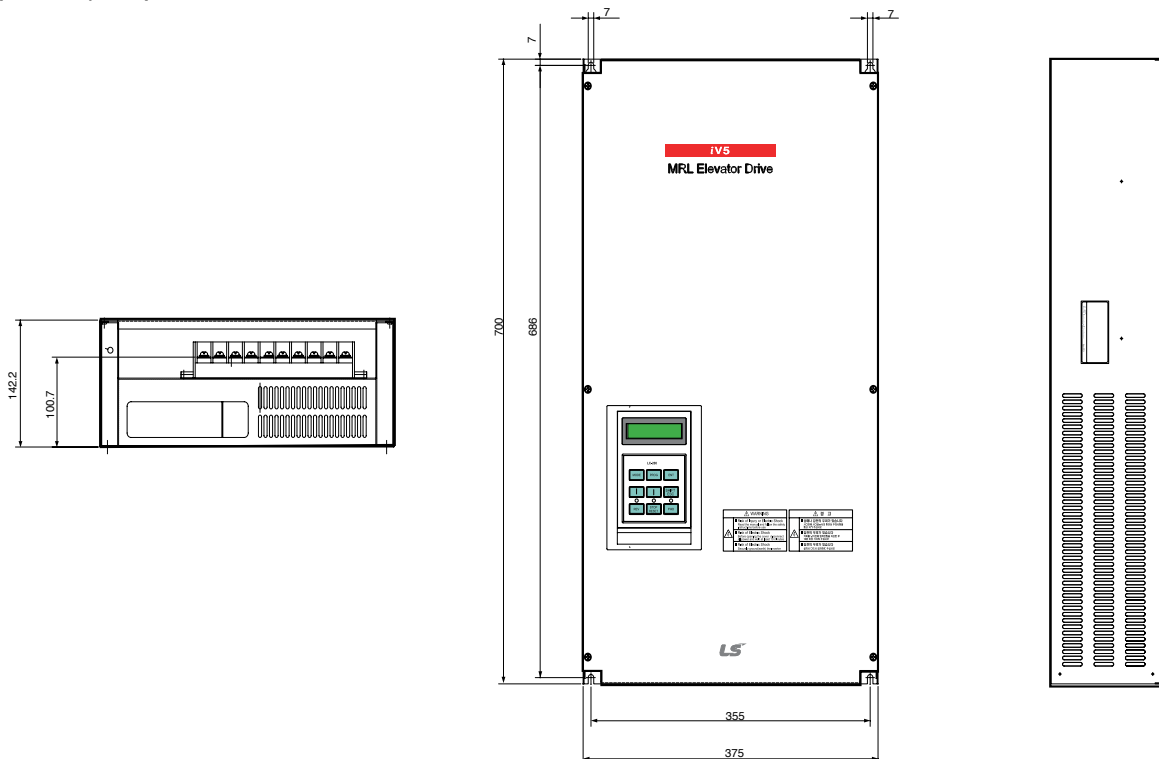
8) 7.5 ~ 11kW (MRL)



9) 15kW (MRL)



10) 22kW (MRL)



## ■ Fault Display

Drive faults activate its protection functions which enable the alarm operation and each fault status is displayed in the loader. Refer to table shown below for the LCD loader displays.

Protection function	LCD Display	Description
Over current	OC-U OC-V OC-W	Drive turns off its output when the output current of the drive flows more than 200% of the drive rated current.
Ground fault protection	Ground Fault	Drive turns off its output when a ground fault occurs and the ground fault current is more than the internal setting value of the drive. Over current trip function may protect the drive when a ground fault occurs due to a low ground fault resistance.
Over voltage protection	Over Voltage	Drive turns off its output if the DC voltage of the main circuit increases higher than the rated value (200V series : 400V DC, 400V Series : 800V DC) when the motor decelerates or when regenerative energy flows back to the drive due to a regenerative load. This fault can also occur due to a surge voltage generated at the power supply system.
Low voltage protection	Low Voltage	Drive turns off its output if the DC voltage is below the rated level(200V Series: 200VDC, 400V Series : 400Vdc) because insufficient torque or over heating of the motor can occurs when the input voltage of the drive drops.
Over load trip (Over load protection)	Over Load	Drive turns off its output if the output current of drive is over 180% of motor rated current and over load trip time. ( only applicable to over 90kW drives and also V/F control mode)
Fuse open	Fuse Open	Drive turns off its output by opening the fuse when something is wrong with the main circuit IGBT to protect the wiring from being damaged from short currents
Drive over heat	InvOver Heat	Drive turns off its output if the heat sink over heats due to a damaged cooling fan or an alien substance in the cooling fan by detecting the temperature of the heat sink.
Drive NTC thermister open	InvThem OP	Drive turns off its output if the NTC Thermister, which measures the temperature of drive, is open.
Motor over heat	MotOver Heat	Drive turns off its output if the motor is over-heated to protect the motor. This protective function prevents the motor from over heat.
Motor NTC thermister open	MotThem OP	Drive turns off its output if the NTC Thermister, which measures the motor temperature, is open.
Electronic thermal	E-Thermal	Internal electronic thermal of the drive determines the over heating of the motor. If the motor is overloaded the drive turns off the output. Drive cannot protect the motor when driving a multi-pole motor or when driving multiple motors, so consider thermal relays or other thermal protective devices for each motor.
External fault	Ext Trip-B	This is used if the user wants to turn off the drive output due to external fault signal.
IGBT short	Arm short-U Arm short-V Arm Short-W Arm Short-DB	Drive turns off its output if IGBT Arm or output shorts occur.
Encoder error	Encoder Err	This is displayed if there is a problem of encoder signal.
BX Protection (Instant cut off)	BX	Used for the emergency stop of the drive. The drive instantly turns off the output when the BX terminal is turned ON, and returns to regular operation when the BX terminal is turned OFF. Take caution when using this function.
Motor over speed	Over Speed	The motor runs exceeding 120% of its maximum default speed.
Communication error	COM Error CPU Error	This is displayed if there is any types of communication errors between the drive main and loader.

Proper peripheral devices must be selected and correct connections made to ensure proper operation. An incorrectly applied or installed drive can result in system malfunction or reduction in product life as well as component damage. You must read and understand this manual thoroughly before proceeding.

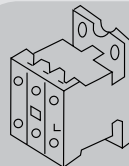
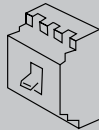


**AC source supply**

Use the power supply within the permissible range of drive input power rating.

**MCCB or Earth leakage circuit breaker (ELB)**

Select circuit breakers with care. A large inrush current may flow in the drive at power on.

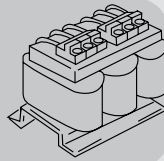


**Magnetic contactor**

Install it if necessary. Installed, do not use it for the purpose of starting or stopping. Otherwise, it could lead to reduction in product life.

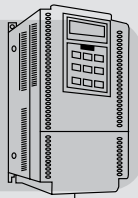
**AC reactor**

The AC reactor must be used when the power factor is to be improved or the drive is installed near a large power supply system (1000kVA or more and wiring distance within 10m).



**Installation and wiring**

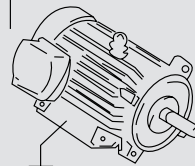
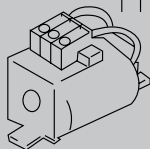
To operate the drive with high performance for a long time, install the drive in a proper place in the correct direction and with proper clearances. Incorrect terminal wiring could result in the equipment damage.



Ground

**DC reactor**

It is required for drives 5.5kW~22kW (200/400V). Not necessary for drives below 3.7kW.

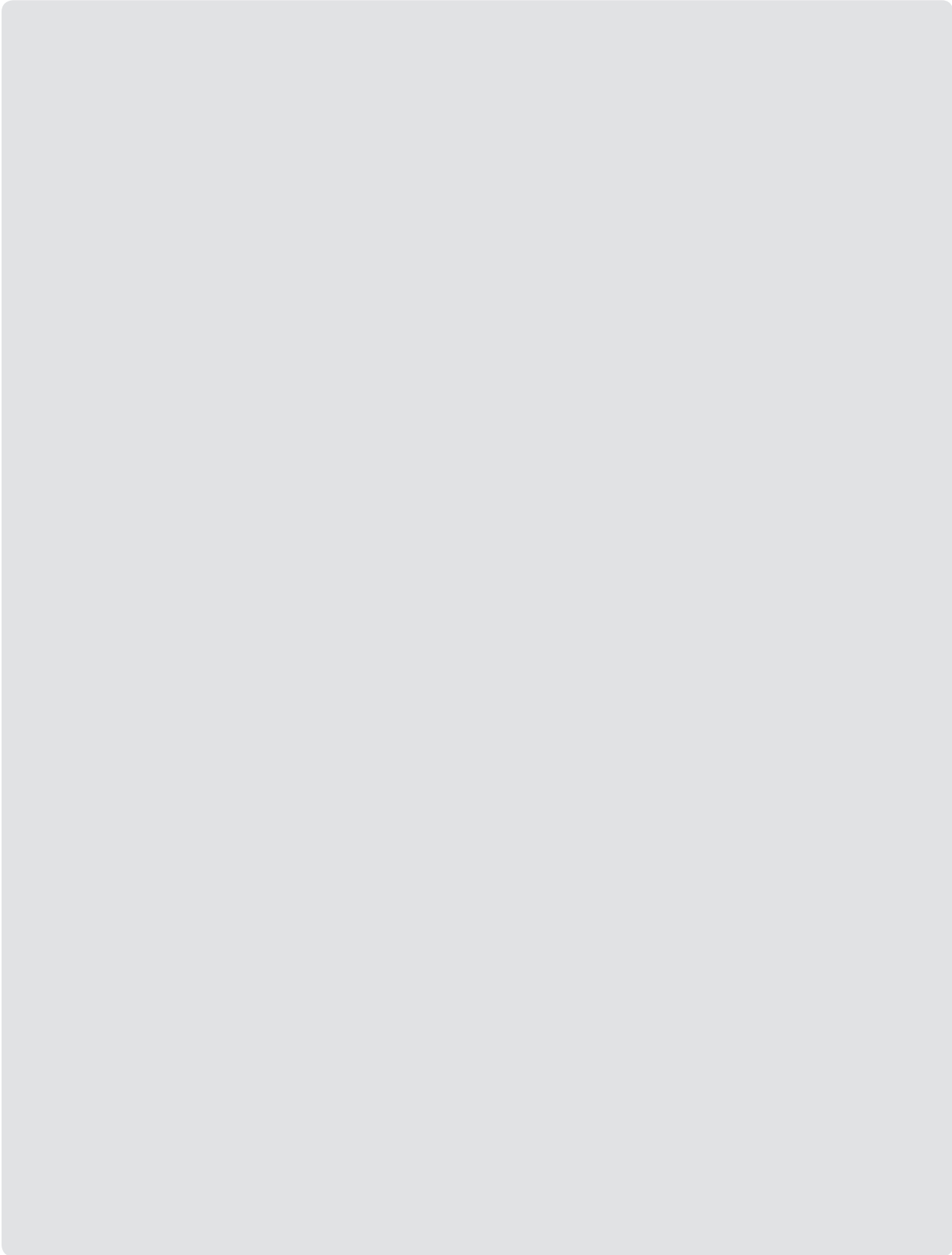


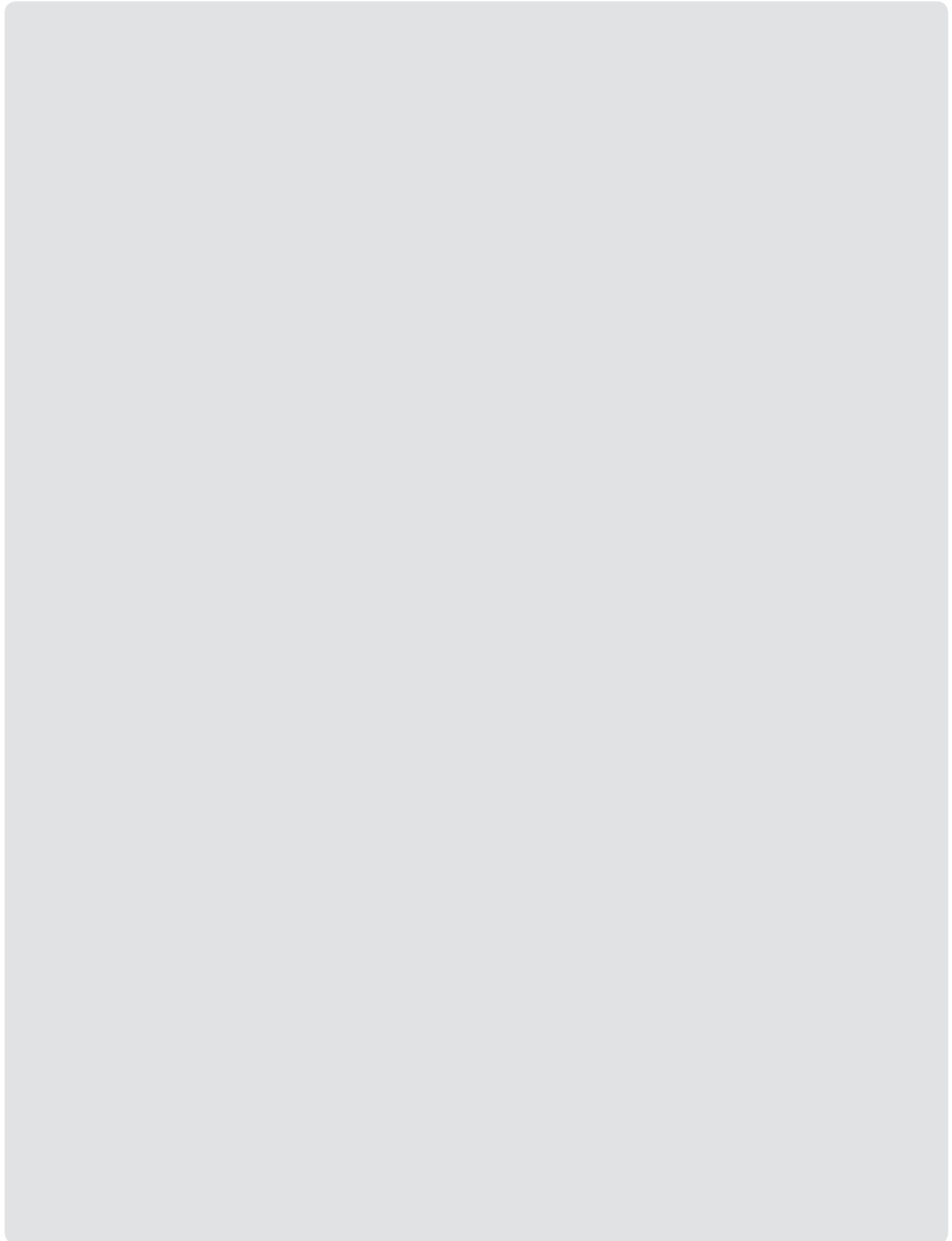
**To motor**

Do not connect a power factor capacitor, surge suppressor or radio noise filter to the output side of the drive.

Ground











**Safety Instructions**

- For your safety, please read user's manual thoroughly before operating.
- Contact the nearest authorized service facility for examination, repair, or adjustment.
- Please contact qualified service technician when you need maintenance.  
Do not disassemble or repair by yourself!
- Any maintenance and inspection shall be performed by the personnel having expertise concerned.



- According to The WEEE Directive, please do not discard the device with your household waste.