

## SensoMAG S30

Optical-Smoke Fire Alarm Detector

**EN54-7**

### Description

SensoMAG S30 is an optical-smoke detector with digital processing algorithm. The detector is designed to detect smoke in the very early stage of the fire situation. SensoMAG S30 is suitable for installing in any conventional fire alarm system designed with fire alarm panel with fire alarm threshold between 10mA and 15mA.



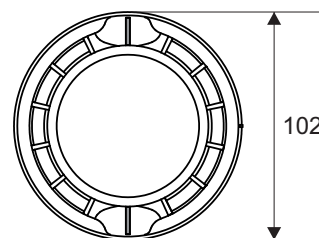
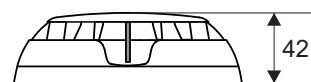
### Technical and Environmental Specifications

Operating Voltage Range . . . . .	9 - 30 V DC (Nom. 12/24VDC)
Average current consumption in quiescent state . . . . .	< 50µA
Alarm state current:	
- with base type B24 and B24D . . . . .	20 mA / 12÷30V
- with base type B24RD . . . . .	33 mA / 12V; 49mA/24V; 57mA/30V
- with base type B12L/U . . . . .	18 mA / 9V; 29mA/12V; 32mA/15V
Output in alarm state at terminal RI . . . . .	20mA (max)/ -3.3V (Towards terminals +IN /+OUT)
Degree of protection . . . . .	IP30
Wire Gauge for terminals . . . . .	0.4mm <sup>2</sup> ÷ 2.0mm <sup>2</sup>
Operational temperature range . . . . .	-10°C ÷ +60°C
Relative humidity resistance . . . . .	(93 ± 3)% @ 40°C
Dimensions (incl. base) . . . . .	ø102mm, h 42mm
Weight (incl. base) . . . . .	160g



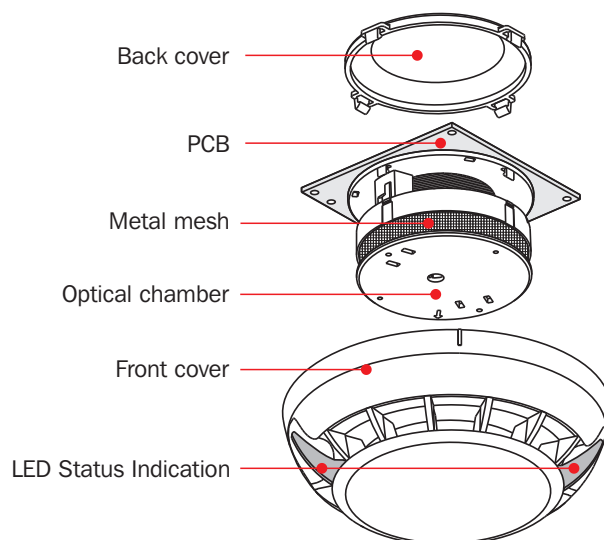
DoP No: 089

1293-CPR-0637



### Application

SensoMAG S30 is a high sensitive optical smoke detector. It is suitable for applications where early detection of smoke or fire is with great importance, for example office buildings, supermarkets, schools, etc.



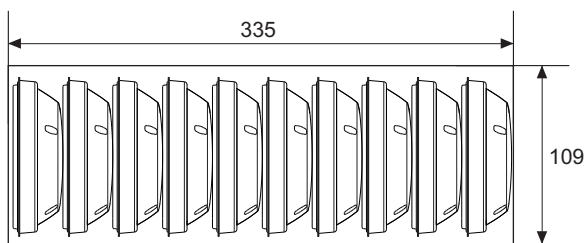
### Contact Information:

## SensoMAG S30 Optical-Smoke Fire Alarm Detector

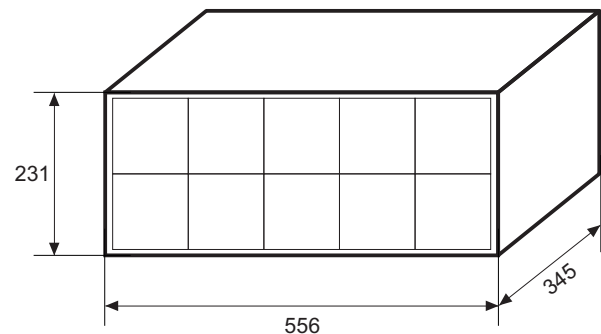
**EN54-7**

### Packing Information

• **Master box** - 10 units SensoMAG S30, no bases included, dimensions 335 x 109 x 109 mm.  
All detectors are protected with a plastic cap.



• **Carton box** - 100 units SensoMAG S30, (10 master boxes), no bases included, dimensions 556 x 345 x 231 mm.  
All detectors are protected with a plastic cap.



### Compatible Product Range

- **MAG2, MAG2P** - Conventional Fire Alarm Panel, 2 fixed zones
- **MAG4, MAG4P** - Conventional Fire Alarm Panel, 4 fixed zones
- **MAG8** - Conventional Fire Alarm Panel, 8 fixed zones
- **MAG8Plus** - Conventional Fire Alarm Panel, 8 fixed zones, expandable to 16
- **FRL-1** - Remote Fire Indicator
- **SensoMAG B24** - Standard Base
- **SensoMAG B24D** - Standard Base with Schottky diode
- **SensoMAG B24RD** - Standard Base with Schottky diode and increased alarm state current
- **SensoMAG B12L/U** - Base with relay output, 12V
- **Gasket ring** - Rubber gasket ring for extra protection of the smoke chamber
- **Deep Base** - Accessory for mounting on rough surfaces, outdoor pipelines, etc.

## SensoIRIS S130

### Optical-Smoke Fire Alarm Detector

## EN54-7

### Description

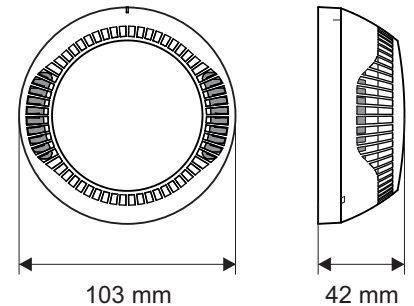
SensoIRIS S130 is an addressable optical-smoke detector designed for installing in addressable fire alarm systems supporting TTE communication protocol. The detector is powered on from the panel and can be controlled via the communication protocol.



### Technical and Environmental Specifications

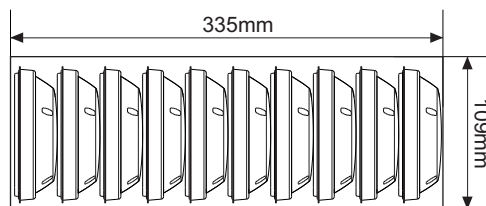
Operating Voltage Range . . . . .	15 - 32VDC (Nom. 27VDC)
Consumption in quiescent state, no communication . . .	< 160µA@27VDC
Consumption in quiescent state, with communication . .	< 200µA@27VDC
Consumption in alarm state, with communication . . . .	6.5mA
Sensitivity, selectable from control panel. . . . .	High/ Normal/ Middle/ Low
Output in alarm state at terminal RI (terminals 4/ 1) . . .	7.5 mA (max)/ 7.5V
Wire Gauge for terminals. . . . .	0.4mm <sup>2</sup> - 2.0mm <sup>2</sup>
Operating temperature . . . . .	-10°C to +60°C
Relative humidity resistance . . . . .	(93 ± 3)% @ 40°C
Protection . . . . .	IP30
Weight (including base). . . . .	~125g
Dimensions (including base) . . . . .	103x42mm

CE 15  
1293  
DoP No: 023  
1293-CPR-0452  
Tested by EVPÜ



### Packing Information

• **Master box** - 10 units SensoIRIS S130, dimensions 335 x 109 x 109 mm, without base. All detectors are protected with a plastic cap.



### Compatible Product Range

- **IRIS** - Addressable Fire Panel, 4 loops, 96 Zones
- **IRIS PRO** - Addressable Fire Panel, metal box, 4 loops, 96 Zones
- **SIMPO** - Addressable Fire Panel, 2 loops, 48 Zones
- **SensoIRIS FRL-1** - Remote Fire Indicator
- **SensoIRIS B124** - Standard Base
- **SensoIRIS BSOU** - Addressable base with built-in sounder
- **SensoIRIS BSST** - Addressable base with built-in sounder and strobe
- **DeepBase W** - Deep base accessory, white, for mounting on rough surfaces, outdoor pipelines, etc.
- **SensoIRIS Programmer** - Address Programming Tool

## SensoIRIS S130 IS

Adresseerbare optische rookdetector

EN54-7/ 17

### Omschrijving

De SensoIRIS S130 IS is een adresseerbare optische rookdetector met ingebouwde dubbele isolator. Deze detector is ontworpen op een adresseerbare brandmeldcentrale met het TTE communicatie protocol. De detector is gevoed via de brandmeldcentrale en aangestuurd via het communicatieprotocol.



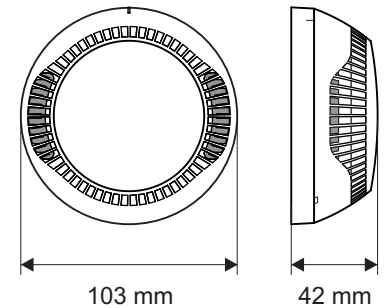
### Technische specificaties

Voedingsspanning . . . . .	16-32VDC (Nom. 27VDC)
Stroomverbruik in rust, zonder communicatie. . . . .	< 190µA@27VDC
Stroomverbruik in rust, met communicatie. . . . .	< 310µA@27VDC
Stroomverbruik in alarm, met communicatie . . . . .	6.5mA
Gevoeligheid (EN54-7) . . . . .	Hoog / Normaal / Middel / Laag
Uitgang in alarm op klem RI (terminals 4/ 1) . . . . .	7.5 mA (max)/ 7.5V
Sectie aders . . . . .	0.4mm <sup>2</sup> - 2.0mm <sup>2</sup>
Omgevingstemperatuur . . . . .	-10°C to +60°C
Maximale vochtigheid . . . . .	(93 ± 3)% @ 40°C
Beschermingsgraad . . . . .	IP30*
Gewicht (sokkel incl) . . . . .	~125g
Afmetingen (sokkel incl). . . . .	103x42mm

\* Niet getest door LPCB

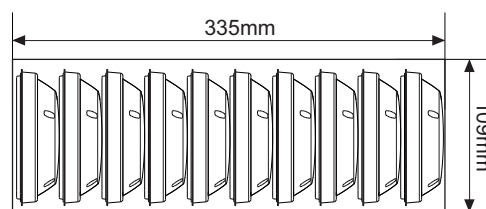


Tested by **EVPÜ**



### Verpakkingsinformatie

• **Masterdoos:** 10 stuks SensoIRIS S130 IS, afmetingen 335 x 109 x 109 mm, zonder sokkel. Alle detectoren hebben een beschermingskap in kunststof.



### Compatibele producten

- **IRIS** - adresseerbare brandmeldcentrale, 4 lussen, 96 zones
- **IRIS PRO** - adresseerbare brandmeldcentrale, metalen kast, 4 lussen, 96 zones
- **SIMPO** - adresseerbare brandmeldcentrale, 2 lussen, 48 zones
- **SensoIRIS FRI-1** - Nevenindicator
- **SensoIRIS B124** - standaard sokkel
- **SensoIRIS BSOU** - adresseerbare brandmeldbasis met ingebouwde sirene
- **SensoIRIS BSST** - adresseerbare brandmeldbasis met ingebouwde sirene en flitser
- **DeepBase W** - Accessoire voor montage op ruwe oppervlakken, buitenleidingen, ed
- **SensoIRIS Programmer** - Programmatietoestel