

MINIVALVES SERIES VME, MECHANICALLY HAND OPERATED

- Minivalves with 2/2 or 3/2 NO NC poppet
- Installation in any position
- Push-in fittings for pipe Ø 4, Ø 6 mm and M5 on the valve body
- Low actuation force
- Rapid, accurate signal
- Mechanical actuation
- The 2 places adapter allows manual actuation of 1 or 2 VME valves with manual Ø 22 panel actuators. Thus it is possible to obtain 3/2, 5/2, 5/3 open centre and 5/3 pressure centre pneumatic functions.
- On request, it is possible to place a NC-NO electric switch next to a VME valve for mixed solenoid/pneumatic signals.

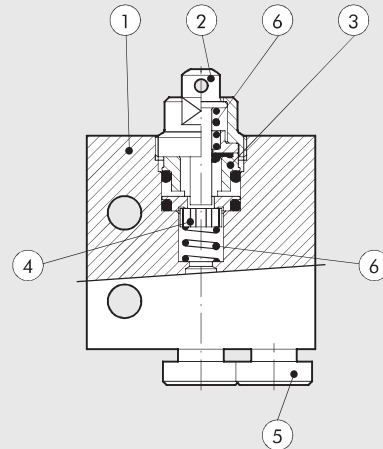


TECHNICAL DATA

Valve fitting port	Push-in fitting for pipe Ø 4 or Ø 6 and M5 (axial or side)
Fluid	Filtered air without lubrication; lubrication, if used, must be continuous
Type	With poppet
Versions	Mechanical and manual
Operators:	With Plunger – Plunger for wall-mounting – Roller lever – Unidirectional roller lever
• mechanical	Depending on the type of actuation panel selected
• manual	
Operating pressure	bar
Operating temperature range	°C
Nominal diameter	mm
Conductance C	Nl/min · bar
Critical ratio b	bar/bar
Flow rate at 6 bar ΔP 0.5 bar	Nl/min
Flow rate at 6 bar ΔP 1 bar	Nl/min
Actuation force – Plunger at 6 bar	N
Recommended lubricant	ISO and UNI FD22
Installation	In any position
Compatibility with oils	See chapter Z1

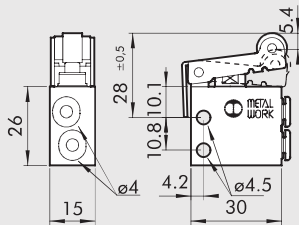
COMPONENTS

- ① VALVE BODY: Aluminium
- ② BUTTON: chemically nickel-plated brass
- ③ DISTANCE PLATES: Brass
- ④ GASKETS: NBR
- ⑤ PUSH-IN FITTING CARTRIDGES: stainless steel, brass and plastic
- ⑥ SPRINGS: stainless steel



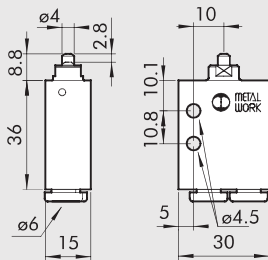
ROLLER LEVER 2/2 NC Ø 4 - SIDE FITTINGS

Code	Description	Weight [g]
8286919	VME2-0S NC Ø4	42



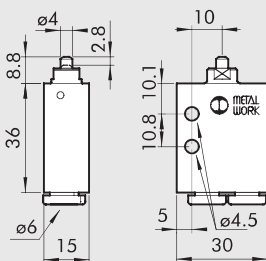
PLUNGER 3/2 NO Ø 6 - AXIAL FITTINGS

Code	Description	Weight [g]
W3501000130	VME1-30 NO Ø6	51



PLUNGER 3/2 NC Ø 6 - AXIAL FITTINGS

Code	Description	Weight [g]
W3501000131	VME1-31 NC Ø6	51



VALVES SERIES 70, HAND OPERATED

TECHNICAL DATA		1/8"	1/4"	1/2"
Operating pressure range:				
• version with direct control	bar	Vacuum ÷ 10		
• Pilot-assisted version	bar	from 2.5 to 10		
Operating temperature range		°C from -10 to +60		
Nominal diameter		mm 5	7.5	15
Conductance C		Nl/min · bar 121.43	264.26	971.43
Critical ratio b		bar/bar 0.32	0.27	0.43
Flow rate at 6 bar ΔP 0.5 bar		Nl/min 400	750	3200
Flow rate at 6 bar ΔP 1 bar		Nl/min 550	1100	4600



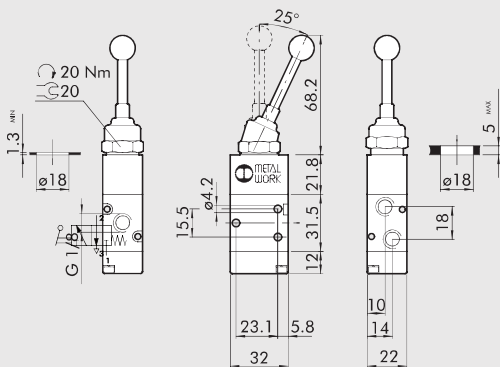
SYNOPTIC, SIZES AND VERSION

MAV FAMILY	2 DIMENSIONS	3 FUNCTION	PP OPERATION 14	S REPEATED OPERATION (12)	NC FURTHER DETAILS
MAV manual valves	2 1/8" 3 1/4" 4 1/2"	3 3/2 5 5/2 6 5/3 8 2 x 3/2	PP drawer VL axial lever LE 90° lever BRE arranged for manual panel actuators SP special	A pneumatic/ mechanical spring* S mechanical spring B bistable D differential O stable for 5/3 P pneumatic	NC normally closed NO normally open OO no indication CC closed centres OC open centres PC pressure centres SP special

*on demand

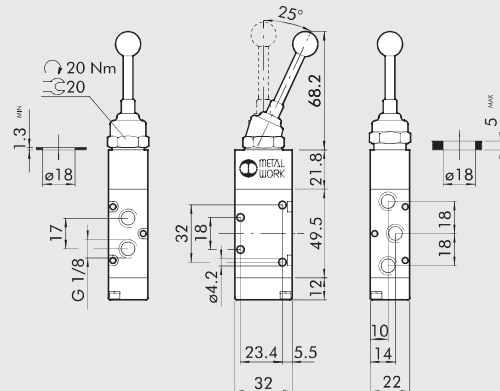
VALVES SERIES 70, HAND OPERATED, 1/8"

FRONT LEVER 3/2, 1/8" MONOSTABLE



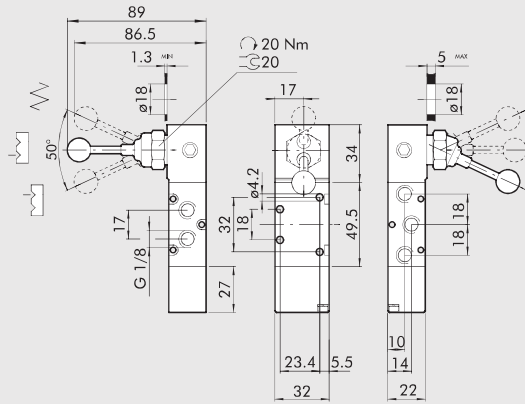
Symbol	Code	Abbrev.	Weight [g]
	8800801	MAV 23 VLS NC	130

FRONT LEVER 5/2, 1/8" MONOSTABLE



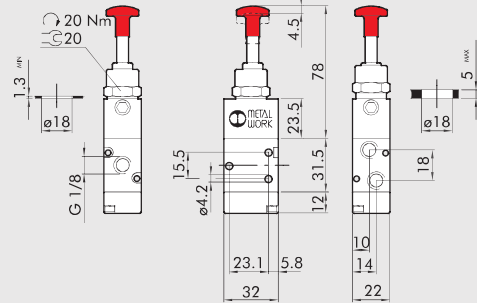
Symbol	Code	Abbrev.	Weight [g]
	8826334	MAV 25 VLS OO	156

90° ANGULAR LEVER 5/3, 1/8" WITH 2 STABLE POSITIONS



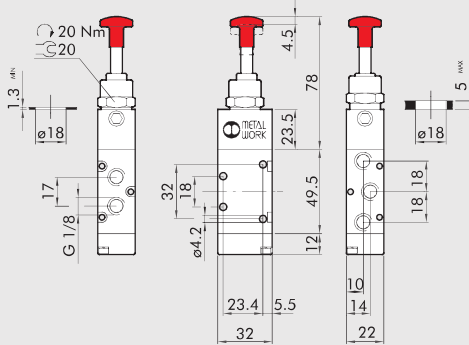
Symbol	Code	Abbrev.	Weight [g]
	8829106	MAV 26 SPB CC	242
	8294569	MAV 26 SPB OC	242

RED DRAWER 3/2, 1/8"



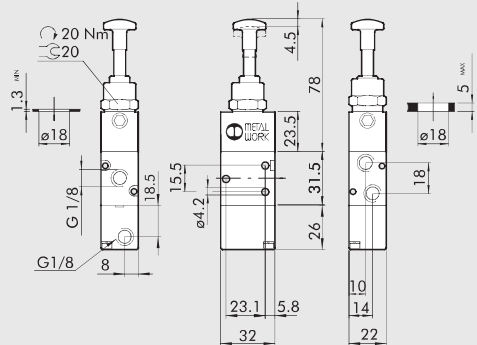
Symbol	Code	Abbrev.	Weight [g]
	7010001301	MAV 23 PPB OO	134
	7010001201	MAV 23 PPS NC	134

RED DRAWER 5/2, 1/8"



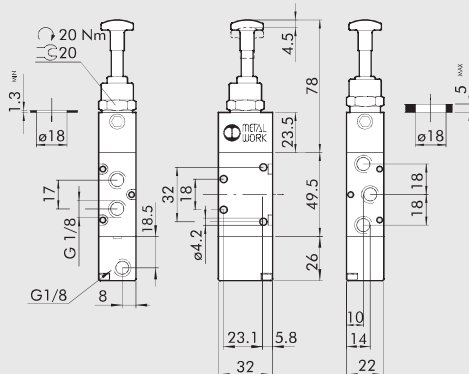
Symbol	Code	Abbrev.	Weight [g]
	7010001601	MAV 25 PPB OO	160
	7010001501	MAV 25 PPS OO	160

DRAWER 3/2, 1/8" PNEUMATIC RETURN



Symbol	Code	Abbrev.	Weight [g]
	8826503	MAV 23 PPP NC	148

DRAWER 5/2, 1/8" PNEUMATIC RETURN

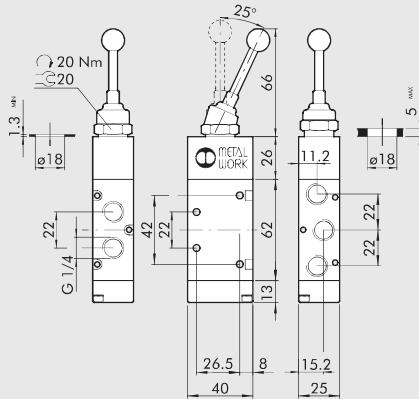


Symbol	Code	Abbrev.	Weight [g]
	8287369	MAV 25 PPP NC	174

NOTES

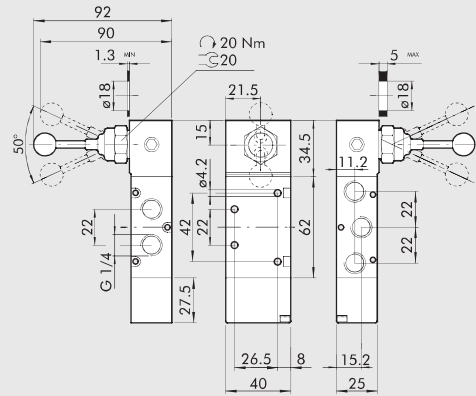
VALVES SERIES 70, HAND OPERATED, 1/4"

FRONT LEVER 5/2, 1/4" MONOSTABLE



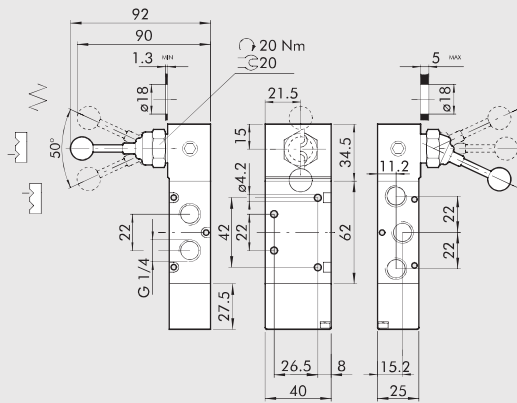
Symbol	Code	Abbrev.	Weight [g]
	8826332	MAV 35 VLS OO	194

90° ANGULAR LEVER 5/3, 1/4" WITH PRESSURISED PORT 2 AT THE CENTRE



Symbol	Code	Abbrev.	Weight [g]
	8826526	MAV 36 LES SP	354

90° ANGULAR LEVER 5/3, 1/4" WITH 2 STABLE POSITIONS



Symbol	Code	Abbrev.	Weight [g]
	8396201	MAV 36 LES SP	354

NOTES

VALVES SERIES 70, MECHANICALLY OPERATED, 1/8"



TECHNICAL DATA

Thread at valve ports		1/8"
Operation force at 6 bar:		
• Version with direct control	N	50
• Pilot-assisted Version	N	6
Operating pressure:		
• Version with direct control	bar	from vacuum to 10
• Pilot-assisted version	bar	from 2.5 to 10
Operating temperature range	°C	from -10 to +60
Nominal diameter	mm	5
Conductance C	Nl/min · bar	121.43
Critical ratio b	bar/bar	0.32
Flow rate at 6 bar ΔP 0.5 bar	Nl/min	400
Flow rate at 6 bar ΔP 1 bar	Nl/min	550

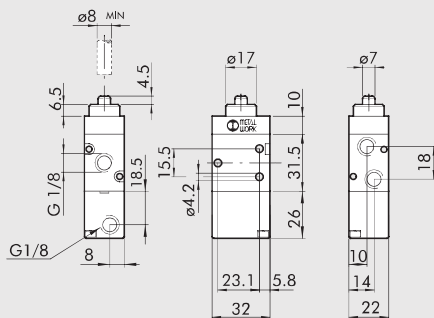


SYNOPTIC, SIZES AND VERSION

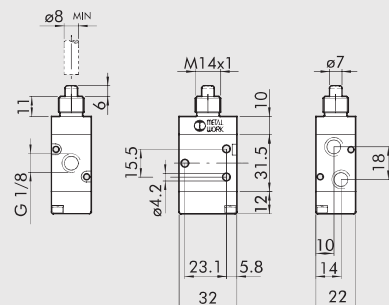
M E V		2		3		T A		S		N C	
FAMILY		DIMENSIONS		FUNCTION		OPERATORS 14		RESETTING (12)		FURTHER DETAILS	
MEV	mechanically operated valves	2	1/8"	3	3/2	TA	plunger	S	mechanical springs	NC	normally closed
				5	5/2	BR	bidirectional roller	A	pneumatic/mechanical spring*	OO	5/2
						UR	unidirectional roller	P	pneumatic	SP	special
						TS	sensitive plunger	B	bistable		
						RS	sensitive roller				
						AS	sensitive aerial				
						LL	frontal roller lever				
						LV	unidirectional lever				
						LS	sensitive lever				
						LR	extended roller lever				

*on demand

PLUNGER 3/2, 1/8" PNEUMATIC RETURN



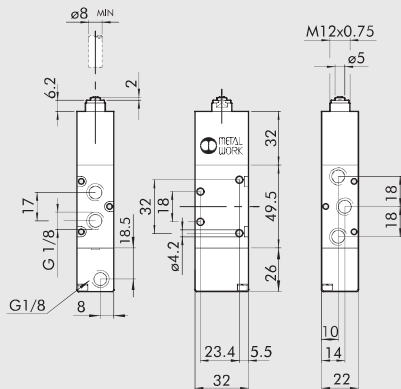
PLUNGER 3/2, 1/8" FOR FIXING TO PANEL



Symbol	Code	Abbrev.	Weight [g]
	8825961	MEV 23 TAP OO	102

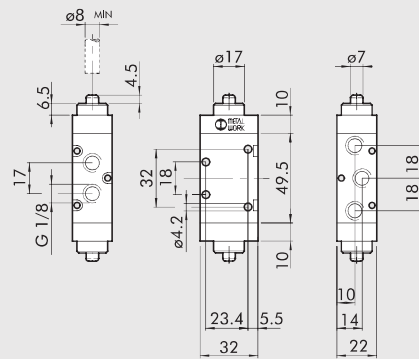
Symbol	Code	Abbrev.	Weight [g]
	8829123	MEV 23 TAS SP	102

PILOT-ASSISTED PLUNGER 5/2, 1/8" PNEUMATIC RETURN



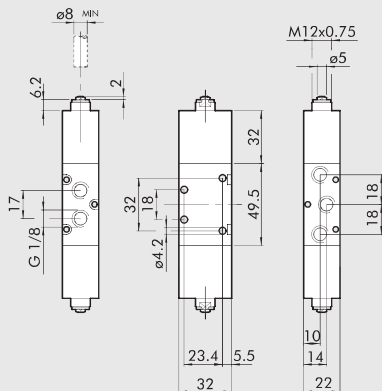
Symbol	Code	Abbrev.	Weight [g]
	7010001902	MAV 25 BTP OO	166

DOUBLE PLUNGER 5/2, 1/8"



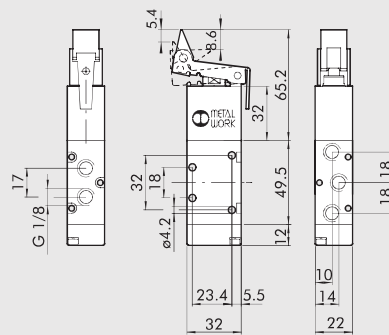
Symbol	Code	Abbrev.	Weight [g]
	7001000130	MEV 25 TAB OO	143

PILOT-ASSISTED DOUBLE PLUNGER 5/2, 1/8"



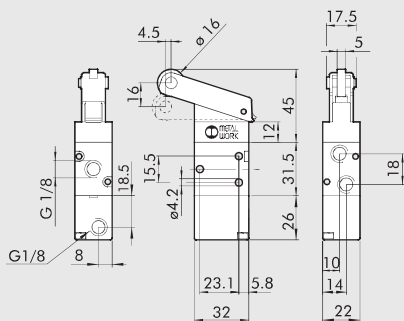
Symbol	Code	Abbrev.	Weight [g]
	7001000230	MEV 25 TSB OO	233

PILOT-ASSISTED UNIDIRECTIONAL ROLLER LEVER 5/2, 1/8"



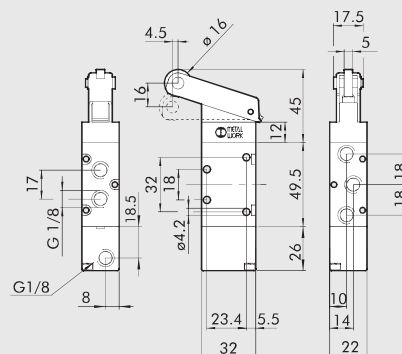
Symbol	Code	Abbrev.	Weight [g]
	7001000413	MEV 25 LUS OO	189

ROLLER LEVER 3/2, 1/8" PNEUMATIC RETURN



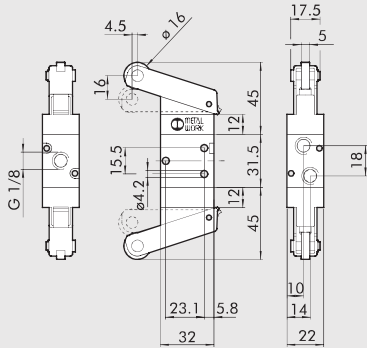
Symbol	Code	Abbrev.	Weight [g]
	8293308	MEV 23 BRP NC	144

ROLLER LEVER 5/2, 1/8" PNEUMATIC RETURN



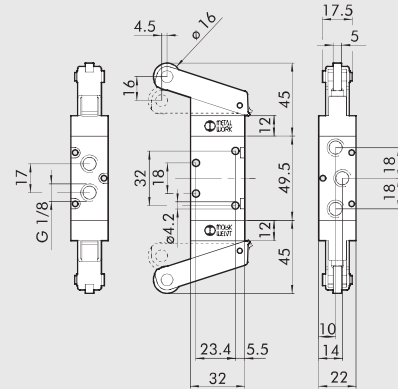
Symbol	Code	Abbrev.	Weight [g]
	88301P4	MEV 25 BRP OO	170

DOUBLE ROLLER LEVER 3/2, 1/8"



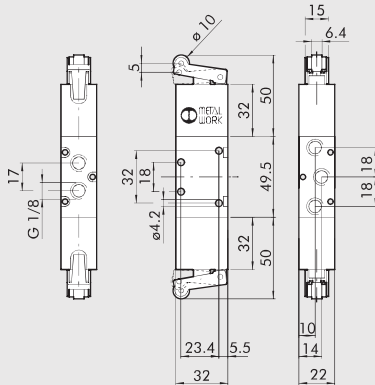
Symbol	Code	Abbrev.	Weight [g]
	7001000530	MEV 23 BRB OO	223

DOUBLE ROLLER LEVER 5/2, 1/8"



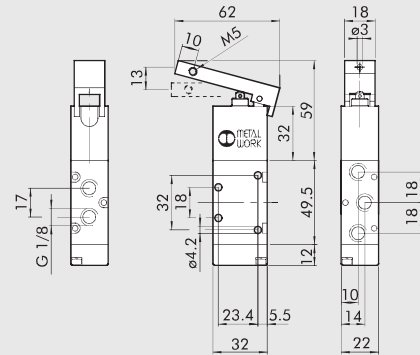
Symbol	Code	Abbrev.	Weight [g]
	7001000540	MEV 25 BRB OO	285

PILOT-ASSISTED DOUBLE ROLLER LEVER 5/2, 1/8"



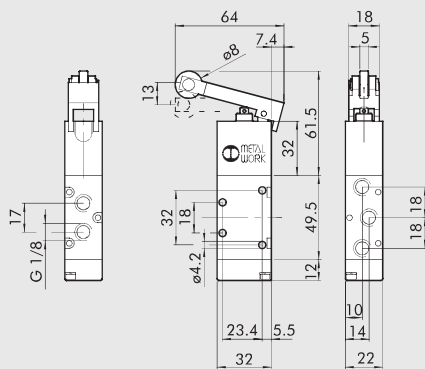
Symbol	Code	Abbrev.	Weight [g]
	7001000430	MEV 23 RSB OO	255

PILOT-ASSISTED LEVER WITHOUT ROLLER 5/2, 1/8"



Symbol	Code	Abbrev.	Weight [g]
	7001000411	MEV 25 LSS OO	209

EXTENDED PILOT-ASSISTED ROLLER LEVER 5/2, 1/8"



Symbol	Code	Abbrev.	Weight [g]
	7001000412	MEV 25 LRS OO	213

NOTES