

Product data sheet

Specifications



Capacitor duty contactor, TeSys Deca, 25kVAR, 400V, 50Hz, 240VAC 50/60Hz coil

LC1DMKU7

Main

Range	TeSys TeSys Deca
Product name	TeSys LC1D.K TeSys Deca
Product or component type	Capacitor duty contactor
Device short name	LC1DMK
Device application	Control
Contactors application	Power factor correction
Utilisation category	AC-6b
Poles description	3P
Power pole contact composition	3 NO
Device location in system	Inside delta interruption Line interruption
[Ue] rated operational voltage	Power circuit: 690 V AC 50/60 Hz
Reactive power rating	14 kvar at 230 V AC 50 Hz 60 °C 25 kvar at 400 V AC 50 Hz 60 °C 27 kvar at 440 V AC 50 Hz 60 °C 42 kvar at 690 V AC 50 Hz 60 °C
Control circuit type	AC at 50/60 Hz
[Uc] control circuit voltage	240 V AC 50/60 Hz
Auxiliary contact composition	1 NO + 2 NC instantaneous
Electrical durability	300000 cycles at Ue 400 V 200000 cycles at Ue 690 V
Mounting support	DIN rail Plate
Standards	EN/IEC 60947-1 EN/IEC 60947-4-1 IEC 60335-1
Product certifications	IECEE CB Scheme UKCA
Connections - terminals	Control circuit: screw clamp terminals 1 1...4 mm ² - cable stiffness: solid Control circuit: screw clamp terminals 2 1...4 mm ² - cable stiffness: solid Control circuit: screw clamp terminals 1 1...4 mm ² - cable stiffness: flexible without cable end Control circuit: screw clamp terminals 1 1...4 mm ² - cable stiffness: flexible without cable end Control circuit: screw clamp terminals 1 1...4 mm ² - cable stiffness: flexible with cable end Control circuit: screw clamp terminals 2 1...2.5 mm ² - cable stiffness: flexible with cable end Power circuit: screw clamp terminals 1 2.5...16 mm ² - cable stiffness: solid Power circuit: screw clamp terminals 2 2.5...6 mm ² - cable stiffness: solid Power circuit: screw clamp terminals 1 1.5...10 mm ² - cable stiffness: flexible without cable end Power circuit: screw clamp terminals 2 1.5...6 mm ² - cable stiffness: flexible without cable end Power circuit: screw clamp terminals 1 1...10 mm ² - cable stiffness: flexible with cable end

Feb 13, 2023

Life Is On | Schneider Electric

1

Disclaimer: This documentation is not intended as a substitute for and is not to be used for determining suitability or reliability of these products for specific user applications

Power circuit: screw clamp terminals 2 1...4 mm² - cable stiffness: flexible with cable end

Tightening torque Control circuit: 1.7 N.m - on screw clamp terminals
Power circuit: 2.5 N.m - on screw clamp terminals

Maximum operating rate 240 cyc/h

Complementary

Auxiliary contacts type type mechanically linked 1 NO + 2 NC conforming to IEC 60947-5-1

Environment

IP degree of protection IP20 front face conforming to IEC 60529

Ambient air temperature for operation -5...60 °C

Ambient air temperature for storage -60...80 °C

Operating altitude 0...3000 m

Height 125 mm

Width 45 mm

Depth 127 mm

Net weight 0.63 kg

Packing Units

Unit Type of Package 1 PCE

Number of Units in Package 1 1

Package 1 Height 6.600 cm

Package 1 Width 19.600 cm

Package 1 Length 22.600 cm

Package 1 Weight 608 g

Unit Type of Package 2 S03

Number of Units in Package 2 6

Package 2 Height 30.000 cm

Package 2 Width 30.000 cm

Package 2 Length 40.000 cm

Package 2 Weight 4.139 kg

Unit Type of Package 3 P06

Number of Units in Package 3 48

Package 3 Height 75.000 cm

Package 3 Width 60.000 cm

Package 3 Length 80.000 cm

Package 3 Weight 43.628 kg

Offer Sustainability

Sustainable offer status Green Premium product

REACH Regulation [REACH Declaration](#)

REACH free of SVHC Yes

EU RoHS Directive Compliant
[EU RoHS Declaration](#)

Toxic heavy metal free	Yes
Mercury free	Yes
China RoHS Regulation	China RoHS declaration Pro-active China RoHS declaration (out of China RoHS legal scope)
RoHS exemption information	Yes
Environmental Disclosure	Product Environmental Profile
California proposition 65	WARNING: This product can expose you to chemicals including: Lead and lead compounds, which is known to the State of California to cause cancer and birth defects or other reproductive harm. For more information go to www.P65Warnings.ca.gov

Contractual warranty

Warranty	18 months
----------	-----------

Recommended replacement(s)

Product data sheet

Specifications



Capacitor duty contactor, TeSys Deca, 25kVAR, 400V, 50Hz, 400VAC 50/60Hz coil

LC1DMKV7

Main

Range	TeSys TeSys Deca
Product name	TeSys LC1D.K TeSys Deca
Product or component type	Capacitor duty contactor
Device short name	LC1DMK
Device application	Control
Contactor application	Power factor correction
Utilisation category	AC-6b
Poles description	3P
Power pole contact composition	3 NO
Device location in system	Inside delta interruption Line interruption
[Ue] rated operational voltage	Power circuit: 690 V AC 50/60 Hz
Reactive power rating	14 kvar at 230 V AC 50 Hz 60 °C 25 kvar at 400 V AC 50 Hz 60 °C 27 kvar at 440 V AC 50 Hz 60 °C 42 kvar at 690 V AC 50 Hz 60 °C
Control circuit type	AC at 50/60 Hz
[Uc] control circuit voltage	400 V AC 50/60 Hz
Auxiliary contact composition	1 NO + 2 NC instantaneous
Electrical durability	300000 cycles at Ue 400 V 200000 cycles at Ue 690 V
Mounting support	DIN rail Plate
Standards	EN/IEC 60947-1 EN/IEC 60947-4-1 IEC 60335-1
Product certifications	IECEE CB Scheme UKCA
Connections - terminals	Control circuit: screw clamp terminals 1 1...4 mm ² - cable stiffness: solid Control circuit: screw clamp terminals 2 1...4 mm ² - cable stiffness: solid Control circuit: screw clamp terminals 1 1...4 mm ² - cable stiffness: flexible without cable end Control circuit: screw clamp terminals 1 1...4 mm ² - cable stiffness: flexible without cable end Control circuit: screw clamp terminals 1 1...4 mm ² - cable stiffness: flexible with cable end Control circuit: screw clamp terminals 2 1...2.5 mm ² - cable stiffness: flexible with cable end Power circuit: screw clamp terminals 1 2.5...16 mm ² - cable stiffness: solid Power circuit: screw clamp terminals 2 2.5...6 mm ² - cable stiffness: solid Power circuit: screw clamp terminals 1 1.5...10 mm ² - cable stiffness: flexible without cable end Power circuit: screw clamp terminals 2 1.5...6 mm ² - cable stiffness: flexible without cable end Power circuit: screw clamp terminals 1 1...10 mm ² - cable stiffness: flexible with cable end

Disclaimer: This documentation is not intended as a substitute for and is not to be used for determining suitability or reliability of these products for specific user applications

Power circuit: screw clamp terminals 2 1...4 mm² - cable stiffness: flexible with cable end

Tightening torque
Control circuit: 1.7 N.m - on screw clamp terminals
Power circuit: 2.5 N.m - on screw clamp terminals

Maximum operating rate 240 cyc/h

Complementary

Auxiliary contacts type type mechanically linked 1 NO + 2 NC conforming to IEC 60947-5-1

Environment

IP degree of protection IP20 front face conforming to IEC 60529

Ambient air temperature for operation -5...60 °C

Ambient air temperature for storage -60...80 °C

Operating altitude 0...3000 m

Height 125 mm

Width 45 mm

Depth 127 mm

Net weight 0.63 kg

Packing Units

Unit Type of Package 1 PCE

Number of Units in Package 1 1

Package 1 Height 7 cm

Package 1 Width 23 cm

Package 1 Length 20 cm

Package 1 Weight 615 g

Unit Type of Package 2 S03

Number of Units in Package 2 6

Package 2 Height 30 cm

Package 2 Width 30 cm

Package 2 Length 40 cm

Package 2 Weight 4.088 kg

Offer Sustainability

Sustainable offer status Green Premium product

REACH Regulation [REACH Declaration](#)

REACH free of SVHC Yes

EU RoHS Directive Compliant
[EU RoHS Declaration](#)

Toxic heavy metal free Yes

Mercury free Yes

China RoHS Regulation [China RoHS declaration](#)
Pro-active China RoHS declaration (out of China RoHS legal scope)

RoHS exemption information [Yes](#)

Environmental Disclosure [Product Environmental Profile](#)

WEEE

The product must be disposed on European Union markets following specific waste collection and never end up in rubbish bins

California proposition 65

WARNING: This product can expose you to chemicals including: Lead and lead compounds, which is known to the State of California to cause cancer and birth defects or other reproductive harm. For more information go to www.P65Warnings.ca.gov

Contractual warranty

Warranty

18 months

Recommended replacement(s)

Product data sheet

Specifications



Capacitor duty contactor, TeSys Deca, 40kVAR, 400V, 50Hz, 220VAC 50/60Hz coil

LC1DTKM7

Main

Range	TeSys TeSys Deca
Product name	TeSys LC1D.K TeSys Deca
Product or component type	Capacitor duty contactor
Device short name	LC1DTK
Device application	Control
Contactors application	Power factor correction
Utilisation category	AC-6b
Poles description	3P
Power pole contact composition	3 NO
Device location in system	Line interruption Inside delta interruption
[Ue] rated operational voltage	Power circuit: 690 V AC 50/60 Hz
Reactive power rating	22 kvar at 230 V AC 50 Hz 60 °C 40 kvar at 400 V AC 50 Hz 60 °C 43 kvar at 440 V AC 50 Hz 60 °C 67 kvar at 690 V AC 50 Hz 60 °C 20 kvar at 230 V AC 60 Hz 60 °C 40 kvar at 460 V AC 60 Hz 60 °C 50 kvar at 575 V AC 60 Hz 60 °C
Control circuit type	AC at 50/60 Hz
[Uc] control circuit voltage	220 V AC 50/60 Hz
Auxiliary contact composition	1 NO + 2 NC instantaneous
Electrical durability	300000 cycles at Ue 400 V 200000 cycles at Ue 690 V
Mounting support	DIN rail Plate
Standards	EN/IEC 60947-1 EN/IEC 60947-4-1 UL 60947-4-1 CSA C22.2 No 60947-4-1 IEC 60335-1
Product certifications	IECEE CB Scheme UL CSA UKCA
Connections - terminals	Control circuit: screw clamp terminals 1 1...4 mm ² - cable stiffness: solid Control circuit: screw clamp terminals 2 1...4 mm ² - cable stiffness: solid Control circuit: screw clamp terminals 1 1...4 mm ² - cable stiffness: flexible without cable end Control circuit: screw clamp terminals 2 1...4 mm ² - cable stiffness: flexible without cable end

Disclaimer: This documentation is not intended as a substitute for and is not to be used for determining suitability or reliability of these products for specific user applications

Control circuit: screw clamp terminals 1 1...4 mm² - cable stiffness: flexible with cable end
 Control circuit: screw clamp terminals 2 1...2.5 mm² - cable stiffness: flexible with cable end
 Power circuit: EverLink BTR screw connectors 1 1...35 mm² - cable stiffness: solid
 Power circuit: EverLink BTR screw connectors 2 1...25 mm² - cable stiffness: solid
 Power circuit: EverLink BTR screw connectors 1 1...35 mm² - cable stiffness: flexible with or without cable end
 Power circuit: EverLink BTR screw connectors 2 1...25 mm² - cable stiffness: flexible with or without cable end

Tightening torque	Control circuit: 1.7 N.m - on screw clamp terminals Power circuit: 5 N.m - on EverLink BTR screw connectors - cable 1...25 mm ² Power circuit: 8 N.m - on EverLink BTR screw connectors - cable 35 mm ²
Maximum operating rate	240 cyc/h

Complementary

Auxiliary contacts type	type mechanically linked 1 NO + 2 NC conforming to IEC 60947-5-1
--------------------------------	--

Environment

IP degree of protection	IP20 front face conforming to IEC 60529
Ambient air temperature for operation	-5...60 °C
Ambient air temperature for storage	-60...80 °C
Operating altitude	0...3000 m
Height	166 mm
Width	55 mm
Depth	156 mm
Net weight	1.3 kg

Packing Units

Unit Type of Package 1	PCE
Number of Units in Package 1	1
Package 1 Height	6.7 cm
Package 1 Width	20 cm
Package 1 Length	22.7 cm
Package 1 Weight	1.103 kg
Unit Type of Package 2	S03
Number of Units in Package 2	6
Package 2 Height	30 cm
Package 2 Width	30 cm
Package 2 Length	40 cm
Package 2 Weight	7.191 kg
Unit Type of Package 3	P06
Number of Units in Package 3	48
Package 3 Height	75 cm
Package 3 Width	60 cm
Package 3 Length	80 cm
Package 3 Weight	67.148 kg

Offer Sustainability

Sustainable offer status	Green Premium product
---------------------------------	-----------------------

REACH Regulation	REACH Declaration
REACH free of SVHC	Yes
EU RoHS Directive	Compliant EU RoHS Declaration
Toxic heavy metal free	Yes
Mercury free	Yes
China RoHS Regulation	China RoHS declaration Pro-active China RoHS declaration (out of China RoHS legal scope)
RoHS exemption information	Yes
Environmental Disclosure	Product Environmental Profile
WEEE	The product must be disposed on European Union markets following specific waste collection and never end up in rubbish bins
California proposition 65	WARNING: This product can expose you to chemicals including: Antimony oxide & Antimony trioxide, which is known to the State of California to cause cancer. For more information go to www.P65Warnings.ca.gov

Contractual warranty

Warranty	18 months
----------	-----------

Recommended replacement(s)

Product data sheet

Specifications



Capacitor duty contactor, TeSys Deca, 40kVAR, 400V, 50Hz, 230VAC 50/60Hz coil

LC1DTKP7

Main

Range	TeSys TeSys Deca
Product name	TeSys LC1D.K TeSys Deca
Product or component type	Capacitor duty contactor
Device short name	LC1DTK
Device application	Control
Contactors application	Power factor correction
Utilisation category	AC-6b
Poles description	3P
Power pole contact composition	3 NO
Device location in system	Inside delta interruption Line interruption
[Ue] rated operational voltage	Power circuit: 690 V AC 50/60 Hz
Reactive power rating	22 kvar at 230 V AC 50 Hz 60 °C 40 kvar at 400 V AC 50 Hz 60 °C 43 kvar at 440 V AC 50 Hz 60 °C 67 kvar at 690 V AC 50 Hz 60 °C 20 kvar at 230 V AC 60 Hz 60 °C 40 kvar at 460 V AC 60 Hz 60 °C 50 kvar at 575 V AC 60 Hz 60 °C
Control circuit type	AC at 50/60 Hz
[Uc] control circuit voltage	230 V AC 50/60 Hz
Auxiliary contact composition	1 NO + 2 NC instantaneous
Electrical durability	300000 cycles at Ue 400 V 200000 cycles at Ue 690 V
Mounting support	DIN rail Plate
Standards	EN/IEC 60947-1 EN/IEC 60947-4-1 UL 60947-4-1 CSA C22.2 No 60947-4-1 IEC 60335-1
Product certifications	IECEE CB Scheme UL CSA UKCA
Connections - terminals	Control circuit: screw clamp terminals 1 1...4 mm ² - cable stiffness: solid Control circuit: screw clamp terminals 2 1...4 mm ² - cable stiffness: solid Control circuit: screw clamp terminals 1 1...4 mm ² - cable stiffness: flexible without cable end Control circuit: screw clamp terminals 2 1...4 mm ² - cable stiffness: flexible without cable end

Disclaimer: This documentation is not intended as a substitute for and is not to be used for determining suitability or reliability of these products for specific user applications

Control circuit: screw clamp terminals 1 1...4 mm² - cable stiffness: flexible with cable end
 Control circuit: screw clamp terminals 2 1...2.5 mm² - cable stiffness: flexible with cable end
 Power circuit: EverLink BTR screw connectors 1 1...35 mm² - cable stiffness: solid
 Power circuit: EverLink BTR screw connectors 2 1...25 mm² - cable stiffness: solid
 Power circuit: EverLink BTR screw connectors 1 1...35 mm² - cable stiffness: flexible with or without cable end
 Power circuit: EverLink BTR screw connectors 2 1...25 mm² - cable stiffness: flexible with or without cable end

Tightening torque	Control circuit: 1.7 N.m - on screw clamp terminals Power circuit: 5 N.m - on EverLink BTR screw connectors - cable 1...25 mm ² Power circuit: 8 N.m - on EverLink BTR screw connectors - cable 35 mm ²
Maximum operating rate	240 cyc/h

Complementary

Auxiliary contacts type	type mechanically linked 1 NO + 2 NC conforming to IEC 60947-5-1
--------------------------------	--

Environment

IP degree of protection	IP20 front face conforming to IEC 60529
Ambient air temperature for operation	-5...60 °C
Ambient air temperature for storage	-60...80 °C
Operating altitude	0...3000 m
Height	166 mm
Width	55 mm
Depth	156 mm
Net weight	1.3 kg

Packing Units

Unit Type of Package 1	PCE
Number of Units in Package 1	1
Package 1 Height	6.8 cm
Package 1 Width	20 cm
Package 1 Length	23 cm
Package 1 Weight	1.106 kg
Unit Type of Package 2	S03
Number of Units in Package 2	6
Package 2 Height	30 cm
Package 2 Width	30 cm
Package 2 Length	40 cm
Package 2 Weight	7.217 kg
Unit Type of Package 3	P06
Number of Units in Package 3	48
Package 3 Height	75 cm
Package 3 Width	60 cm
Package 3 Length	80 cm
Package 3 Weight	66.236 kg

Offer Sustainability

Sustainable offer status	Green Premium product
---------------------------------	-----------------------

REACH Regulation	REACH Declaration
REACH free of SVHC	Yes
EU RoHS Directive	Compliant EU RoHS Declaration
Toxic heavy metal free	Yes
Mercury free	Yes
China RoHS Regulation	China RoHS declaration Pro-active China RoHS declaration (out of China RoHS legal scope)
RoHS exemption information	Yes
Environmental Disclosure	Product Environmental Profile
WEEE	The product must be disposed on European Union markets following specific waste collection and never end up in rubbish bins
California proposition 65	WARNING: This product can expose you to chemicals including: Antimony oxide & Antimony trioxide, which is known to the State of California to cause cancer. For more information go to www.P65Warnings.ca.gov

Contractual warranty

Warranty	18 months
----------	-----------

Recommended replacement(s)

Product data sheet

Specifications



Capacitor duty contactor, TeSys Deca, 40 kVAR, 400V, 50Hz, 400VAC 50/60Hz coil

LC1DTKV7

Main

Range	TeSys
Product name	TeSys LC1D.K TeSys Deca
Product or component type	Capacitor duty contactor
Device short name	LC1DTK
Device application	Control
Contactor application	Power factor correction
Utilisation category	AC-6b
Poles description	3P
Power pole contact composition	3 NO
Device location in system	Inside delta interruption Line interruption
[Ue] rated operational voltage	Power circuit: 690 V AC 50/60 Hz
Reactive power rating	22 kvar at 230 V AC 50 Hz 60 °C 40 kvar at 400 V AC 50 Hz 60 °C 43 kvar at 440 V AC 50 Hz 60 °C 67 kvar at 690 V AC 50 Hz 60 °C 20 kvar at 230 V AC 60 Hz 60 °C 40 kvar at 460 V AC 60 Hz 60 °C 50 kvar at 575 V AC 60 Hz 60 °C
Control circuit type	AC at 50/60 Hz
[Uc] control circuit voltage	400 V AC 50/60 Hz
Auxiliary contact composition	1 NO + 2 NC instantaneous
Electrical durability	300000 cycles at Ue 400 V 200000 cycles at Ue 690 V
Mounting support	DIN rail Plate
Standards	EN/IEC 60947-1 EN/IEC 60947-4-1 UL 60947-4-1 CSA C22.2 No 60947-4-1
Product certifications	IECEE CB Scheme UL CSA
Connections - terminals	Control circuit: screw clamp terminals 1 1...4 mm ² - cable stiffness: solid Control circuit: screw clamp terminals 2 1...4 mm ² - cable stiffness: solid Control circuit: screw clamp terminals 1 1...4 mm ² - cable stiffness: flexible without cable end Control circuit: screw clamp terminals 2 1...4 mm ² - cable stiffness: flexible without cable end Control circuit: screw clamp terminals 1 1...4 mm ² - cable stiffness: flexible with cable end Control circuit: screw clamp terminals 2 1...2.5 mm ² - cable stiffness: flexible with cable end Power circuit: EverLink BTR screw connectors 1 1...35 mm ² - cable stiffness: solid

Disclaimer: This documentation is not intended as a substitute for and is not to be used for determining suitability or reliability of these products for specific user applications

Power circuit: EverLink BTR screw connectors 2 1...25 mm² - cable stiffness: solid
 Power circuit: EverLink BTR screw connectors 1 1...35 mm² - cable stiffness: flexible with or without cable end
 Power circuit: EverLink BTR screw connectors 2 1...25 mm² - cable stiffness: flexible with or without cable end

Tightening torque	Control circuit: 1.7 N.m - on screw clamp terminals Power circuit: 5 N.m - on EverLink BTR screw connectors - cable 1...25 mm ² Power circuit: 8 N.m - on EverLink BTR screw connectors - cable 35 mm ²
--------------------------	---

Maximum operating rate	240 cyc/h
-------------------------------	-----------

Complementary

Auxiliary contacts type	type mechanically linked 1 NO + 2 NC conforming to IEC 60947-5-1
--------------------------------	--

Environment

IP degree of protection	IP20 front face conforming to IEC 60529
--------------------------------	---

Ambient air temperature for operation	-5...60 °C
--	------------

Ambient air temperature for storage	-60...80 °C
--	-------------

Operating altitude	0...3000 m
---------------------------	------------

Height	166 mm
---------------	--------

Width	55 mm
--------------	-------

Depth	156 mm
--------------	--------

Net weight	1.3 kg
-------------------	--------

Packing Units

Unit Type of Package 1	PCE
-------------------------------	-----

Number of Units in Package 1	1
-------------------------------------	---

Package 1 Height	7.0 cm
-------------------------	--------

Package 1 Width	20.0 cm
------------------------	---------

Package 1 Length	23.0 cm
-------------------------	---------

Package 1 Weight	1.17 kg
-------------------------	---------

Offer Sustainability

Sustainable offer status	Green Premium product
---------------------------------	-----------------------

REACH Regulation	REACH Declaration
-------------------------	-----------------------------------

REACH free of SVHC	Yes
---------------------------	-----

EU RoHS Directive	Compliant EU RoHS Declaration
--------------------------	--

Toxic heavy metal free	Yes
-------------------------------	-----

Mercury free	Yes
---------------------	-----

China RoHS Regulation	China RoHS declaration Pro-active China RoHS declaration (out of China RoHS legal scope)
------------------------------	---

RoHS exemption information	Yes
-----------------------------------	-----

Environmental Disclosure	Product Environmental Profile
---------------------------------	---

WEEE	The product must be disposed on European Union markets following specific waste collection and never end up in rubbish bins
-------------	---

California proposition 65	WARNING: This product can expose you to chemicals including: Antimony oxide & Antimony trioxide, which is known to the State of California to cause cancer. For more information go to www.P65Warnings.ca.gov
----------------------------------	---

Contractual warranty

Warranty 18 months

Recommended replacement(s)

Product data sheet

Specifications



Capacitor contactor, TeSys Deca, 63 kVAR 400V/50Hz, 24V AC coil

LC1DWK12B7

Main

Range	TeSys
Product name	TeSys LC1D.K TeSys Deca
Product or component type	Capacitor duty contactor
Device short name	LC1DWK
Device application	Control
Contactor application	Power factor correction
Utilisation category	AC-6b
Poles description	3P
Power pole contact composition	3 NO
Device location in system	Line interruption Inside delta interruption
[Ue] rated operational voltage	Power circuit: 690 V AC 50/60 Hz
Reactive power rating	35 kvar at 230 V AC 50 Hz 60 °C 63 kvar at 400 V AC 50 Hz 60 °C 67 kvar at 440 V AC 50 Hz 60 °C 104 kvar at 690 V AC 50 Hz 60 °C 30 kvar at 230 V AC 60 Hz 60 °C 60 kvar at 460 V AC 60 Hz 60 °C 80 kvar at 575 V AC 60 Hz 60 °C
Control circuit type	AC at 50/60 Hz
[Uc] control circuit voltage	24 V AC 50/60 Hz
Auxiliary contact composition	1 NO + 2 NC instantaneous
Electrical durability	300000 cycles at Ue 400 V 200000 cycles at Ue 690 V
Mounting support	DIN rail Plate
Standards	EN/IEC 60947-1 EN/IEC 60947-4-1 UL 60947-4-1 CSA C22.2 No 60947-4-1
Product certifications	IECEE CB Scheme UL CSA UKCA
Connections - terminals	Control circuit: screw clamp terminals 1 1...4 mm ² - cable stiffness: solid Control circuit: screw clamp terminals 2 1...4 mm ² - cable stiffness: solid Control circuit: screw clamp terminals 1 1...4 mm ² - cable stiffness: flexible without cable end Control circuit: screw clamp terminals 2 1...4 mm ² - cable stiffness: flexible without cable end Control circuit: screw clamp terminals 1 1...4 mm ² - cable stiffness: flexible with cable end Control circuit: screw clamp terminals 2 1...2.5 mm ² - cable stiffness: flexible with cable end

Disclaimer: This documentation is not intended as a substitute for and is not to be used for determining suitability or reliability of these products for specific user applications

Power circuit: connector 1 4...50 mm² - cable stiffness: solid
 Power circuit: connector 2 4...25 mm² - cable stiffness: solid
 Power circuit: connector 1 4...50 mm² - cable stiffness: flexible without cable end
 Power circuit: connector 2 4...25 mm² - cable stiffness: flexible without cable end
 Power circuit: connector 1 4...50 mm² - cable stiffness: flexible with cable end
 Power circuit: connector 2 4...16 mm² - cable stiffness: flexible with cable end

Tightening torque Power circuit: 9 N.m - on connector
 Control circuit: 1.7 N.m - on screw clamp terminals

Maximum operating rate 240 cyc/h

Complementary

Auxiliary contacts type type mechanically linked 1 NO + 2 NC conforming to IEC 60947-5-1

Environment

IP degree of protection IP20 front face conforming to IEC 60529

Ambient air temperature for operation -5...60 °C

Ambient air temperature for storage -60...80 °C

Operating altitude 0...3000 m

Height 180 mm

Width 85 mm

Depth 154 mm

Net weight 1.65 kg

Packing Units

Unit Type of Package 1 PCE

Number of Units in Package 1 1

Package 1 Height 13.5 cm

Package 1 Width 17.0 cm

Package 1 Length 19.0 cm

Package 1 Weight 1.75 kg

Offer Sustainability

Sustainable offer status Green Premium product

REACH Regulation [REACH Declaration](#)

REACH free of SVHC Yes

EU RoHS Directive Compliant
[EU RoHS Declaration](#)

Toxic heavy metal free Yes

Mercury free Yes

China RoHS Regulation [China RoHS declaration](#)
 Pro-active China RoHS declaration (out of China RoHS legal scope)

RoHS exemption information [Yes](#)

Environmental Disclosure [Product Environmental Profile](#)

WEEE The product must be disposed on European Union markets following specific waste collection and never end up in rubbish bins

California proposition 65 WARNING: This product can expose you to chemicals including: Lead and lead compounds, which is known to the State of California to cause cancer and birth defects or other reproductive harm. For more information go to www.P65Warnings.ca.gov

Contractual warranty

Warranty 18 months

Recommended replacement(s)

Product data sheet

Specifications



Capacitor contactor, TeSys Deca, 63 kVAR 400V/50Hz, 48V AC coil

LC1DWK12E7

Main

Range	TeSys
Product name	TeSys LC1D.K TeSys Deca
Product or component type	Capacitor duty contactor
Device short name	LC1DWK
Device application	Control
Contactor application	Power factor correction
Utilisation category	AC-6b
Poles description	3P
Power pole contact composition	3 NO
Device location in system	Line interruption Inside delta interruption
[Ue] rated operational voltage	Power circuit: 690 V AC 50/60 Hz
Reactive power rating	35 kvar at 230 V AC 50 Hz 60 °C 63 kvar at 400 V AC 50 Hz 60 °C 67 kvar at 440 V AC 50 Hz 60 °C 104 kvar at 690 V AC 50 Hz 60 °C 30 kvar at 230 V AC 60 Hz 60 °C 60 kvar at 460 V AC 60 Hz 60 °C 80 kvar at 575 V AC 60 Hz 60 °C
Control circuit type	AC at 50/60 Hz
[Uc] control circuit voltage	48 V AC 50/60 Hz
Auxiliary contact composition	1 NO + 2 NC instantaneous
Electrical durability	300000 cycles at Ue 400 V 200000 cycles at Ue 690 V
Mounting support	DIN rail Plate
Standards	EN/IEC 60947-1 EN/IEC 60947-4-1 UL 60947-4-1 CSA C22.2 No 60947-4-1
Product certifications	IECEE CB Scheme UL CSA UKCA
Connections - terminals	Control circuit: screw clamp terminals 1 1...4 mm ² - cable stiffness: solid Control circuit: screw clamp terminals 2 1...4 mm ² - cable stiffness: solid Control circuit: screw clamp terminals 1 1...4 mm ² - cable stiffness: flexible without cable end Control circuit: screw clamp terminals 2 1...4 mm ² - cable stiffness: flexible without cable end Control circuit: screw clamp terminals 1 1...4 mm ² - cable stiffness: flexible with cable end Control circuit: screw clamp terminals 2 1...2.5 mm ² - cable stiffness: flexible with cable end

Disclaimer: This documentation is not intended as a substitute for and is not to be used for determining suitability or reliability of these products for specific user applications

Power circuit: connector 1 4...50 mm² - cable stiffness: solid
 Power circuit: connector 2 4...25 mm² - cable stiffness: solid
 Power circuit: connector 1 4...50 mm² - cable stiffness: flexible without cable end
 Power circuit: connector 2 4...25 mm² - cable stiffness: flexible without cable end
 Power circuit: connector 1 4...50 mm² - cable stiffness: flexible with cable end
 Power circuit: connector 2 4...16 mm² - cable stiffness: flexible with cable end

Tightening torque Power circuit: 9 N.m - on connector
 Control circuit: 1.7 N.m - on screw clamp terminals

Maximum operating rate 240 cyc/h

Complementary

Auxiliary contacts type type mechanically linked 1 NO + 2 NC conforming to IEC 60947-5-1

Environment

IP degree of protection IP20 front face conforming to IEC 60529

Ambient air temperature for operation -5...60 °C

Ambient air temperature for storage -60...80 °C

Operating altitude 0...3000 m

Height 180 mm

Width 85 mm

Depth 154 mm

Net weight 1.65 kg

Packing Units

Unit Type of Package 1 PCE

Number of Units in Package 1 1

Package 1 Height 19.0 cm

Package 1 Width 13.0 cm

Package 1 Length 17.0 cm

Package 1 Weight 1.807 kg

Offer Sustainability

Sustainable offer status Green Premium product

REACH Regulation [REACH Declaration](#)

REACH free of SVHC Yes

EU RoHS Directive Compliant
[EU RoHS Declaration](#)

Toxic heavy metal free Yes

Mercury free Yes

China RoHS Regulation [China RoHS declaration](#)
 Pro-active China RoHS declaration (out of China RoHS legal scope)

RoHS exemption information [Yes](#)

Environmental Disclosure [Product Environmental Profile](#)

WEEE The product must be disposed on European Union markets following specific waste collection and never end up in rubbish bins

California proposition 65 WARNING: This product can expose you to chemicals including: Lead and lead compounds, which is known to the State of California to cause cancer and birth defects or other reproductive harm. For more information go to www.P65Warnings.ca.gov

Contractual warranty

Warranty 18 months

Recommended replacement(s)

Product data sheet

Specifications



Capacitor contactor, TeSys Deca, 63 kVAR at 400 V/50 Hz, coil 220 V AC 50/60 Hz

LC1DVK12M7

Main

Range	TeSys
Product name	TeSys LC1D.K TeSys Deca
Product or component type	Capacitor duty contactor
Device short name	LC1DVK
Device application	Control
Contactor application	Power factor correction
Utilisation category	AC-6b
Poles description	3P
Power pole contact composition	3 NO
[Ue] rated operational voltage	Power circuit: 690 V AC 50/60 Hz
Reactive power rating	35 kvar at 230 V AC 50 Hz 60 °C 63 kvar at 400 V AC 50 Hz 60 °C 67 kvar at 440 V AC 50 Hz 60 °C 104 kvar at 690 V AC 50 Hz 60 °C 30 kvar at 230 V AC 60 Hz 60 °C 60 kvar at 460 V AC 60 Hz 60 °C 80 kvar at 575 V AC 60 Hz 60 °C
Control circuit type	AC at 50/60 Hz
[Uc] control circuit voltage	220 V AC 50/60 Hz
Auxiliary contact composition	1 NO + 2 NC instantaneous
Electrical durability	300000 cycles at Ue 400 V 200000 cycles at Ue 690 V
Mounting support	DIN rail Plate
Standards	EN/IEC 60947-1 EN/IEC 60947-4-1 UL 60947-4-1 CSA C22.2 No 60947-4-1
Product certifications	IECEE CB Scheme UL CSA UKCA
Connections - terminals	Control circuit: screw clamp terminals 1 1...4 mm ² - cable stiffness: solid Control circuit: screw clamp terminals 2 1...4 mm ² - cable stiffness: solid Control circuit: screw clamp terminals 1 1...4 mm ² - cable stiffness: flexible without cable end Control circuit: screw clamp terminals 2 1...4 mm ² - cable stiffness: flexible without cable end Control circuit: screw clamp terminals 1 1...4 mm ² - cable stiffness: flexible with cable end Control circuit: screw clamp terminals 2 1...2.5 mm ² - cable stiffness: flexible with cable end Power circuit: connector 1 4...50 mm ² - cable stiffness: solid Power circuit: connector 2 4...25 mm ² - cable stiffness: solid Power circuit: connector 1 4...50 mm ² - cable stiffness: flexible without cable end

Disclaimer: This documentation is not intended as a substitute for and is not to be used for determining suitability or reliability of these products for specific user applications

Feb 10, 2023

Life Is On Schneider Electric

1

Power circuit: connector 2 4...25 mm² - cable stiffness: flexible without cable end
Power circuit: connector 1 4...50 mm² - cable stiffness: flexible with cable end
Power circuit: connector 2 4...16 mm² - cable stiffness: flexible with cable end

Tightening torque Power circuit: 9 N.m - on connector
Control circuit: 1.7 N.m - on screw clamp terminals

Maximum operating rate 240 cyc/h

Complementary

Auxiliary contacts type type mechanically linked 1 NO + 2 NC conforming to IEC 60947-5-1

Environment

IP degree of protection IP20 front face conforming to IEC 60529

Ambient air temperature for operation -5...60 °C

Ambient air temperature for storage -60...80 °C

Operating altitude 0...3000 m

Height 180 mm

Width 85 mm

Depth 154 mm

Net weight 1.65 kg

Packing Units

Unit Type of Package 1 PCE

Number of Units in Package 1 1

Package 1 Height 13 cm

Package 1 Width 17 cm

Package 1 Length 19 cm

Package 1 Weight 1.786 kg

Unit Type of Package 2 P06

Number of Units in Package 2 48

Package 2 Height 75 cm

Package 2 Width 80 cm

Package 2 Length 60 cm

Package 2 Weight 93.728 kg

Offer Sustainability

Sustainable offer status Green Premium product

REACH Regulation [REACH Declaration](#)

REACH free of SVHC Yes

EU RoHS Directive Compliant
EU RoHS Declaration

Toxic heavy metal free Yes

Mercury free Yes

China RoHS Regulation China RoHS declaration
Pro-active China RoHS declaration (out of China RoHS legal scope)

RoHS exemption information Yes

Environmental Disclosure [Product Environmental Profile](#)

WEEE

The product must be disposed on European Union markets following specific waste collection and never end up in rubbish bins

California proposition 65

WARNING: This product can expose you to chemicals including: Lead and lead compounds, which is known to the State of California to cause cancer and birth defects or other reproductive harm. For more information go to www.P65Warnings.ca.gov

Contractual warranty

Warranty

18 months

Recommended replacement(s)

Product data sheet

Specifications



Capacitor contactor, TeSys Deca, 63 kVAR 400V/50Hz, 380V AC coil

LC1DWK12Q7

Main

Range	TeSys
Product name	TeSys LC1D.K TeSys Deca
Product or component type	Capacitor duty contactor
Device short name	LC1DWK
Device application	Control
Contactor application	Power factor correction
Utilisation category	AC-6b
Poles description	3P
Power pole contact composition	3 NO
[Ue] rated operational voltage	Power circuit: 690 V AC 50/60 Hz
Reactive power rating	35 kvar at 230 V AC 50 Hz 60 °C 63 kvar at 400 V AC 50 Hz 60 °C 67 kvar at 440 V AC 50 Hz 60 °C 104 kvar at 690 V AC 50 Hz 60 °C 30 kvar at 230 V AC 60 Hz 60 °C 60 kvar at 460 V AC 60 Hz 60 °C 80 kvar at 575 V AC 60 Hz 60 °C
Control circuit type	AC at 50/60 Hz
[Uc] control circuit voltage	380 V AC 50/60 Hz
Auxiliary contact composition	1 NO + 2 NC instantaneous
Electrical durability	300000 cycles at Ue 400 V 200000 cycles at Ue 690 V
Mounting support	DIN rail Plate
Standards	EN/IEC 60947-1 EN/IEC 60947-4-1 UL 60947-4-1 CSA C22.2 No 60947-4-1
Product certifications	IECEE CB Scheme UL CSA UKCA
Connections - terminals	Control circuit: screw clamp terminals 1 1...4 mm ² - cable stiffness: solid Control circuit: screw clamp terminals 2 1...4 mm ² - cable stiffness: solid Control circuit: screw clamp terminals 1 1...4 mm ² - cable stiffness: flexible without cable end Control circuit: screw clamp terminals 2 1...4 mm ² - cable stiffness: flexible without cable end Control circuit: screw clamp terminals 1 1...4 mm ² - cable stiffness: flexible with cable end Control circuit: screw clamp terminals 2 1...2.5 mm ² - cable stiffness: flexible with cable end Power circuit: connector 1 4...50 mm ² - cable stiffness: solid Power circuit: connector 2 4...25 mm ² - cable stiffness: solid Power circuit: connector 1 4...50 mm ² - cable stiffness: flexible without cable end

Disclaimer: This documentation is not intended as a substitute for and is not to be used for determining suitability or reliability of these products for specific user applications

Feb 13, 2023

Life Is On Schneider Electric

1

Power circuit: connector 2 4...25 mm² - cable stiffness: flexible without cable end
Power circuit: connector 1 4...50 mm² - cable stiffness: flexible with cable end
Power circuit: connector 2 4...16 mm² - cable stiffness: flexible with cable end

Tightening torque Power circuit: 9 N.m - on connector
Control circuit: 1.7 N.m - on screw clamp terminals

Maximum operating rate 240 cyc/h

Complementary

Auxiliary contacts type type mechanically linked 1 NO + 2 NC conforming to IEC 60947-5-1

Environment

IP degree of protection IP20 front face conforming to IEC 60529

Ambient air temperature for operation -5...60 °C

Ambient air temperature for storage -60...80 °C

Operating altitude 0...3000 m

Height 180 mm

Width 85 mm

Depth 154 mm

Net weight 1.65 kg

Packing Units

Unit Type of Package 1 PCE

Number of Units in Package 1 1

Package 1 Height 19.0 cm

Package 1 Width 13.5 cm

Package 1 Length 17.0 cm

Package 1 Weight 1.8 kg

Offer Sustainability

Sustainable offer status Green Premium product

REACH Regulation [REACH Declaration](#)

REACH free of SVHC Yes

EU RoHS Directive Compliant
[EU RoHS Declaration](#)

Toxic heavy metal free Yes

Mercury free Yes

China RoHS Regulation [China RoHS declaration](#)
Pro-active China RoHS declaration (out of China RoHS legal scope)

RoHS exemption information [Yes](#)

Environmental Disclosure [Product Environmental Profile](#)

WEEE The product must be disposed on European Union markets following specific waste collection and never end up in rubbish bins

California proposition 65 WARNING: This product can expose you to chemicals including: Lead and lead compounds, which is known to the State of California to cause cancer and birth defects or other reproductive harm. For more information go to www.P65Warnings.ca.gov

Contractual warranty

Warranty 18 months

Recommended replacement(s)

Product data sheet

Specifications



Capacitor contactor, TeSys Deca, 63 kVAR 400V/50Hz, 240V AC coil

LC1DWK12U7

Main

Range	TeSys
Product name	TeSys LC1D.K TeSys Deca
Product or component type	Capacitor duty contactor
Device short name	LC1DWK
Device application	Control
Contactor application	Power factor correction
Utilisation category	AC-6b
Poles description	3P
Power pole contact composition	3 NO
Device location in system	Inside delta interruption Line interruption
[Ue] rated operational voltage	Power circuit: 690 V AC 50/60 Hz
Reactive power rating	35 kvar at 230 V AC 50 Hz 60 °C 63 kvar at 400 V AC 50 Hz 60 °C 67 kvar at 440 V AC 50 Hz 60 °C 104 kvar at 690 V AC 50 Hz 60 °C 30 kvar at 230 V AC 60 Hz 60 °C 60 kvar at 460 V AC 60 Hz 60 °C 80 kvar at 575 V AC 60 Hz 60 °C
Control circuit type	AC at 50/60 Hz
[Uc] control circuit voltage	240 V AC 50/60 Hz
Auxiliary contact composition	1 NO + 2 NC instantaneous
Electrical durability	300000 cycles at Ue 400 V 200000 cycles at Ue 690 V
Mounting support	DIN rail Plate
Standards	EN/IEC 60947-1 EN/IEC 60947-4-1 UL 60947-4-1 CSA C22.2 No 60947-4-1
Product certifications	IECEE CB Scheme UL CSA UKCA
Connections - terminals	Control circuit: screw clamp terminals 1 1...4 mm ² - cable stiffness: solid Control circuit: screw clamp terminals 2 1...4 mm ² - cable stiffness: solid Control circuit: screw clamp terminals 1 1...4 mm ² - cable stiffness: flexible without cable end Control circuit: screw clamp terminals 2 1...4 mm ² - cable stiffness: flexible without cable end Control circuit: screw clamp terminals 1 1...4 mm ² - cable stiffness: flexible with cable end Control circuit: screw clamp terminals 2 1...2.5 mm ² - cable stiffness: flexible with cable end

Disclaimer: This documentation is not intended as a substitute for and is not to be used for determining suitability or reliability of these products for specific user applications

Feb 10, 2023

Life Is On | Schneider Electric

1

Power circuit: connector 1 4...50 mm² - cable stiffness: solid
 Power circuit: connector 2 4...25 mm² - cable stiffness: solid
 Power circuit: connector 1 4...50 mm² - cable stiffness: flexible without cable end
 Power circuit: connector 2 4...25 mm² - cable stiffness: flexible without cable end
 Power circuit: connector 1 4...50 mm² - cable stiffness: flexible with cable end
 Power circuit: connector 2 4...16 mm² - cable stiffness: flexible with cable end

Tightening torque Power circuit: 9 N.m - on connector
 Control circuit: 1.7 N.m - on screw clamp terminals

Maximum operating rate 240 cyc/h

Complementary

Auxiliary contacts type type mechanically linked 1 NO + 2 NC conforming to IEC 60947-5-1

Environment

IP degree of protection IP20 front face conforming to IEC 60529

Ambient air temperature for operation -5...60 °C

Ambient air temperature for storage -60...80 °C

Operating altitude 0...3000 m

Height 180 mm

Width 85 mm

Depth 154 mm

Net weight 1.65 kg

Packing Units

Unit Type of Package 1 PCE

Number of Units in Package 1 1

Offer Sustainability

Sustainable offer status Green Premium product

REACH Regulation [REACH Declaration](#)

REACH free of SVHC Yes

EU RoHS Directive Compliant
[EU RoHS Declaration](#)

Toxic heavy metal free Yes

Mercury free Yes

China RoHS Regulation [China RoHS declaration](#)
 Pro-active China RoHS declaration (out of China RoHS legal scope)

RoHS exemption information Yes

Environmental Disclosure [Product Environmental Profile](#)

WEEE The product must be disposed on European Union markets following specific waste collection and never end up in rubbish bins

California proposition 65 WARNING: This product can expose you to chemicals including: Lead and lead compounds, which is known to the State of California to cause cancer and birth defects or other reproductive harm. For more information go to www.P65Warnings.ca.gov

Contractual warranty

Warranty 18 months

Recommended replacement(s)

Product data sheet

Specifications



Capacitor contactor, TeSys Deca, 63 kVAR 400V/50Hz, 400V AC coil

LC1DVK12V7

Main

Range	TeSys
Product name	TeSys LC1D.K TeSys Deca
Product or component type	Capacitor duty contactor
Device short name	LC1DVK
Device application	Control
Contactor application	Power factor correction
Utilisation category	AC-6b
Poles description	3P
Power pole contact composition	3 NO
Device location in system	Line interruption Inside delta interruption
[Ue] rated operational voltage	Power circuit: 690 V AC 50/60 Hz
Reactive power rating	35 kvar at 230 V AC 50 Hz 60 °C 63 kvar at 400 V AC 50 Hz 60 °C 67 kvar at 440 V AC 50 Hz 60 °C 104 kvar at 690 V AC 50 Hz 60 °C 30 kvar at 230 V AC 60 Hz 60 °C 60 kvar at 460 V AC 60 Hz 60 °C 80 kvar at 575 V AC 60 Hz 60 °C
Control circuit type	AC at 50/60 Hz
[Uc] control circuit voltage	400 V AC 50/60 Hz
Auxiliary contact composition	1 NO + 2 NC instantaneous
Electrical durability	300000 cycles at Ue 400 V 200000 cycles at Ue 690 V
Mounting support	DIN rail Plate
Standards	EN/IEC 60947-1 EN/IEC 60947-4-1 UL 60947-4-1 CSA C22.2 No 60947-4-1
Product certifications	IECEE CB Scheme UL CSA UKCA
Connections - terminals	Control circuit: screw clamp terminals 1 1...4 mm ² - cable stiffness: solid Control circuit: screw clamp terminals 2 1...4 mm ² - cable stiffness: solid Control circuit: screw clamp terminals 1 1...4 mm ² - cable stiffness: flexible without cable end Control circuit: screw clamp terminals 2 1...4 mm ² - cable stiffness: flexible without cable end Control circuit: screw clamp terminals 1 1...4 mm ² - cable stiffness: flexible with cable end Control circuit: screw clamp terminals 2 1...2.5 mm ² - cable stiffness: flexible with cable end

Disclaimer: This documentation is not intended as a substitute for and is not to be used for determining suitability or reliability of these products for specific user applications

Power circuit: connector 1 4...50 mm² - cable stiffness: solid
 Power circuit: connector 2 4...25 mm² - cable stiffness: solid
 Power circuit: connector 1 4...50 mm² - cable stiffness: flexible without cable end
 Power circuit: connector 2 4...25 mm² - cable stiffness: flexible without cable end
 Power circuit: connector 1 4...50 mm² - cable stiffness: flexible with cable end
 Power circuit: connector 2 4...16 mm² - cable stiffness: flexible with cable end

Tightening torque Power circuit: 9 N.m - on connector
 Control circuit: 1.7 N.m - on screw clamp terminals

Maximum operating rate 240 cyc/h

Complementary

Auxiliary contacts type type mechanically linked 1 NO + 2 NC conforming to IEC 60947-5-1

Environment

IP degree of protection IP20 front face conforming to IEC 60529

Ambient air temperature for operation -5...60 °C

Ambient air temperature for storage -60...80 °C

Operating altitude 0...3000 m

Height 180 mm

Width 85 mm

Depth 154 mm

Net weight 1.65 kg

Packing Units

Unit Type of Package 1 PCE

Number of Units in Package 1 1

Package 1 Height 21.0 cm

Package 1 Width 11.5 cm

Package 1 Length 12.0 cm

Package 1 Weight 1.44 kg

Unit Type of Package 2 S03

Number of Units in Package 2 4

Package 2 Height 30.0 cm

Package 2 Width 30.0 cm

Package 2 Length 40.0 cm

Package 2 Weight 7.937 kg

Offer Sustainability

Sustainable offer status Green Premium product

REACH Regulation [REACH Declaration](#)

REACH free of SVHC Yes

EU RoHS Directive Compliant
[EU RoHS Declaration](#)

Toxic heavy metal free Yes

Mercury free Yes

China RoHS Regulation [China RoHS declaration](#)
 Pro-active China RoHS declaration (out of China RoHS legal scope)

RoHS exemption information	Yes
Environmental Disclosure	Product Environmental Profile
WEEE	The product must be disposed on European Union markets following specific waste collection and never end up in rubbish bins
California proposition 65	WARNING: This product can expose you to chemicals including: Lead and lead compounds, which is known to the State of California to cause cancer and birth defects or other reproductive harm. For more information go to www.P65Warnings.ca.gov

Contractual warranty

Warranty	18 months
----------	-----------

Recommended replacement(s)

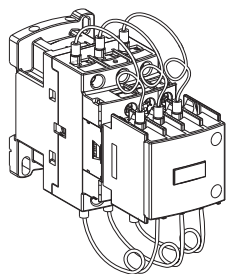


S1A3775-08

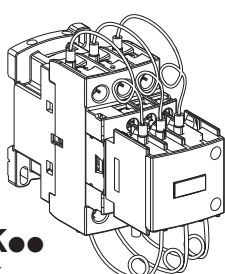
LC1D●K●●

se.com / contact

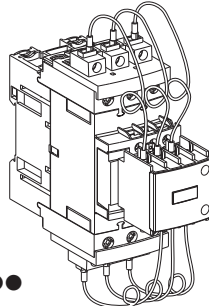
Capacitor contactor Contattore condensatore	Contacteur de concentrateur Contactor do condensador	Contactor condensador 电容接触器	Kondensatorschütz Контактор конденсатора
--	---	--------------------------------	---



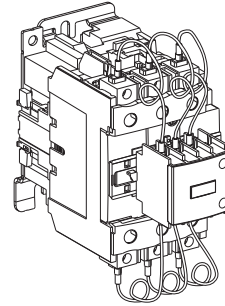
LC1DFK●●



LC1DGK●●
LC1DLK●●
LC1DMK●●



LC1DPK●●
LC1DTK●●



LC1DWK●●

PROTECTION PER FUSE



Step power at 400V(kVAR)	400V step current(Amps)	Fuse protection rating (curve gG)	Contactor for capacitor application	Qmax 400V ≤ 60 °C
2,5	3,6	6,3A	LC1DFK●●	-
5	7,2	16A	LC1DFK●●	-
6,25	9,0	16A	LC1DFK●●	-
7,5	10,8	20A	LC1DFK●●	-
12,5	14,4	25A	LC1DFK●●	-
12,5	18,0	32A	LC1DGK●●	13kVAR
16,7	21,7	40A	LC1DGK●●	16kVAR
20	28,9	50A	LC1DLK●●	20kVAR
25	36,1	63A	LC1DMK●●	25kVAR
30	43,3	80A	LC1DPK●●	30kVAR
40	57,7	100A	LC1DTK●●	40kVAR
45	65,0	125A	LC1DWK●●	-
50	72,2	125A	LC1DWK●●	-
60	86,6	162A	LC1DWK12●●	63kVAR

⚠️ DANGER / DANGER / PELIGRO / GEFAHR / PERICOLO / PERIGO / 危險 / ОПАСНОСТЬ

HAZARD OF ELECTRIC SHOCK, EXPLOSION, OR ARC FLASH

- Disconnect all power before servicing equipment.
- Ensure the tightening torque corresponds to the value specified.
- Take care to supply the contactor strictly in the range of voltage specified and to control it regularly. A non-conform supply could lead to premature deterioration of the resistive wires, even their destruction and, therefore, the end of the life of the product.
- Retighten the contactor terminals after the first month of operation, then once a year thereafter.
- Handle the resistance wires with care to avoid breaking them at the tightened terminals and damaging the sheath.

Failure to follow these instructions will result in death or serious injury.

RISQUE D'ÉLECTROCUTION, D'EXPLOSION OU D'ECLAIR D'ARC ELECTRIQUE

- Coupez toutes les alimentations avant de travailler sur cet appareil.
- Respectez le couple de serrage des bornes tel que spécifié.
- Veillez à alimenter le contacteur strictement dans les plages de tension prévues sur le produit et à contrôler régulièrement cette alimentation. Toute alimentation non-conforme peut entraîner une dégradation des fils résistifs voire leur destruction et, par conséquent, la fin de vie de produit.
- Resserrez les bornes après le premier mois de fonctionnement des contacteurs, puis une fois par an.
- Maniez les fils des résistances avec précaution pour éviter des amorces de rupture au niveau des cosses serties et ne pas endommager l'isolant.

Si ces directives ne sont pas respectées, cela entraînera la mort ou des blessures graves.

PELIGRO DE DESCARGA ELÉCTRICA, EXPLOSIÓN O ARCO ELECTRICO

- Desconecte todas las alimentaciones antes de manipular el producto.
- Asegúrese de que el par de apriete corresponde al valor especificado.
- Procure alimentar el contactor rigurosamente con el rango de tensión especificado y controlarlo de forma regular. Si la tensión no es la adecuada se puede provocar el deterioro prematuro de los cables resistivos e incluso su destrucción, y, por lo tanto, que la vida útil del producto finalice.
- Vuelva a apretar los terminales del contactor tras el primer mes de funcionamiento, y una vez al año a partir de entonces.
- Manipule los cables de resistencia con cuidado para evitar romperlos por las terminales apretadas y dañar la funda.

El incumplimiento de estas instrucciones podrá causar la muerte o lesiones serias.

GEFAHR VON ELEKTRISCHEM SCHLAG, EXPLOSION ODER LICHTBOGEN

- Vor dem Arbeiten am Gerät alle Spannungsversorgungen abschalten.
- Sicherstellen, dass das Anzugsmoment dem angegebenen Wert entspricht.
- TDarauf achten, dass die Versorgung des Schütz ausschließlich im vorgeschriebenen Spannungsbereich erfolgt. Regelmäßig kontrollieren. Eine nicht-konforme Versorgung kann zu vorzeitigem Verschleiß oder gar der Zerstörung der widerstandsbehafteten Drähte führen und damit das Ende der Funktionsfähigkeit des Produkts zur Folge haben.
- Klemmen nach einmonatigem Betrieb der Schütze erneut anziehen, dann einmal jährlich.
- Widerstandsdrähte vorsichtig handhaben, um zu vermeiden, dass sie an den angezogenen Klemmen brechen und die Ummantelung beschädigt wird.

Die Nichtbeachtung dieser Anweisungen führt zu Tod oder schweren Verletzungen.

RISCHIO DI SCARICA ELETTRICA, ESPLOSIONE O ARCO ELETTRICO

- Scollegare l'apparecchio da tutti i circuiti di alimentazione prima di qualsiasi intervento.
- Verificare che la coppia di serraggio corrisponda al valore specificato.
- Alimentare il contattore esclusivamente nel campo di tensioni specificato e controllare regolarmente.
- Un'alimentazione non conforme potrebbe determinare un deterioramento precoce dei cavi resistivi, fino alla loro distruzione e quindi provocare il termine della vita utile del prodotto.
- Riserrare i morsetti del contattore dopo il primo mese di utilizzo e quindi una volta all'anno.
- Maneggiare i cavi della resistenza con attenzione per non romperli nei morsetti di fissaggio e danneggiare la guaina.

Il mancato rispetto di queste istruzioni provocherà morte o gravi infortuni.

RISCO DE ELECTROCUSSÃO, DE EXPLOSÃO, OU DE ARCO ELÉCTRICO

- Desconecte todas as alimentações antes de manipular o produto.
- Garanta que o torque de aperto corresponde ao valor especificado.
- Forneça energia ao contator rigorosamente no intervalo de voltagem especificado e controle-o regularmente. Um fornecimento de energia não conforme pode levar ao desgaste prematuro dos fios resistivos, ou até mesmo à sua destruição e, por isso, ao fim da vida útil do produto.
- Volte a apertar os terminais do contactor após o primeiro mês de funcionamento e, a partir daí, uma vez por ano.
- Manuseie os fios resistivos com cuidado para evitar parti-los nos terminais apertados e danificar a bainha.

A não observância destas instruções resultará em morte, ou ferimentos graves.

电击、爆炸或弧闪的危险

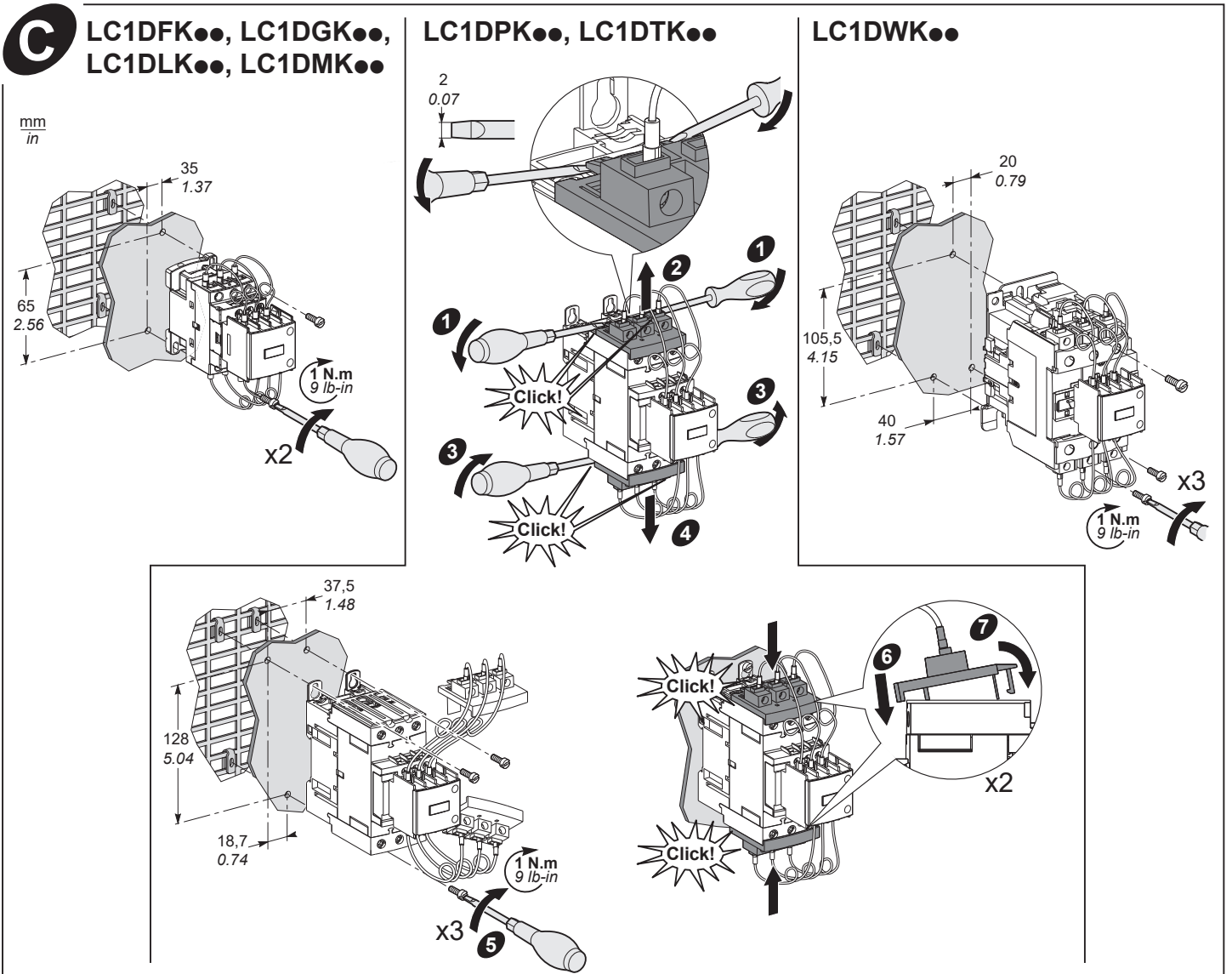
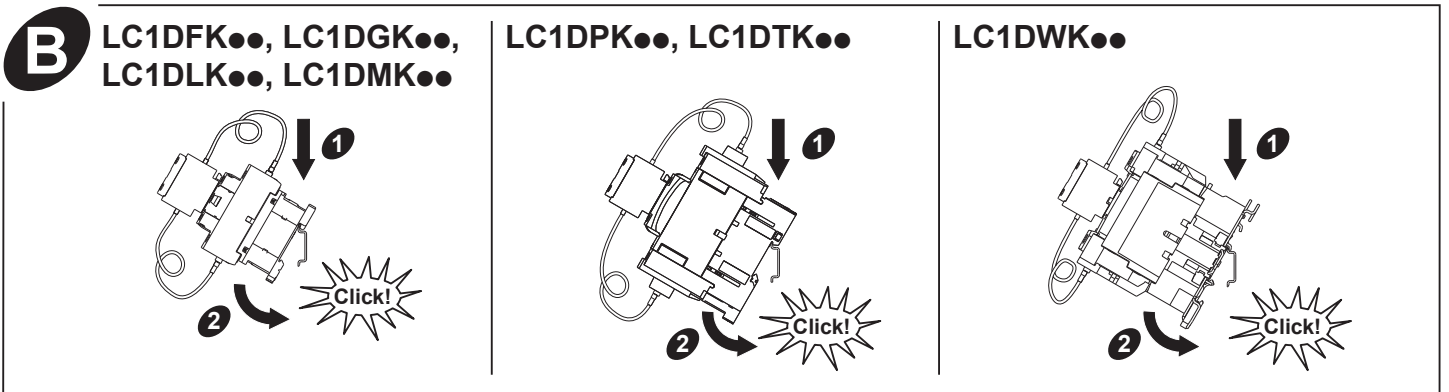
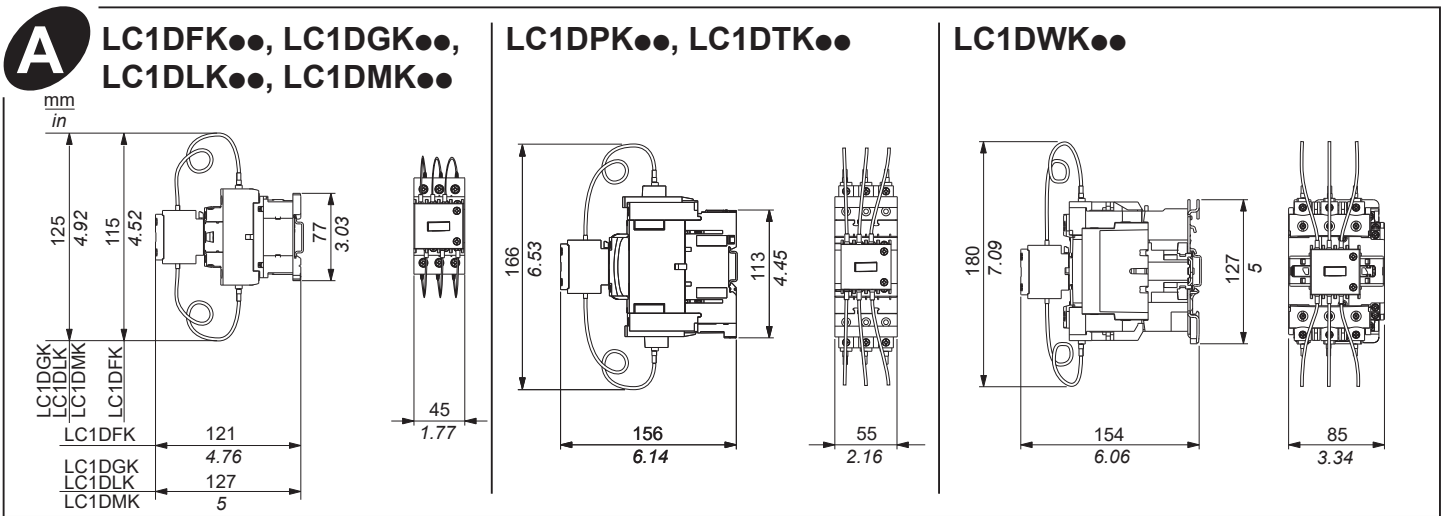
- 在此电力设备上工作时请先切断所有电源
- 确保拧紧扭矩与指定值对应。
- 务必严格按照指定的电压范围为接触器供电并定期进行监管。不合格的供电会导致电阻丝提前老化，甚至损坏，从而导致产品寿命终止。
- 运行一个月之后，需要重新拧紧接触器端子，此后需每年重新拧紧一次。
- 处理电阻丝时请务必小心，避免在拧紧的端子上将其折断并破坏护套。

不遵循上述说明将导致人员伤亡。

Опасность поражением электрическим током, опасность взрыва или вспышки дуги

- Перед обслуживанием или ремонтом убедитесь, что питание отключено.
- Убедитесь, что момент затяжки соответствует указанному значению.
- Обеспечьте, чтобы напряжение, подаваемое на контактор, не выходило за пределы указанного диапазона, и регулярно его контролируйте. Подача напряжения с несоблюдением характеристик может привести к неисправному ухудшению свойств проводов высокого сопротивления или даже их разрушению, из-за чего изделие нельзя будет больше использовать.
- По истечении первого месяца эксплуатации затяните клеммы замыкателя. Эту операцию затем необходимо регулярно выполнять один раз в год.
- Обращайтесь с проводами высокого сопротивления осторожно, чтобы не порвать их возле затянутых клемм и не повредить оболочку.

Несоблюдение этих инструкций приведет к смерти или серьезной травме.

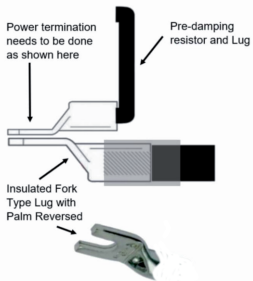
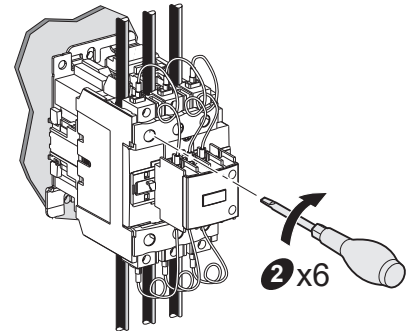
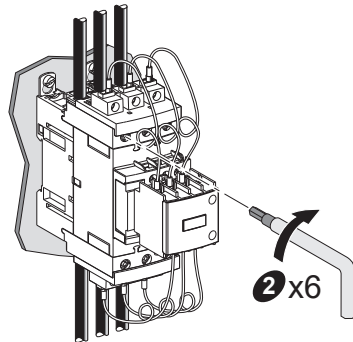
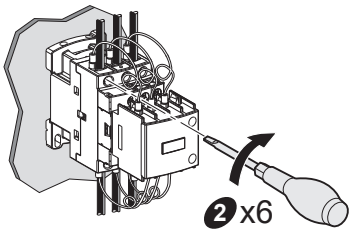
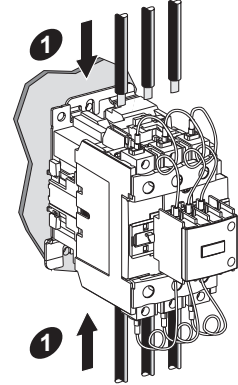
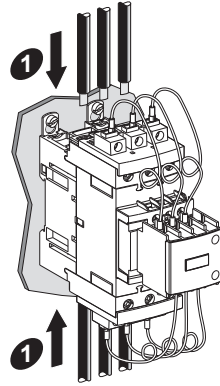
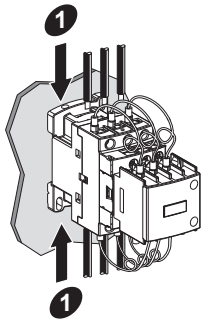


D

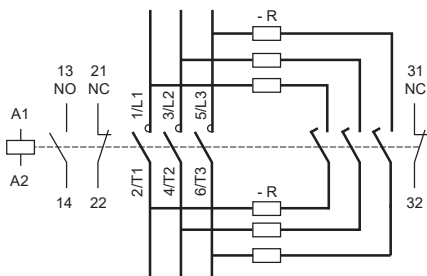
LC1DFK●●, LC1DGK●●,
LC1DLK●●, LC1DMK●●

LC1DPK●●, LC1DTK●●

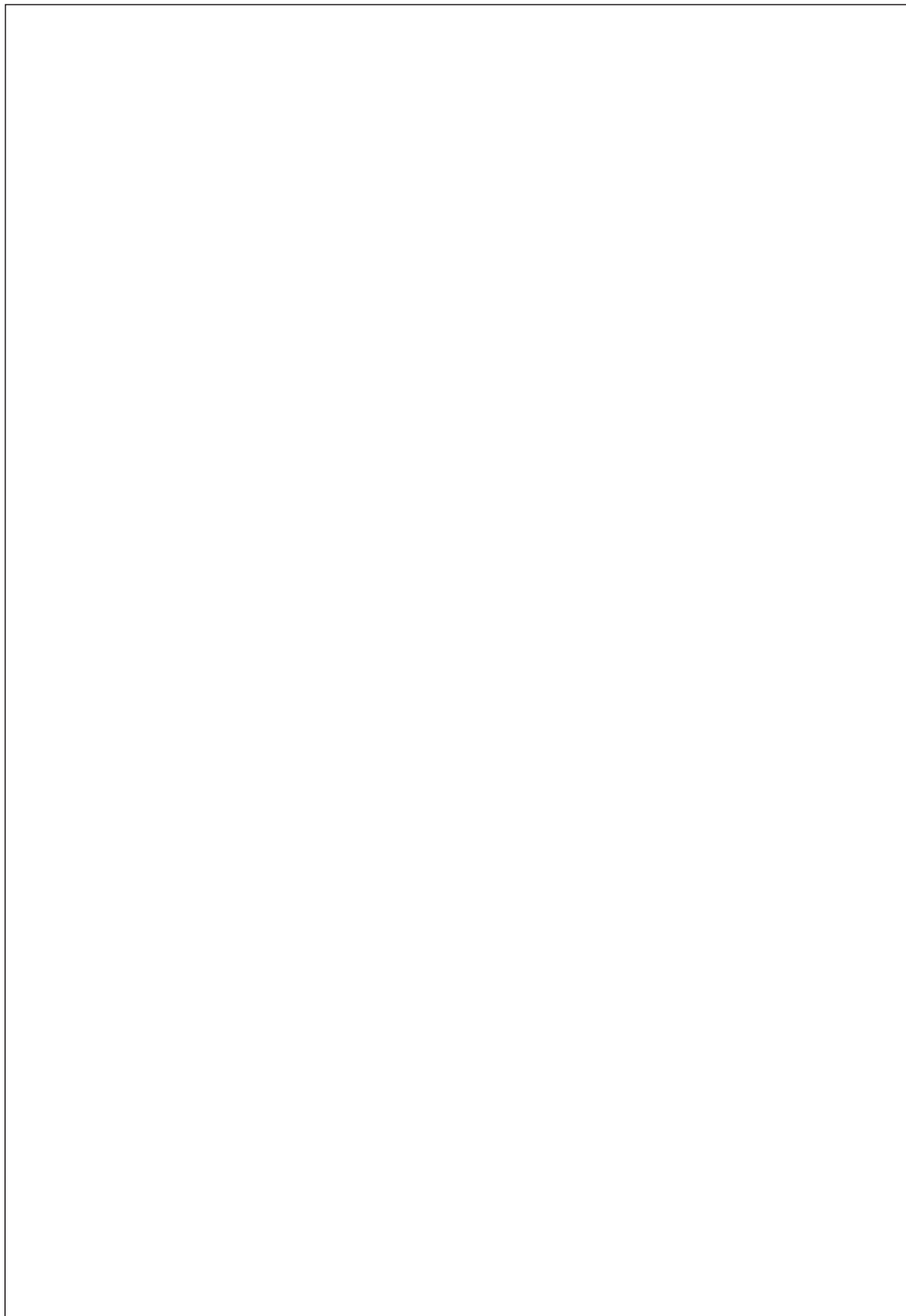
LC1DWK●●



L1/L2/L3 T1/T2/T3	Terminal Types						BOOT Lug to be used		⊕ PH2/PZ2	⊖ 4	⊖ 6...8/⊖ 4
LC1DFK	10 mm	1,5...6 mm ²	1,5...6 mm ² + 1,5...4 mm ²	1,5...6 mm ²	1,5...6 mm ² + 1,5...6 mm ²	1,5...6 mm ²	1...6 mm ²	1...6 mm ² + 1...4 mm ²	1,7 N.m	-	-
LC1DGK LC1DLK LC1DMK	10 mm	2,5...10 mm ²	2,5...10 mm ² + 2,5...6 mm ²	1,5...10 mm ²	1,5...10 mm ² + 1,5...6 mm ²	1,5...10 mm ²	1...10 mm ²	1...10 mm ² + 1...4 mm ²	2,5 N.m	-	-
LC1DPK LC1DTK	20 mm	1...25 mm ²	1...25 mm ²	1...25 mm ²	1...25 mm ²	1...25 mm ²	1...25 mm ²	1...25 mm ²	-	5 N.m	-
		35 mm ²	1 x 1...25 mm ² + 1 x 35 mm ²	35 mm ²	1 x 1...25 mm ² + 1 x 35 mm ²	35 mm ²	35 mm ²	1 x 1...25 mm ² + 1 x 35 mm ²	-	8 N.m	-
LC1DWK	20 mm	4...50 mm ²	4...25 mm ²	4...50 mm ²	4...25 mm ²	4...50 mm ²	4...50 mm ²	4...16 mm ²	-	-	12 N.m



A1/A2 13/14 21/22 31/32	Terminal Types						BOOT Lug to be used		⊕	
LC1DFK LC1DGK LC1DLK LC1DMK	8 mm	1...4 mm ²	1...4 mm ²	1...4 mm ²	1...4 mm ²	1...4 mm ²	1...2,5 mm ²	1,7 N.m	PH2/PZ2	
LC1DPK LC1DTK	10 mm	1...4 mm ²	1...4 mm ²	1...4 mm ²	1...4 mm ²	1...4 mm ²	1...2,5 mm ²	1,7 N.m	PH2/PZ2	
LC1DWK	10 mm	1...4 mm ²	1...4 mm ²	1...4 mm ²	1...4 mm ²	1...4 mm ²	1...2,5 mm ²	1...2,5 mm ²	1,7 N.m	PH2/PZ2



Product data sheet

Specifications



Capacitor duty contactor, TeSys Deca, 12.5kVAR, 400V, 50Hz, 24VAC 50/60Hz coil

LC1DFKB7

Main

Range	TeSys TeSys Deca
Product name	TeSys LC1D.K TeSys Deca
Product or component type	Capacitor duty contactor
Device short name	LC1DFK
Device application	Control
Contactors application	Power factor correction
Utilisation category	AC-6b
Poles description	3P
Power pole contact composition	3 NO
[Ue] rated operational voltage	Power circuit: 690 V AC 50/60 Hz
Reactive power rating	7 kvar at 230 V AC 50 Hz 60 °C 12.5 kvar at 400 V AC 50 Hz 60 °C 13 kvar at 440 V AC 50 Hz 60 °C 21 kvar at 690 V AC 50 Hz 60 °C
Control circuit type	AC at 50/60 Hz
[Uc] control circuit voltage	24 V AC 50/60 Hz
Auxiliary contact composition	1 NO + 2 NC instantaneous
Electrical durability	300000 cycles at Ue 400 V 200000 cycles at Ue 690 V
Mounting support	DIN rail Plate
Standards	EN/IEC 60947-1 EN/IEC 60947-4-1 IEC 60335-1
Product certifications	IECEE CB Scheme UKCA
Connections - terminals	Control circuit: screw clamp terminals 1 1...4 mm ² - cable stiffness: solid Control circuit: screw clamp terminals 2 1...4 mm ² - cable stiffness: solid Control circuit: screw clamp terminals 1 1...4 mm ² - cable stiffness: flexible without cable end Control circuit: screw clamp terminals 2 1...4 mm ² - cable stiffness: flexible without cable end Control circuit: screw clamp terminals 1 1...4 mm ² - cable stiffness: flexible with cable end Control circuit: screw clamp terminals 2 1...2.5 mm ² - cable stiffness: flexible with cable end Power circuit: screw clamp terminals 1 1.5...6 mm ² - cable stiffness: solid Power circuit: screw clamp terminals 2 1.5...4 mm ² - cable stiffness: solid Power circuit: screw clamp terminals 1 1.5...6 mm ² - cable stiffness: flexible without cable end Power circuit: screw clamp terminals 2 1.5...6 mm ² - cable stiffness: flexible without cable end Power circuit: screw clamp terminals 1 1.5...6 mm ² - cable stiffness: flexible with cable end Power circuit: screw clamp terminals 2 1.5...4 mm ² - cable stiffness: flexible with cable end
Tightening torque	Control circuit: 1.7 N.m - on screw clamp terminals

Disclaimer: This documentation is not intended as a substitute for and is not to be used for determining suitability or reliability of these products for specific user applications

Power circuit: 1.7 N.m - on screw clamp terminals

Maximum operating rate 240 cyc/h

Complementary

Auxiliary contacts type type mechanically linked 1 NO + 2 NC conforming to IEC 60947-5-1

Environment

IP degree of protection IP20 front face conforming to IEC 60529

Ambient air temperature for operation -5...60 °C

Ambient air temperature for storage -60...80 °C

Operating altitude 0...3000 m

Height 115 mm

Width 45 mm

Depth 121 mm

Net weight 0.53 kg

Packing Units

Unit Type of Package 1 PCE

Number of Units in Package 1 1

Package 1 Height 6.6 cm

Package 1 Width 19.3 cm

Package 1 Length 22.5 cm

Package 1 Weight 542.0 g

Unit Type of Package 2 S03

Number of Units in Package 2 6

Package 2 Height 30.0 cm

Package 2 Width 30.0 cm

Package 2 Length 40.0 cm

Package 2 Weight 4.04 kg

Offer Sustainability

Sustainable offer status Green Premium product

REACH Regulation [REACH Declaration](#)

REACH free of SVHC Yes

EU RoHS Directive Compliant
[EU RoHS Declaration](#)

Toxic heavy metal free Yes

Mercury free Yes

China RoHS Regulation [China RoHS declaration](#)
Pro-active China RoHS declaration (out of China RoHS legal scope)

RoHS exemption information [Yes](#)

Environmental Disclosure [Product Environmental Profile](#)

WEEE The product must be disposed on European Union markets following specific waste collection and never end up in rubbish bins

California proposition 65

WARNING: This product can expose you to chemicals including: Lead and lead compounds, which is known to the State of California to cause cancer and birth defects or other reproductive harm. For more information go to www.P65Warnings.ca.gov

Contractual warranty

Warranty 18 months

Recommended replacement(s)

Product data sheet

Specifications



Capacitor duty contactor, TeSys Deca, 12.5kVAR, 400V, 50Hz, 220VAC 50/60Hz coil

LC1DFKM7

Main

Range	TeSys TeSys Deca
Product name	TeSys LC1D.K TeSys Deca
Product or component type	Capacitor duty contactor
Device short name	LC1DFK
Device application	Control
Contactors application	Power factor correction
Utilisation category	AC-6b
Poles description	3P
Power pole contact composition	3 NO
[Ue] rated operational voltage	Power circuit: 690 V AC 50/60 Hz
Reactive power rating	7 kvar at 230 V AC 50 Hz 60 °C 12.5 kvar at 400 V AC 50 Hz 60 °C 13 kvar at 440 V AC 50 Hz 60 °C 21 kvar at 690 V AC 50 Hz 60 °C
Control circuit type	AC at 50/60 Hz
[Uc] control circuit voltage	220 V AC 50/60 Hz
Auxiliary contact composition	1 NO + 2 NC instantaneous
Electrical durability	300000 cycles at Ue 400 V 200000 cycles at Ue 690 V
Mounting support	DIN rail Plate
Standards	EN/IEC 60947-1 EN/IEC 60947-4-1 IEC 60335-1
Product certifications	IECEE CB Scheme UKCA
Connections - terminals	Control circuit: screw clamp terminals 1 1...4 mm ² - cable stiffness: solid Control circuit: screw clamp terminals 2 1...4 mm ² - cable stiffness: solid Control circuit: screw clamp terminals 1 1...4 mm ² - cable stiffness: flexible without cable end Control circuit: screw clamp terminals 2 1...4 mm ² - cable stiffness: flexible without cable end Control circuit: screw clamp terminals 1 1...4 mm ² - cable stiffness: flexible with cable end Control circuit: screw clamp terminals 2 1...2.5 mm ² - cable stiffness: flexible with cable end Power circuit: screw clamp terminals 1 1.5...6 mm ² - cable stiffness: solid Power circuit: screw clamp terminals 2 1.5...4 mm ² - cable stiffness: solid Power circuit: screw clamp terminals 1 1.5...6 mm ² - cable stiffness: flexible without cable end Power circuit: screw clamp terminals 2 1.5...6 mm ² - cable stiffness: flexible without cable end Power circuit: screw clamp terminals 1 1.5...6 mm ² - cable stiffness: flexible with cable end Power circuit: screw clamp terminals 2 1.5...4 mm ² - cable stiffness: flexible with cable end
Tightening torque	Control circuit: 1.7 N.m - on screw clamp terminals

Disclaimer: This documentation is not intended as a substitute for and is not to be used for determining suitability or reliability of these products for specific user applications

Power circuit: 1.7 N.m - on screw clamp terminals

Maximum operating rate 240 cyc/h

Complementary

Auxiliary contacts type type mechanically linked 1 NO + 2 NC conforming to IEC 60947-5-1

Environment

IP degree of protection IP20 front face conforming to IEC 60529

Ambient air temperature for operation -5...60 °C

Ambient air temperature for storage -60...80 °C

Operating altitude 0...3000 m

Height 115 mm

Width 45 mm

Depth 121 mm

Net weight 0.53 kg

Packing Units

Unit Type of Package 1 PCE

Number of Units in Package 1 1

Package 1 Height 6.8 cm

Package 1 Width 20 cm

Package 1 Length 22.4 cm

Package 1 Weight 540 g

Unit Type of Package 2 S03

Number of Units in Package 2 6

Package 2 Height 30 cm

Package 2 Width 30 cm

Package 2 Length 40 cm

Package 2 Weight 3.717 kg

Unit Type of Package 3 P06

Number of Units in Package 3 48

Package 3 Height 75 cm

Package 3 Width 60 cm

Package 3 Length 80 cm

Package 3 Weight 37.736 kg

Offer Sustainability

Sustainable offer status Green Premium product

REACH Regulation [REACH Declaration](#)

REACH free of SVHC Yes

EU RoHS Directive Compliant
[EU RoHS Declaration](#)

Toxic heavy metal free Yes

Mercury free	Yes
China RoHS Regulation	China RoHS declaration Pro-active China RoHS declaration (out of China RoHS legal scope)
RoHS exemption information	Yes
Environmental Disclosure	Product Environmental Profile
WEEE	The product must be disposed on European Union markets following specific waste collection and never end up in rubbish bins
California proposition 65	WARNING: This product can expose you to chemicals including: Lead and lead compounds, which is known to the State of California to cause cancer and birth defects or other reproductive harm. For more information go to www.P65Warnings.ca.gov

Contractual warranty

Warranty	18 months
----------	-----------

Recommended replacement(s)

Product data sheet

Specifications



Capacitor duty contactor, TeSys Deca, 12.5kVAR, 400V, 50Hz, 240VAC 50/60Hz coil

LC1DFKU7

Main

Range	TeSys TeSys Deca
Product name	TeSys LC1D.K TeSys Deca
Product or component type	Capacitor duty contactor
Device short name	LC1DFK
Device application	Control
Contactors application	Power factor correction
Utilisation category	AC-6b
Poles description	3P
Power pole contact composition	3 NO
[Ue] rated operational voltage	Power circuit: 690 V AC 50/60 Hz
Reactive power rating	7 kvar at 230 V AC 50 Hz 60 °C 12.5 kvar at 400 V AC 50 Hz 60 °C 13 kvar at 440 V AC 50 Hz 60 °C 21 kvar at 690 V AC 50 Hz 60 °C
Control circuit type	AC at 50/60 Hz
[Uc] control circuit voltage	240 V AC 50/60 Hz
Auxiliary contact composition	1 NO + 2 NC instantaneous
Electrical durability	300000 cycles at Ue 400 V 200000 cycles at Ue 690 V
Mounting support	DIN rail Plate
Standards	EN/IEC 60947-1 EN/IEC 60947-4-1 IEC 60335-1
Product certifications	IECEE CB Scheme UKCA
Connections - terminals	Control circuit: screw clamp terminals 1 1...4 mm ² - cable stiffness: solid Control circuit: screw clamp terminals 2 1...4 mm ² - cable stiffness: solid Control circuit: screw clamp terminals 1 1...4 mm ² - cable stiffness: flexible without cable end Control circuit: screw clamp terminals 2 1...4 mm ² - cable stiffness: flexible without cable end Control circuit: screw clamp terminals 1 1...4 mm ² - cable stiffness: flexible with cable end Control circuit: screw clamp terminals 2 1...2.5 mm ² - cable stiffness: flexible with cable end Power circuit: screw clamp terminals 1 1.5...6 mm ² - cable stiffness: solid Power circuit: screw clamp terminals 2 1.5...4 mm ² - cable stiffness: solid Power circuit: screw clamp terminals 1 1.5...6 mm ² - cable stiffness: flexible without cable end Power circuit: screw clamp terminals 2 1.5...6 mm ² - cable stiffness: flexible without cable end Power circuit: screw clamp terminals 1 1.5...6 mm ² - cable stiffness: flexible with cable end Power circuit: screw clamp terminals 2 1.5...4 mm ² - cable stiffness: flexible with cable end
Tightening torque	Control circuit: 1.7 N.m - on screw clamp terminals

Disclaimer: This documentation is not intended as a substitute for and is not to be used for determining suitability or reliability of these products for specific user applications

Power circuit: 1.7 N.m - on screw clamp terminals

Maximum operating rate 240 cyc/h

Complementary

Auxiliary contacts type type mechanically linked 1 NO + 2 NC conforming to IEC 60947-5-1

Environment

IP degree of protection IP20 front face conforming to IEC 60529

Ambient air temperature for operation -5...60 °C

Ambient air temperature for storage -60...80 °C

Operating altitude 0...3000 m

Height 115 mm

Width 45 mm

Depth 121 mm

Net weight 0.53 kg

Packing Units

Unit Type of Package 1 PCE

Number of Units in Package 1 1

Package 1 Height 7.0 cm

Package 1 Width 20.0 cm

Package 1 Length 23.0 cm

Package 1 Weight 555.0 g

Unit Type of Package 2 PAL

Number of Units in Package 2 48

Package 2 Height 60.0 cm

Package 2 Width 80.0 cm

Package 2 Length 48.0 cm

Package 2 Weight 41.32 kg

Offer Sustainability

Sustainable offer status Green Premium product

REACH Regulation [REACH Declaration](#)

REACH free of SVHC Yes

EU RoHS Directive Compliant
[EU RoHS Declaration](#)

Toxic heavy metal free Yes

Mercury free Yes

China RoHS Regulation [China RoHS declaration](#)
Pro-active China RoHS declaration (out of China RoHS legal scope)

RoHS exemption information [Yes](#)

Environmental Disclosure [Product Environmental Profile](#)

WEEE The product must be disposed on European Union markets following specific waste collection and never end up in rubbish bins

California proposition 65

WARNING: This product can expose you to chemicals including: Lead and lead compounds, which is known to the State of California to cause cancer and birth defects or other reproductive harm. For more information go to www.P65Warnings.ca.gov

Contractual warranty

Warranty 18 months

Recommended replacement(s)

Product data sheet

Specifications



Capacitor duty contactor, TeSys Deca, 12.5kVAR, 400V, 50Hz, 400VAC 50/60Hz coil

LC1DFKV7

Main

Range	TeSys TeSys Deca
Product name	TeSys LC1D.K TeSys Deca
Product or component type	Capacitor duty contactor
Device short name	LC1DFK
Device application	Control
Contactors application	Power factor correction
Utilisation category	AC-6b
Poles description	3P
Power pole contact composition	3 NO
[Ue] rated operational voltage	Power circuit: 690 V AC 50/60 Hz
Reactive power rating	7 kvar at 230 V AC 50 Hz 60 °C 12.5 kvar at 400 V AC 50 Hz 60 °C 13 kvar at 440 V AC 50 Hz 60 °C 21 kvar at 690 V AC 50 Hz 60 °C
Control circuit type	AC at 50/60 Hz
[Uc] control circuit voltage	400 V AC 50/60 Hz
Auxiliary contact composition	1 NO + 2 NC instantaneous
Electrical durability	300000 cycles at Ue 400 V 200000 cycles at Ue 690 V
Mounting support	DIN rail Plate
Standards	EN/IEC 60947-1 EN/IEC 60947-4-1 IEC 60335-1
Product certifications	IECEE CB Scheme UKCA
Connections - terminals	Control circuit: screw clamp terminals 1 1...4 mm ² - cable stiffness: solid Control circuit: screw clamp terminals 2 1...4 mm ² - cable stiffness: solid Control circuit: screw clamp terminals 1 1...4 mm ² - cable stiffness: flexible without cable end Control circuit: screw clamp terminals 2 1...4 mm ² - cable stiffness: flexible without cable end Control circuit: screw clamp terminals 1 1...4 mm ² - cable stiffness: flexible with cable end Control circuit: screw clamp terminals 2 1...2.5 mm ² - cable stiffness: flexible with cable end Power circuit: screw clamp terminals 1 1.5...6 mm ² - cable stiffness: solid Power circuit: screw clamp terminals 2 1.5...4 mm ² - cable stiffness: solid Power circuit: screw clamp terminals 1 1.5...6 mm ² - cable stiffness: flexible without cable end Power circuit: screw clamp terminals 2 1.5...6 mm ² - cable stiffness: flexible without cable end Power circuit: screw clamp terminals 1 1.5...6 mm ² - cable stiffness: flexible with cable end Power circuit: screw clamp terminals 2 1.5...4 mm ² - cable stiffness: flexible with cable end
Tightening torque	Control circuit: 1.7 N.m - on screw clamp terminals

Disclaimer: This documentation is not intended as a substitute for and is not to be used for determining suitability or reliability of these products for specific user applications

Power circuit: 1.7 N.m - on screw clamp terminals

Maximum operating rate 240 cyc/h

Complementary

Auxiliary contacts type type mechanically linked 1 NO + 2 NC conforming to IEC 60947-5-1

Environment

IP degree of protection IP20 front face conforming to IEC 60529

Ambient air temperature for operation -5...60 °C

Ambient air temperature for storage -60...80 °C

Operating altitude 0...3000 m

Height 115 mm

Width 45 mm

Depth 121 mm

Net weight 0.53 kg

Packing Units

Unit Type of Package 1 PCE

Number of Units in Package 1 1

Package 1 Height 6.800 cm

Package 1 Width 19.500 cm

Package 1 Length 22.500 cm

Package 1 Weight 542.000 g

Unit Type of Package 2 S03

Number of Units in Package 2 6

Package 2 Height 30.000 cm

Package 2 Width 30.000 cm

Package 2 Length 40.000 cm

Package 2 Weight 3.730 kg

Unit Type of Package 3 P06

Number of Units in Package 3 48

Package 3 Height 75.000 cm

Package 3 Width 60.000 cm

Package 3 Length 80.000 cm

Package 3 Weight 37.840 kg

Offer Sustainability

Sustainable offer status Green Premium product

REACH Regulation [REACH Declaration](#)

REACH free of SVHC Yes

EU RoHS Directive Compliant
[EU RoHS Declaration](#)

Toxic heavy metal free Yes

Mercury free	Yes
China RoHS Regulation	China RoHS declaration Pro-active China RoHS declaration (out of China RoHS legal scope)
RoHS exemption information	Yes
Environmental Disclosure	Product Environmental Profile
WEEE	The product must be disposed on European Union markets following specific waste collection and never end up in rubbish bins
California proposition 65	WARNING: This product can expose you to chemicals including: Lead and lead compounds, which is known to the State of California to cause cancer and birth defects or other reproductive harm. For more information go to www.P65Warnings.ca.gov

Contractual warranty

Warranty	18 months
----------	-----------

Recommended replacement(s)

Product data sheet

Specifications



Capacitor duty contactor, TeSys Deca, 16.7 kVAR, 400V, 50Hz, 24VAC 50/60Hz coil

LC1DGKB7

Main

Range	TeSys
Product name	TeSys LC1D.K TeSys Deca
Product or component type	Capacitor duty contactor
Device short name	LC1DGK
Device application	Control
Contactor application	Power factor correction
Utilisation category	AC-6b
Poles description	3P
Power pole contact composition	3 NO
[Ue] rated operational voltage	Power circuit: 690 V AC 50/60 Hz
Reactive power rating	9.5 kvar at 230 V AC 50 Hz 60 °C 16.7 kvar at 400 V AC 50 Hz 60 °C 18 kvar at 440 V AC 50 Hz 60 °C 28.5 kvar at 690 V AC 50 Hz 60 °C
Control circuit type	AC at 50/60 Hz
[Uc] control circuit voltage	24 V AC 50/60 Hz
Auxiliary contact composition	1 NO + 2 NC instantaneous
Electrical durability	300000 cycles at Ue 400 V 200000 cycles at Ue 690 V
Mounting support	DIN rail Plate
Standards	EN/IEC 60947-1 EN/IEC 60947-4-1
Product certifications	IECEE CB Scheme UKCA
Connections - terminals	Control circuit: screw clamp terminals 1 1...4 mm ² - cable stiffness: solid Control circuit: screw clamp terminals 2 1...4 mm ² - cable stiffness: solid Control circuit: screw clamp terminals 1 1...4 mm ² - cable stiffness: flexible without cable end Control circuit: screw clamp terminals 2 1...4 mm ² - cable stiffness: flexible without cable end Control circuit: screw clamp terminals 1 1...4 mm ² - cable stiffness: flexible with cable end Control circuit: screw clamp terminals 2 1...2.5 mm ² - cable stiffness: flexible with cable end Power circuit: screw clamp terminals 1 2.5...16 mm ² - cable stiffness: solid Power circuit: screw clamp terminals 2 2.5...6 mm ² - cable stiffness: solid Power circuit: screw clamp terminals 1 1.5...10 mm ² - cable stiffness: flexible without cable end Power circuit: screw clamp terminals 2 1.5...6 mm ² - cable stiffness: flexible without cable end Power circuit: screw clamp terminals 1 1...10 mm ² - cable stiffness: flexible with cable end Power circuit: screw clamp terminals 2 1...4 mm ² - cable stiffness: flexible with cable end
Tightening torque	Control circuit: 1.7 N.m - on screw clamp terminals Power circuit: 2.5 N.m - on screw clamp terminals

Disclaimer: This documentation is not intended as a substitute for and is not to be used for determining suitability or reliability of these products for specific user applications

Maximum operating rate 240 cyc/h

Complementary

Auxiliary contacts type type mechanically linked 1 NO + 2 NC conforming to IEC 60947-5-1

Environment

IP degree of protection IP20 front face conforming to IEC 60529

Ambient air temperature for operation -5...60 °C

Ambient air temperature for storage -60...80 °C

Operating altitude 0...3000 m

Height 125 mm

Width 45 mm

Depth 127 mm

Net weight 0.6 kg

Packing Units

Unit Type of Package 1 PCE

Number of Units in Package 1 1

Package 1 Height 7.0 cm

Package 1 Width 20.0 cm

Package 1 Length 23.0 cm

Package 1 Weight 555.0 g

Offer Sustainability

Sustainable offer status Green Premium product

REACH Regulation [REACH Declaration](#)

REACH free of SVHC Yes

EU RoHS Directive Compliant
[EU RoHS Declaration](#)

Toxic heavy metal free Yes

Mercury free Yes

China RoHS Regulation Pro-active China RoHS declaration (out of China RoHS legal scope)

RoHS exemption information [Yes](#)

Environmental Disclosure [Product Environmental Profile](#)

California proposition 65 WARNING: This product can expose you to chemicals including: Lead and lead compounds, which is known to the State of California to cause cancer and birth defects or other reproductive harm. For more information go to www.P65Warnings.ca.gov

Contractual warranty

Warranty 18 months

Recommended replacement(s)

Product data sheet

Specifications



Capacitor duty contactor, TeSys Deca, 16.7kVAR, 400V, 50Hz, 220VAC 50/60Hz coil

LC1DGKM7

Main

Range	TeSys TeSys Deca
Product name	TeSys LC1D.K TeSys Deca
Product or component type	Capacitor duty contactor
Device short name	LC1DGK
Device application	Control
Contactors application	Power factor correction
Utilisation category	AC-6b
Poles description	3P
Power pole contact composition	3 NO
[Ue] rated operational voltage	Power circuit: 690 V AC 50/60 Hz
Reactive power rating	9.5 kvar at 230 V AC 50 Hz 60 °C 16.7 kvar at 400 V AC 50 Hz 60 °C 18 kvar at 440 V AC 50 Hz 60 °C 28.5 kvar at 690 V AC 50 Hz 60 °C
Control circuit type	AC at 50/60 Hz
[Uc] control circuit voltage	220 V AC 50/60 Hz
Auxiliary contact composition	1 NO + 2 NC instantaneous
Electrical durability	300000 cycles at Ue 400 V 200000 cycles at Ue 690 V
Mounting support	DIN rail Plate
Standards	EN/IEC 60947-1 EN/IEC 60947-4-1 IEC 60335-1
Product certifications	IECEE CB Scheme UKCA
Connections - terminals	Control circuit: screw clamp terminals 1 1...4 mm ² - cable stiffness: solid Control circuit: screw clamp terminals 2 1...4 mm ² - cable stiffness: solid Control circuit: screw clamp terminals 1 1...4 mm ² - cable stiffness: flexible without cable end Control circuit: screw clamp terminals 2 1...4 mm ² - cable stiffness: flexible without cable end Control circuit: screw clamp terminals 1 1...4 mm ² - cable stiffness: flexible with cable end Control circuit: screw clamp terminals 2 1...2.5 mm ² - cable stiffness: flexible with cable end Power circuit: screw clamp terminals 1 2.5...16 mm ² - cable stiffness: solid Power circuit: screw clamp terminals 2 2.5...6 mm ² - cable stiffness: solid Power circuit: screw clamp terminals 1 1.5...10 mm ² - cable stiffness: flexible without cable end Power circuit: screw clamp terminals 2 1.5...6 mm ² - cable stiffness: flexible without cable end Power circuit: screw clamp terminals 1 1...10 mm ² - cable stiffness: flexible with cable end Power circuit: screw clamp terminals 2 1...4 mm ² - cable stiffness: flexible with cable end
Tightening torque	Control circuit: 1.7 N.m - on screw clamp terminals

Disclaimer: This documentation is not intended as a substitute for and is not to be used for determining suitability or reliability of these products for specific user applications

Feb 13, 2023

Life Is On | **Schneider**
Electric

1

Power circuit: 2.5 N.m - on screw clamp terminals

Maximum operating rate 240 cyc/h

Complementary

Auxiliary contacts type type mechanically linked 1 NO + 2 NC conforming to IEC 60947-5-1

Environment

IP degree of protection IP20 front face conforming to IEC 60529

Ambient air temperature for operation -5...60 °C

Ambient air temperature for storage -60...80 °C

Operating altitude 0...3000 m

Height 125 mm

Width 45 mm

Depth 127 mm

Net weight 0.6 kg

Packing Units

Unit Type of Package 1 PCE

Number of Units in Package 1 1

Package 1 Height 6.600 cm

Package 1 Width 19.500 cm

Package 1 Length 22.600 cm

Package 1 Weight 609.000 g

Unit Type of Package 2 S03

Number of Units in Package 2 6

Package 2 Height 30.000 cm

Package 2 Width 30.000 cm

Package 2 Length 40.000 cm

Package 2 Weight 4.079 kg

Unit Type of Package 3 P06

Number of Units in Package 3 48

Package 3 Height 75.000 cm

Package 3 Width 60.000 cm

Package 3 Length 80.000 cm

Package 3 Weight 43.436 kg

Offer Sustainability

Sustainable offer status Green Premium product

REACH Regulation [REACH Declaration](#)

REACH free of SVHC Yes

EU RoHS Directive Compliant
[EU RoHS Declaration](#)

Toxic heavy metal free Yes

Mercury free	Yes
China RoHS Regulation	China RoHS declaration Pro-active China RoHS declaration (out of China RoHS legal scope)
RoHS exemption information	Yes
Environmental Disclosure	Product Environmental Profile
WEEE	The product must be disposed on European Union markets following specific waste collection and never end up in rubbish bins
California proposition 65	WARNING: This product can expose you to chemicals including: Lead and lead compounds, which is known to the State of California to cause cancer and birth defects or other reproductive harm. For more information go to www.P65Warnings.ca.gov

Contractual warranty

Warranty	18 months
----------	-----------

Recommended replacement(s)

Product data sheet

Specifications



Capacitor duty contactor, TeSys Deca, 16.7kVAR, 400V, 50Hz, 240VAC 50/60Hz coil

LC1DGPU7

Main

Range	TeSys TeSys Deca
Product name	TeSys LC1D.K TeSys Deca
Product or component type	Capacitor duty contactor
Device short name	LC1DGK
Device application	Control
Contactors application	Power factor correction
Utilisation category	AC-6b
Poles description	3P
Power pole contact composition	3 NO
[Ue] rated operational voltage	Power circuit: 690 V AC 50/60 Hz
Reactive power rating	9.5 kvar at 230 V AC 50 Hz 60 °C 16.7 kvar at 400 V AC 50 Hz 60 °C 18 kvar at 440 V AC 50 Hz 60 °C 28.5 kvar at 690 V AC 50 Hz 60 °C
Control circuit type	AC at 50/60 Hz
[Uc] control circuit voltage	240 V AC 50/60 Hz
Auxiliary contact composition	1 NO + 2 NC instantaneous
Electrical durability	300000 cycles at Ue 400 V 200000 cycles at Ue 690 V
Mounting support	DIN rail Plate
Standards	EN/IEC 60947-1 EN/IEC 60947-4-1 IEC 60335-1
Product certifications	IECEE CB Scheme UKCA
Connections - terminals	Control circuit: screw clamp terminals 1 1...4 mm ² - cable stiffness: solid Control circuit: screw clamp terminals 2 1...4 mm ² - cable stiffness: solid Control circuit: screw clamp terminals 1 1...4 mm ² - cable stiffness: flexible without cable end Control circuit: screw clamp terminals 2 1...4 mm ² - cable stiffness: flexible without cable end Control circuit: screw clamp terminals 1 1...4 mm ² - cable stiffness: flexible with cable end Control circuit: screw clamp terminals 2 1...2.5 mm ² - cable stiffness: flexible with cable end Power circuit: screw clamp terminals 1 2.5...16 mm ² - cable stiffness: solid Power circuit: screw clamp terminals 2 2.5...6 mm ² - cable stiffness: solid Power circuit: screw clamp terminals 1 1.5...10 mm ² - cable stiffness: flexible without cable end Power circuit: screw clamp terminals 2 1.5...6 mm ² - cable stiffness: flexible without cable end Power circuit: screw clamp terminals 1 1...10 mm ² - cable stiffness: flexible with cable end Power circuit: screw clamp terminals 2 1...4 mm ² - cable stiffness: flexible with cable end
Tightening torque	Control circuit: 1.7 N.m - on screw clamp terminals

Disclaimer: This documentation is not intended as a substitute for and is not to be used for determining suitability or reliability of these products for specific user applications

Power circuit: 2.5 N.m - on screw clamp terminals

Maximum operating rate 240 cyc/h

Complementary

Auxiliary contacts type type mechanically linked 1 NO + 2 NC conforming to IEC 60947-5-1

Environment

IP degree of protection IP20 front face conforming to IEC 60529

Ambient air temperature for operation -5...60 °C

Ambient air temperature for storage -60...80 °C

Operating altitude 0...3000 m

Height 125 mm

Width 45 mm

Depth 127 mm

Net weight 0.6 kg

Packing Units

Unit Type of Package 1 PCE

Number of Units in Package 1 1

Package 1 Height 7.0 cm

Package 1 Width 20.0 cm

Package 1 Length 23.0 cm

Package 1 Weight 555.0 g

Offer Sustainability

Sustainable offer status Green Premium product

REACH Regulation [REACH Declaration](#)

REACH free of SVHC Yes

EU RoHS Directive Compliant
[EU RoHS Declaration](#)

Toxic heavy metal free Yes

Mercury free Yes

China RoHS Regulation [China RoHS declaration](#)
Pro-active China RoHS declaration (out of China RoHS legal scope)

RoHS exemption information Yes

Environmental Disclosure [Product Environmental Profile](#)

California proposition 65 WARNING: This product can expose you to chemicals including: Lead and lead compounds, which is known to the State of California to cause cancer and birth defects or other reproductive harm. For more information go to www.P65Warnings.ca.gov

Contractual warranty

Warranty 18 months

Recommended replacement(s)

Product data sheet

Specifications



Capacitor duty contactor, TeSys Deca, 16.7kVAR, 400V, 50Hz, 400VAC 50/60Hz coil

LC1DGV7

Main

Range	TeSys
Product name	TeSys LC1D.K TeSys Deca
Product or component type	Capacitor duty contactor
Device short name	LC1DFK
Device application	Control
Contactor application	Power factor correction
Utilisation category	AC-6b
Poles description	3P
Power pole contact composition	3 NO
[Ue] rated operational voltage	Power circuit: 690 V AC 50/60 Hz
Reactive power rating	9.5 kvar at 230 V AC 50 Hz 60 °C 16.7 kvar at 400 V AC 50 Hz 60 °C 18 kvar at 440 V AC 50 Hz 60 °C 28.5 kvar at 690 V AC 50 Hz 60 °C
Control circuit type	AC at 50/60 Hz
[Uc] control circuit voltage	400 V AC 50/60 Hz
Auxiliary contact composition	1 NO + 2 NC instantaneous
Electrical durability	300000 cycles at Ue 400 V 200000 cycles at Ue 690 V
Mounting support	DIN rail Plate
Standards	EN/IEC 60947-1 EN/IEC 60947-4-1
Product certifications	IECEE CB Scheme
Connections - terminals	Control circuit: screw clamp terminals 1 1...4 mm ² - cable stiffness: solid Control circuit: screw clamp terminals 2 1...4 mm ² - cable stiffness: solid Control circuit: screw clamp terminals 1 1...4 mm ² - cable stiffness: flexible without cable end Control circuit: screw clamp terminals 2 1...4 mm ² - cable stiffness: flexible without cable end Control circuit: screw clamp terminals 1 1...4 mm ² - cable stiffness: flexible with cable end Control circuit: screw clamp terminals 2 1...2.5 mm ² - cable stiffness: flexible with cable end Power circuit: screw clamp terminals 1 2.5...16 mm ² - cable stiffness: solid Power circuit: screw clamp terminals 2 2.5...6 mm ² - cable stiffness: solid Power circuit: screw clamp terminals 1 1.5...10 mm ² - cable stiffness: flexible without cable end Power circuit: screw clamp terminals 2 1.5...6 mm ² - cable stiffness: flexible without cable end Power circuit: screw clamp terminals 1 1...10 mm ² - cable stiffness: flexible with cable end Power circuit: screw clamp terminals 2 1...4 mm ² - cable stiffness: flexible with cable end
Tightening torque	Control circuit: 1.7 N.m - on screw clamp terminals Power circuit: 2.5 N.m - on screw clamp terminals

Disclaimer: This documentation is not intended as a substitute for and is not to be used for determining suitability or reliability of these products for specific user applications

Maximum operating rate 240 cyc/h

Complementary

Auxiliary contacts type type mechanically linked 1 NO + 2 NC conforming to IEC 60947-5-1

Environment

IP degree of protection IP20 front face conforming to IEC 60529

Ambient air temperature for operation -5...60 °C

Ambient air temperature for storage -60...80 °C

Operating altitude 0...3000 m

Height 125 mm

Width 45 mm

Depth 127 mm

Net weight 0.6 kg

Packing Units

Unit Type of Package 1 PCE

Number of Units in Package 1 1

Package 1 Height 7.0 cm

Package 1 Width 20.0 cm

Package 1 Length 23.0 cm

Package 1 Weight 555.0 g

Offer Sustainability

Sustainable offer status Green Premium product

REACH Regulation [REACH Declaration](#)

REACH free of SVHC Yes

EU RoHS Directive Compliant
[EU RoHS Declaration](#)

Toxic heavy metal free Yes

Mercury free Yes

China RoHS Regulation [China RoHS declaration](#)
Pro-active China RoHS declaration (out of China RoHS legal scope)

RoHS exemption information [Yes](#)

Environmental Disclosure [Product Environmental Profile](#)

California proposition 65 WARNING: This product can expose you to chemicals including: Lead and lead compounds, which is known to the State of California to cause cancer and birth defects or other reproductive harm. For more information go to www.P65Warnings.ca.gov

Contractual warranty

Warranty 18 months

Recommended replacement(s)

Product data sheet

Specifications



Capacitor duty contactor, TeSys Deca, 20kVAR, 400V, 50Hz, 220VAC 50/60Hz coil

LC1DLKM7

Main

Range	TeSys TeSys Deca
Product name	TeSys LC1D.K TeSys Deca
Product or component type	Capacitor duty contactor
Device short name	LC1DLK
Device application	Control
Contactors application	Power factor correction
Utilisation category	AC-6b
Poles description	3P
Power pole contact composition	3 NO
Device location in system	Line interruption Inside delta interruption
[Ue] rated operational voltage	Power circuit: 690 V AC 50/60 Hz
Reactive power rating	11 kvar at 230 V AC 50 Hz 60 °C 20 kvar at 400 V AC 50 Hz 60 °C 21 kvar at 440 V AC 50 Hz 60 °C 33 kvar at 690 V AC 50 Hz 60 °C
Control circuit type	AC at 50/60 Hz
[Uc] control circuit voltage	220 V AC 50/60 Hz
Auxiliary contact composition	1 NO + 2 NC instantaneous
Electrical durability	300000 cycles at Ue 400 V 200000 cycles at Ue 690 V
Mounting support	DIN rail Plate
Standards	EN/IEC 60947-1 EN/IEC 60947-4-1 IEC 60335-1
Product certifications	IECEE CB Scheme UKCA
Connections - terminals	Control circuit: screw clamp terminals 1 1...4 mm ² - cable stiffness: solid Control circuit: screw clamp terminals 2 1...4 mm ² - cable stiffness: solid Control circuit: screw clamp terminals 1 1...4 mm ² - cable stiffness: flexible without cable end Control circuit: screw clamp terminals 2 1...4 mm ² - cable stiffness: flexible without cable end Control circuit: screw clamp terminals 1 1...4 mm ² - cable stiffness: flexible with cable end Control circuit: screw clamp terminals 2 1...2.5 mm ² - cable stiffness: flexible with cable end Power circuit: screw clamp terminals 1 2.5...16 mm ² - cable stiffness: solid Power circuit: screw clamp terminals 2 2.5...6 mm ² - cable stiffness: solid Power circuit: screw clamp terminals 1 1.5...10 mm ² - cable stiffness: flexible without cable end Power circuit: screw clamp terminals 2 1.5...6 mm ² - cable stiffness: flexible without cable end Power circuit: screw clamp terminals 1 1...10 mm ² - cable stiffness: flexible with cable end

Disclaimer: This documentation is not intended as a substitute for and is not to be used for determining suitability or reliability of these products for specific user applications

Power circuit: screw clamp terminals 2 1...4 mm² - cable stiffness: flexible with cable end

Tightening torque Control circuit: 1.7 N.m - on screw clamp terminals
Power circuit: 2.5 N.m - on screw clamp terminals

Maximum operating rate 240 cyc/h

Complementary

Auxiliary contacts type type mechanically linked 1 NO + 2 NC conforming to IEC 60947-5-1

Environment

IP degree of protection IP20 front face conforming to IEC 60529

Ambient air temperature for operation -5...60 °C

Ambient air temperature for storage -60...80 °C

Operating altitude 0...3000 m

Height 125 mm

Width 45 mm

Depth 127 mm

Net weight 0.6 kg

Packing Units

Unit Type of Package 1 PCE

Number of Units in Package 1 1

Package 1 Height 6.6 cm

Package 1 Width 19.4 cm

Package 1 Length 22.6 cm

Package 1 Weight 608 g

Unit Type of Package 2 S03

Number of Units in Package 2 6

Package 2 Height 30 cm

Package 2 Width 30 cm

Package 2 Length 40 cm

Package 2 Weight 4.118 kg

Unit Type of Package 3 P06

Number of Units in Package 3 48

Package 3 Height 75 cm

Package 3 Width 60 cm

Package 3 Length 80 cm

Package 3 Weight 43.388 kg

Offer Sustainability

Sustainable offer status Green Premium product

REACH Regulation [REACH Declaration](#)

REACH free of SVHC Yes

EU RoHS Directive Compliant
[EU RoHS Declaration](#)

Toxic heavy metal free	Yes
Mercury free	Yes
China RoHS Regulation	China RoHS declaration Pro-active China RoHS declaration (out of China RoHS legal scope)
RoHS exemption information	Yes
Environmental Disclosure	Product Environmental Profile
WEEE	The product must be disposed on European Union markets following specific waste collection and never end up in rubbish bins
California proposition 65	WARNING: This product can expose you to chemicals including: Lead and lead compounds, which is known to the State of California to cause cancer and birth defects or other reproductive harm. For more information go to www.P65Warnings.ca.gov

Contractual warranty

Warranty	18 months
----------	-----------

Recommended replacement(s)

Product data sheet

Specifications



Capacitor duty contactor, TeSys Deca, 20kVAR, 400V, 50Hz, 230VAC 50/60Hz coil

LC1DLKP7

Main

Range	TeSys TeSys Deca
Product name	TeSys LC1D.K TeSys Deca
Product or component type	Capacitor duty contactor
Device short name	LC1DLK
Device application	Control
Contactors application	Power factor correction
Utilisation category	AC-6b
Poles description	3P
Power pole contact composition	3 NO
Device location in system	Inside delta interruption Line interruption
[Ue] rated operational voltage	Power circuit: 690 V AC 50/60 Hz
Reactive power rating	11 kvar at 230 V AC 50 Hz 60 °C 20 kvar at 400 V AC 50 Hz 60 °C 21 kvar at 440 V AC 50 Hz 60 °C 33 kvar at 690 V AC 50 Hz 60 °C
Control circuit type	AC at 50/60 Hz
[Uc] control circuit voltage	230 V AC 50/60 Hz
Auxiliary contact composition	1 NO + 2 NC instantaneous
Electrical durability	300000 cycles at Ue 400 V 200000 cycles at Ue 690 V
Mounting support	DIN rail Plate
Standards	EN/IEC 60947-1 EN/IEC 60947-4-1 IEC 60335-1
Product certifications	IECEE CB Scheme UKCA
Connections - terminals	Control circuit: screw clamp terminals 1 1...4 mm ² - cable stiffness: solid Control circuit: screw clamp terminals 2 1...4 mm ² - cable stiffness: solid Control circuit: screw clamp terminals 1 1...4 mm ² - cable stiffness: flexible without cable end Control circuit: screw clamp terminals 1 1...4 mm ² - cable stiffness: flexible without cable end Control circuit: screw clamp terminals 1 1...4 mm ² - cable stiffness: flexible with cable end Control circuit: screw clamp terminals 2 1...2.5 mm ² - cable stiffness: flexible with cable end Power circuit: screw clamp terminals 1 2.5...16 mm ² - cable stiffness: solid Power circuit: screw clamp terminals 2 2.5...6 mm ² - cable stiffness: solid Power circuit: screw clamp terminals 1 1.5...10 mm ² - cable stiffness: flexible without cable end Power circuit: screw clamp terminals 2 1.5...6 mm ² - cable stiffness: flexible without cable end Power circuit: screw clamp terminals 1 1...10 mm ² - cable stiffness: flexible with cable end

Disclaimer: This documentation is not intended as a substitute for and is not to be used for determining suitability or reliability of these products for specific user applications

Feb 13, 2023

Life Is On | Schneider Electric

1

Power circuit: screw clamp terminals 2 1...4 mm² - cable stiffness: flexible with cable end

Tightening torque Control circuit: 1.7 N.m - on screw clamp terminals
Power circuit: 2.5 N.m - on screw clamp terminals

Maximum operating rate 240 cyc/h

Complementary

Auxiliary contacts type type mechanically linked 1 NO + 2 NC conforming to IEC 60947-5-1

Environment

IP degree of protection IP20 front face conforming to IEC 60529

Ambient air temperature for operation -5...60 °C

Ambient air temperature for storage -60...80 °C

Operating altitude 0...3000 m

Height 125 mm

Width 45 mm

Depth 127 mm

Net weight 0.6 kg

Packing Units

Unit Type of Package 1 PCE

Number of Units in Package 1 1

Package 1 Height 6.700 cm

Package 1 Width 19.400 cm

Package 1 Length 22.700 cm

Package 1 Weight 610 g

Unit Type of Package 2 S03

Number of Units in Package 2 6

Package 2 Height 30.000 cm

Package 2 Width 30.000 cm

Package 2 Length 40.000 cm

Package 2 Weight 4.167 kg

Unit Type of Package 3 P06

Number of Units in Package 3 48

Package 3 Height 75.000 cm

Package 3 Width 60.000 cm

Package 3 Length 80.000 cm

Package 3 Weight 43.484 kg

Offer Sustainability

Sustainable offer status Green Premium product

REACH Regulation [REACH Declaration](#)

REACH free of SVHC Yes

EU RoHS Directive Compliant
[EU RoHS Declaration](#)

Toxic heavy metal free	Yes
Mercury free	Yes
China RoHS Regulation	China RoHS declaration Pro-active China RoHS declaration (out of China RoHS legal scope)
RoHS exemption information	Yes
Environmental Disclosure	Product Environmental Profile
WEEE	The product must be disposed on European Union markets following specific waste collection and never end up in rubbish bins
California proposition 65	WARNING: This product can expose you to chemicals including: Lead and lead compounds, which is known to the State of California to cause cancer and birth defects or other reproductive harm. For more information go to www.P65Warnings.ca.gov

Contractual warranty

Warranty	18 months
----------	-----------

Recommended replacement(s)

Product data sheet

Specifications



Capacitor duty contactor, TeSys Deca, 20kVAR, 400V, 50Hz, 380VAC 50/60Hz coil

LC1DLKQ7

Main

Range	TeSys TeSys Deca
Product name	TeSys LC1D.K TeSys Deca
Product or component type	Capacitor duty contactor
Device short name	LC1DLK
Device application	Control
Contactors application	Power factor correction
Utilisation category	AC-6b
Poles description	3P
Power pole contact composition	3 NO
Device location in system	Line interruption Inside delta interruption
[Ue] rated operational voltage	Power circuit: 690 V AC 50/60 Hz
Reactive power rating	11 kvar at 230 V AC 50 Hz 60 °C 20 kvar at 400 V AC 50 Hz 60 °C 21 kvar at 440 V AC 50 Hz 60 °C 33 kvar at 690 V AC 50 Hz 60 °C
Control circuit type	AC at 50/60 Hz
[Uc] control circuit voltage	380 V AC 50/60 Hz
Auxiliary contact composition	1 NO + 2 NC instantaneous
Electrical durability	300000 cycles at Ue 400 V 200000 cycles at Ue 690 V
Mounting support	DIN rail Plate
Standards	EN/IEC 60947-1 EN/IEC 60947-4-1 IEC 60335-1
Product certifications	IECEE CB Scheme UKCA
Connections - terminals	Control circuit: screw clamp terminals 1 1...4 mm ² - cable stiffness: solid Control circuit: screw clamp terminals 2 1...4 mm ² - cable stiffness: solid Control circuit: screw clamp terminals 1 1...4 mm ² - cable stiffness: flexible without cable end Control circuit: screw clamp terminals 2 1...4 mm ² - cable stiffness: flexible without cable end Control circuit: screw clamp terminals 1 1...4 mm ² - cable stiffness: flexible with cable end Control circuit: screw clamp terminals 2 1...2.5 mm ² - cable stiffness: flexible with cable end Power circuit: screw clamp terminals 1 2.5...16 mm ² - cable stiffness: solid Power circuit: screw clamp terminals 2 2.5...6 mm ² - cable stiffness: solid Power circuit: screw clamp terminals 1 1.5...10 mm ² - cable stiffness: flexible without cable end Power circuit: screw clamp terminals 2 1.5...6 mm ² - cable stiffness: flexible without cable end Power circuit: screw clamp terminals 1 1...10 mm ² - cable stiffness: flexible with cable end

Feb 13, 2023

Life Is On | Schneider Electric

1

Disclaimer: This documentation is not intended as a substitute for and is not to be used for determining suitability or reliability of these products for specific user applications

Power circuit: screw clamp terminals 2 1...4 mm² - cable stiffness: flexible with cable end

Tightening torque Control circuit: 1.7 N.m - on screw clamp terminals
Power circuit: 2.5 N.m - on screw clamp terminals

Maximum operating rate 240 cyc/h

Complementary

Auxiliary contacts type type mechanically linked 1 NO + 2 NC conforming to IEC 60947-5-1

Environment

IP degree of protection IP20 front face conforming to IEC 60529

Ambient air temperature for operation -5...60 °C

Ambient air temperature for storage -60...80 °C

Operating altitude 0...3000 m

Height 125 mm

Width 45 mm

Depth 127 mm

Net weight 0.6 kg

Packing Units

Unit Type of Package 1 PCE

Number of Units in Package 1 1

Package 1 Height 7.0 cm

Package 1 Width 20.0 cm

Package 1 Length 23.0 cm

Package 1 Weight 615.0 g

Offer Sustainability

Sustainable offer status Green Premium product

REACH Regulation [REACH Declaration](#)

REACH free of SVHC Yes

EU RoHS Directive Compliant
[EU RoHS Declaration](#)

Toxic heavy metal free Yes

Mercury free Yes

China RoHS Regulation [China RoHS declaration](#)
Pro-active China RoHS declaration (out of China RoHS legal scope)

RoHS exemption information Yes

Environmental Disclosure [Product Environmental Profile](#)

WEEE The product must be disposed on European Union markets following specific waste collection and never end up in rubbish bins

California proposition 65 WARNING: This product can expose you to chemicals including: Lead and lead compounds, which is known to the State of California to cause cancer and birth defects or other reproductive harm. For more information go to www.P65Warnings.ca.gov

Contractual warranty

Warranty 18 months

Recommended replacement(s)

Product data sheet

Specifications



Capacitor duty contactor, TeSys Deca, 20 kVAR, 400V, 50Hz, 240VAC 50/60Hz coil

LC1DLKU7

Main

Range	TeSys
Product name	TeSys LC1D.K TeSys Deca
Product or component type	Capacitor duty contactor
Device short name	LC1DLK
Device application	Control
Contact application	Power factor correction
Utilisation category	AC-6b
Poles description	3P
Power pole contact composition	3 NO
Device location in system	Line interruption Inside delta interruption
[Ue] rated operational voltage	Power circuit: 690 V AC 50/60 Hz
Reactive power rating	11 kvar at 230 V AC 50 Hz 60 °C 20 kvar at 400 V AC 50 Hz 60 °C 21 kvar at 440 V AC 50 Hz 60 °C 33 kvar at 690 V AC 50 Hz 60 °C
Control circuit type	AC at 50/60 Hz
[Uc] control circuit voltage	240 V AC 50/60 Hz
Auxiliary contact composition	1 NO + 2 NC instantaneous
Electrical durability	300000 cycles at Ue 400 V 200000 cycles at Ue 690 V
Mounting support	DIN rail Plate
Standards	EN/IEC 60947-1 EN/IEC 60947-4-1
Product certifications	IECEE CB Scheme UKCA

Connections - terminals

Control circuit: screw clamp terminals 1 1...4 mm² - cable stiffness: solid
Control circuit: screw clamp terminals 2 1...4 mm² - cable stiffness: solid
Control circuit: screw clamp terminals 1 1...4 mm² - cable stiffness: flexible without cable end
Control circuit: screw clamp terminals 2 1...4 mm² - cable stiffness: flexible without cable end
Control circuit: screw clamp terminals 1 1...4 mm² - cable stiffness: flexible with cable end
Control circuit: screw clamp terminals 2 1...2.5 mm² - cable stiffness: flexible with cable end
Power circuit: screw clamp terminals 1 2.5...16 mm² - cable stiffness: solid
Power circuit: screw clamp terminals 2 2.5...6 mm² - cable stiffness: solid
Power circuit: screw clamp terminals 1 1.5...10 mm² - cable stiffness: flexible without cable end
Power circuit: screw clamp terminals 2 1.5...6 mm² - cable stiffness: flexible without cable end
Power circuit: screw clamp terminals 1 1...10 mm² - cable stiffness: flexible with cable end
Power circuit: screw clamp terminals 2 1...4 mm² - cable stiffness: flexible with cable end

Feb 13, 2023

Life Is On | Schneider Electric

1

Disclaimer: This documentation is not intended as a substitute for and is not to be used for determining suitability or reliability of these products for specific user applications

Tightening torque Control circuit: 1.7 N.m - on screw clamp terminals
Power circuit: 2.5 N.m - on screw clamp terminals

Maximum operating rate 240 cyc/h

Complementary

Auxiliary contacts type type mechanically linked 1 NO + 2 NC conforming to IEC 60947-5-1

Environment

IP degree of protection IP20 front face conforming to IEC 60529

Ambient air temperature for operation -5...60 °C

Ambient air temperature for storage -60...80 °C

Operating altitude 0...3000 m

Height 125 mm

Width 45 mm

Depth 127 mm

Net weight 0.6 kg

Packing Units

Unit Type of Package 1 PCE

Number of Units in Package 1 1

Package 1 Height 7.0 cm

Package 1 Width 20.0 cm

Package 1 Length 23.0 cm

Package 1 Weight 615.0 g

Unit Type of Package 2 PAL

Number of Units in Package 2 48

Package 2 Height 60.0 cm

Package 2 Width 80.0 cm

Package 2 Length 48.0 cm

Package 2 Weight 41.32 kg

Offer Sustainability

Sustainable offer status Green Premium product

REACH Regulation [REACH Declaration](#)

REACH free of SVHC Yes

EU RoHS Directive Compliant
[EU RoHS Declaration](#)

Toxic heavy metal free Yes

Mercury free Yes

China RoHS Regulation [China RoHS declaration](#)
Pro-active China RoHS declaration (out of China RoHS legal scope)

RoHS exemption information [Yes](#)

Environmental Disclosure [Product Environmental Profile](#)

California proposition 65

WARNING: This product can expose you to chemicals including: Lead and lead compounds, which is known to the State of California to cause cancer and birth defects or other reproductive harm. For more information go to www.P65Warnings.ca.gov

Contractual warranty

Warranty 18 months

Recommended replacement(s)

Product data sheet

Specifications



Capacitor duty contactor, TeSys Deca, 25kVAR, 400V, 50Hz, 24VAC 50/60Hz coil

LC1DMKB7

Main

Range	TeSys TeSys Deca
Product name	TeSys LC1D.K TeSys Deca
Product or component type	Capacitor duty contactor
Device short name	LC1DMK
Device application	Control
Contactors application	Power factor correction
Utilisation category	AC-6b
Poles description	3P
Power pole contact composition	3 NO
Device location in system	Line interruption Inside delta interruption
[Ue] rated operational voltage	Power circuit: 690 V AC 50/60 Hz
Reactive power rating	14 kvar at 230 V AC 50 Hz 60 °C 25 kvar at 400 V AC 50 Hz 60 °C 27 kvar at 440 V AC 50 Hz 60 °C 42 kvar at 690 V AC 50 Hz 60 °C
Control circuit type	AC at 50/60 Hz
[Uc] control circuit voltage	24 V AC 50/60 Hz
Auxiliary contact composition	1 NO + 2 NC instantaneous
Electrical durability	300000 cycles at Ue 400 V 200000 cycles at Ue 690 V
Mounting support	DIN rail Plate
Standards	EN/IEC 60947-1 EN/IEC 60947-4-1 IEC 60335-1
Product certifications	IECEE CB Scheme UKCA
Connections - terminals	Control circuit: screw clamp terminals 1 1...4 mm ² - cable stiffness: solid Control circuit: screw clamp terminals 2 1...4 mm ² - cable stiffness: solid Control circuit: screw clamp terminals 1 1...4 mm ² - cable stiffness: flexible without cable end Control circuit: screw clamp terminals 2 1...4 mm ² - cable stiffness: flexible without cable end Control circuit: screw clamp terminals 1 1...4 mm ² - cable stiffness: flexible with cable end Control circuit: screw clamp terminals 2 1...2.5 mm ² - cable stiffness: flexible with cable end Power circuit: screw clamp terminals 1 2.5...16 mm ² - cable stiffness: solid Power circuit: screw clamp terminals 2 2.5...6 mm ² - cable stiffness: solid Power circuit: screw clamp terminals 1 1.5...10 mm ² - cable stiffness: flexible without cable end Power circuit: screw clamp terminals 2 1.5...6 mm ² - cable stiffness: flexible without cable end Power circuit: screw clamp terminals 1 1...10 mm ² - cable stiffness: flexible with cable end

Disclaimer: This documentation is not intended as a substitute for and is not to be used for determining suitability or reliability of these products for specific user applications

Power circuit: screw clamp terminals 2 1...4 mm² - cable stiffness: flexible with cable end

Tightening torque
Control circuit: 1.7 N.m - on screw clamp terminals
Power circuit: 2.5 N.m - on screw clamp terminals

Maximum operating rate 240 cyc/h

Complementary

Auxiliary contacts type type mechanically linked 1 NO + 2 NC conforming to IEC 60947-5-1

Environment

IP degree of protection IP20 front face conforming to IEC 60529

Ambient air temperature for operation -5...60 °C

Ambient air temperature for storage -60...80 °C

Operating altitude 0...3000 m

Height 125 mm

Width 45 mm

Depth 127 mm

Net weight 0.63 kg

Packing Units

Unit Type of Package 1 PCE

Number of Units in Package 1 1

Package 1 Height 7.0 cm

Package 1 Width 20.0 cm

Package 1 Length 23.0 cm

Package 1 Weight 615.0 g

Offer Sustainability

Sustainable offer status Green Premium product

REACH Regulation [REACH Declaration](#)

REACH free of SVHC Yes

EU RoHS Directive Compliant
[EU RoHS Declaration](#)

Toxic heavy metal free Yes

Mercury free Yes

China RoHS Regulation [China RoHS declaration](#)
Pro-active China RoHS declaration (out of China RoHS legal scope)

RoHS exemption information Yes

Environmental Disclosure [Product Environmental Profile](#)

California proposition 65 WARNING: This product can expose you to chemicals including: Lead and lead compounds, which is known to the State of California to cause cancer and birth defects or other reproductive harm. For more information go to www.P65Warnings.ca.gov

Contractual warranty

Warranty 18 months

Recommended replacement(s)

Product data sheet

Specifications



Capacitor duty contactor, TeSys Deca, 25kVAR, 400V, 50Hz, 220VAC 50/60Hz coil

LC1DMKM7

Main

Range	TeSys TeSys Deca
Product name	TeSys LC1D.K TeSys Deca
Product or component type	Capacitor duty contactor
Device short name	LC1DMK
Device application	Control
Contactors application	Power factor correction
Utilisation category	AC-6b
Poles description	3P
Power pole contact composition	3 NO
Device location in system	Line interruption Inside delta interruption
[Ue] rated operational voltage	Power circuit: 690 V AC 50/60 Hz
Reactive power rating	14 kvar at 230 V AC 50 Hz 60 °C 25 kvar at 400 V AC 50 Hz 60 °C 27 kvar at 440 V AC 50 Hz 60 °C 42 kvar at 690 V AC 50 Hz 60 °C
Control circuit type	AC at 50/60 Hz
[Uc] control circuit voltage	220 V AC 50/60 Hz
Auxiliary contact composition	1 NO + 2 NC instantaneous
Electrical durability	300000 cycles at Ue 400 V 200000 cycles at Ue 690 V
Mounting support	DIN rail Plate
Standards	EN/IEC 60947-1 EN/IEC 60947-4-1 IEC 60335-1
Product certifications	IECEE CB Scheme UKCA
Connections - terminals	Control circuit: screw clamp terminals 1 1...4 mm ² - cable stiffness: solid Control circuit: screw clamp terminals 2 1...4 mm ² - cable stiffness: solid Control circuit: screw clamp terminals 1 1...4 mm ² - cable stiffness: flexible without cable end Control circuit: screw clamp terminals 2 1...4 mm ² - cable stiffness: flexible without cable end Control circuit: screw clamp terminals 1 1...4 mm ² - cable stiffness: flexible with cable end Control circuit: screw clamp terminals 2 1...2.5 mm ² - cable stiffness: flexible with cable end Power circuit: screw clamp terminals 1 2.5...16 mm ² - cable stiffness: solid Power circuit: screw clamp terminals 2 2.5...6 mm ² - cable stiffness: solid Power circuit: screw clamp terminals 1 1.5...10 mm ² - cable stiffness: flexible without cable end Power circuit: screw clamp terminals 2 1.5...6 mm ² - cable stiffness: flexible without cable end Power circuit: screw clamp terminals 1 1...10 mm ² - cable stiffness: flexible with cable end

Feb 12, 2023

Life Is On | Schneider Electric

1

Disclaimer: This documentation is not intended as a substitute for and is not to be used for determining suitability or reliability of these products for specific user applications

Power circuit: screw clamp terminals 2 1...4 mm² - cable stiffness: flexible with cable end

Tightening torque
Control circuit: 1.7 N.m - on screw clamp terminals
Power circuit: 2.5 N.m - on screw clamp terminals

Maximum operating rate 240 cyc/h

Complementary

Auxiliary contacts type type mechanically linked 1 NO + 2 NC conforming to IEC 60947-5-1

Environment

IP degree of protection IP20 front face conforming to IEC 60529

Ambient air temperature for operation -5...60 °C

Ambient air temperature for storage -60...80 °C

Operating altitude 0...3000 m

Height 125 mm

Width 45 mm

Depth 127 mm

Net weight 0.63 kg

Packing Units

Unit Type of Package 1 PCE

Number of Units in Package 1 1

Package 1 Height 7.000 cm

Package 1 Width 19.500 cm

Package 1 Length 23.000 cm

Package 1 Weight 600.000 g

Unit Type of Package 2 S03

Number of Units in Package 2 6

Package 2 Height 30.000 cm

Package 2 Width 30.000 cm

Package 2 Length 40.000 cm

Package 2 Weight 4.077 kg

Unit Type of Package 3 P06

Number of Units in Package 3 48

Package 3 Height 75.000 cm

Package 3 Width 60.000 cm

Package 3 Length 80.000 cm

Package 3 Weight 42.500 kg

Offer Sustainability

Sustainable offer status Green Premium product

REACH Regulation [REACH Declaration](#)

REACH free of SVHC Yes

EU RoHS Directive Compliant
[EU RoHS Declaration](#)

Toxic heavy metal free	Yes
Mercury free	Yes
China RoHS Regulation	China RoHS declaration Pro-active China RoHS declaration (out of China RoHS legal scope)
RoHS exemption information	Yes
Environmental Disclosure	Product Environmental Profile
WEEE	The product must be disposed on European Union markets following specific waste collection and never end up in rubbish bins
California proposition 65	WARNING: This product can expose you to chemicals including: Lead and lead compounds, which is known to the State of California to cause cancer and birth defects or other reproductive harm. For more information go to www.P65Warnings.ca.gov

Contractual warranty

Warranty	18 months
----------	-----------

Recommended replacement(s)