

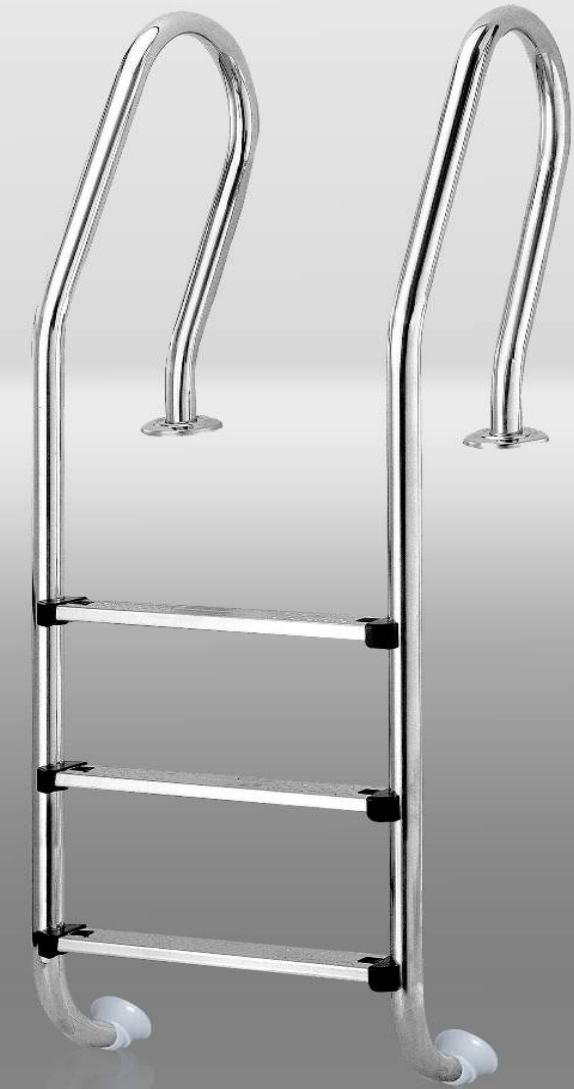
Pool Surrounding Equipment

SUPERIOR CORROSION RESISTANCE

Both anchor and flange type available

Material

Polished Stainless Steel 304 or 316



Pool & Spa Equipment

EMAUX WATER TECHNOLOGY CO., LTD

ADDRESS: Flat A-D, 20/F., Kai Bo 22, 22 Wing Kin Road,

Kwai Chung, Hong Kong

PHONE +852 2832 9880

www.emauxgroup.com


YOUR PREMIER SUPPLIER

Available from:

e Emaux
water technology


ALL SPECIFICATIONS ARE SUBJECT TO CHANGE WITHOUT NOTICE.


© 2021 EMAUX WATER TECHNOLOGY CO., LTD. ALL RIGHTS RESERVED.

 www.famcocorp.com

 E-mail: info@famcocorp.com

 [@famco_group](https://www.instagram.com/famco_group)

 Tel: +۹۱-۴۸۰۰۰۰۴۹

 Fax: +۹۱-۴۴۹۹۴۶۴۲

تهران، کیلومتر ۲۱ بزرگراه لشگری (جاده مخصوص کرج)

روبروی پالایشگاه نفت پارس، پلاک ۱۲

Pool Ladders

Stainless Steel 304 or 316 (φ42mm) tubes with a polished finish



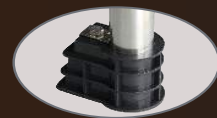
Ancillary Shoring
- is provided with a supporting
construction on the wall.



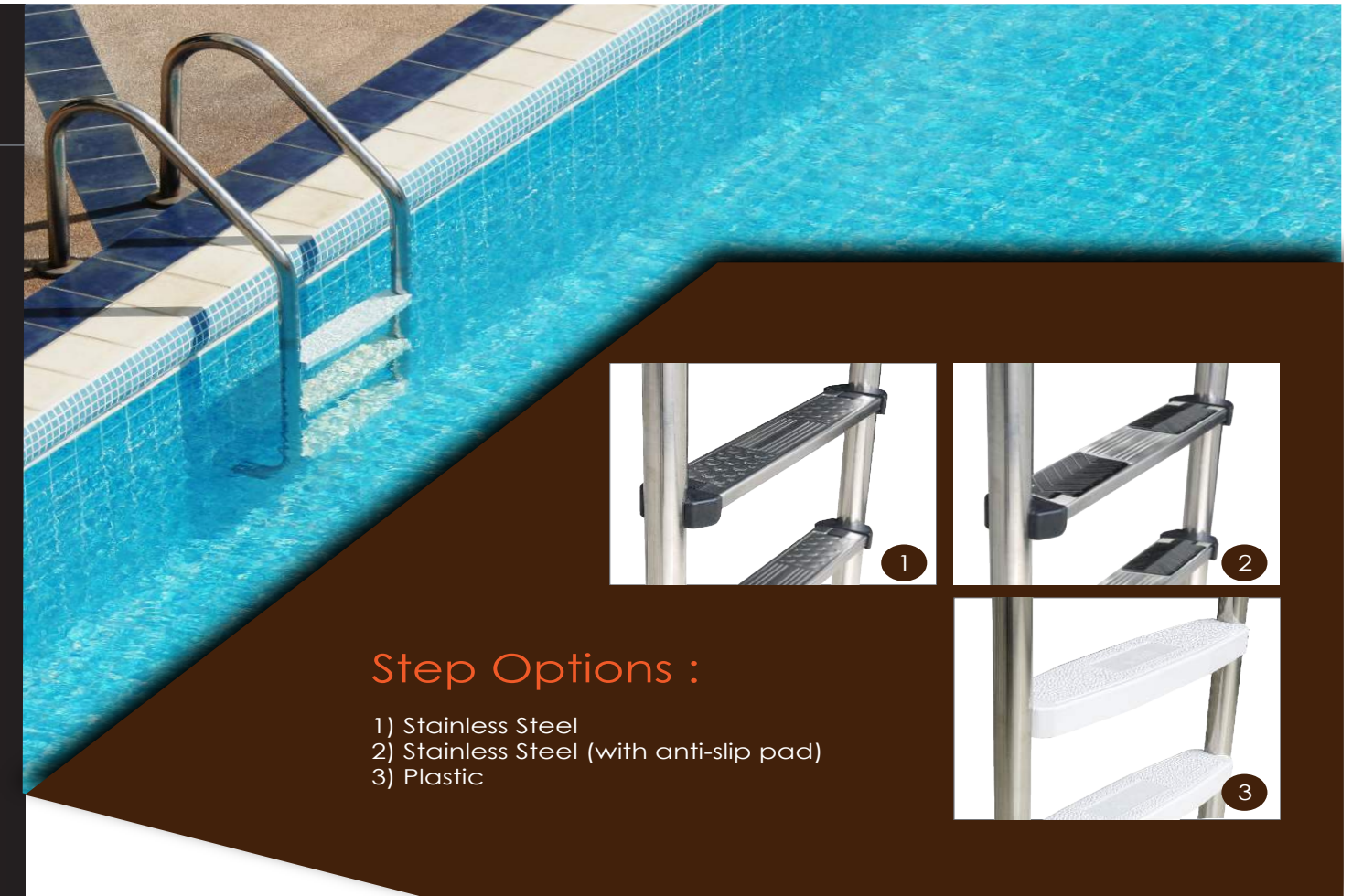
Installation Options :

1) Anchor Type

2) Flange Type



Pool ladders can be easily installed either with anchors embedded in the concrete deck or bolted flanges. The fixtures are concealed by stainless steel escutcheons.



Step Options :

- 1) Stainless Steel
- 2) Stainless Steel (with anti-slip pad)
- 3) Plastic



Robust Steel Arms of Pools

Quality ladders provide safety and ease for your pool

Ladder handrails are made of φ42mm tubes in polished stainless steel 304 (or 316 for saltwater pools). Correct selection and proper placement of handrails and ladders add a significant measure of safety to every pool area.

Three kinds of step are available: Plastic, stainless steel, and stainless steel with anti-slip pads. All ladders are available with anchor or flange type fixtures for easy installation.

Pool Ladders

Stainless Steel 304 or 316 (φ42mm) tubes with a polished finish

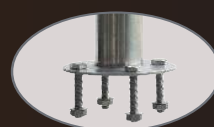
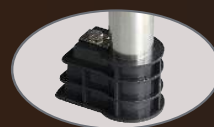


Ancillary Shoring
- is provided with a supporting construction on the wall.

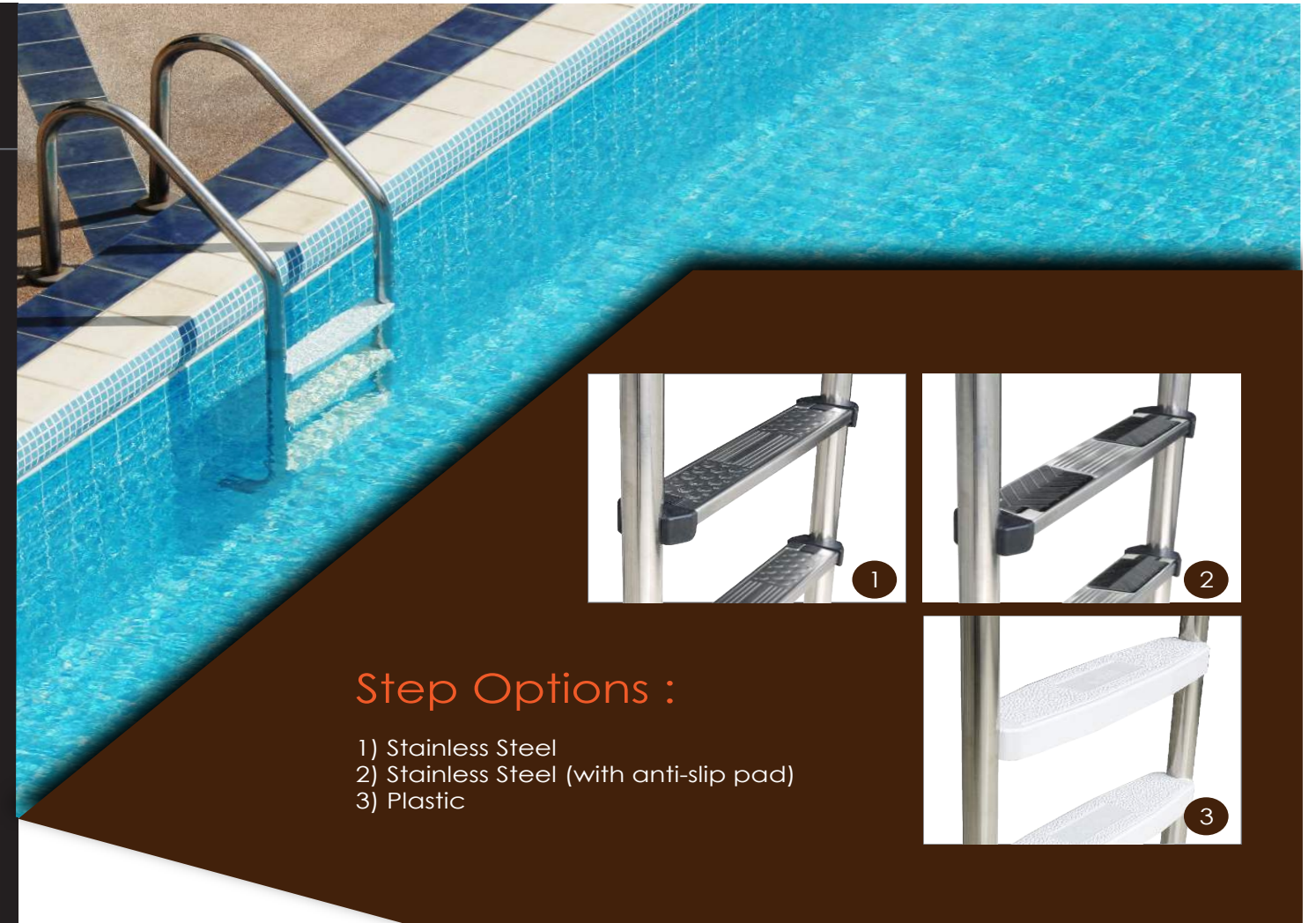
Installation Options :

1) Anchor Type

2) Flange Type



Pool ladders can be easily installed either with anchors embedded in the concrete deck or bolted flanges. The fixtures are concealed by stainless steel escutcheons.



Step Options :

- 1) Stainless Steel
- 2) Stainless Steel (with anti-slip pad)
- 3) Plastic

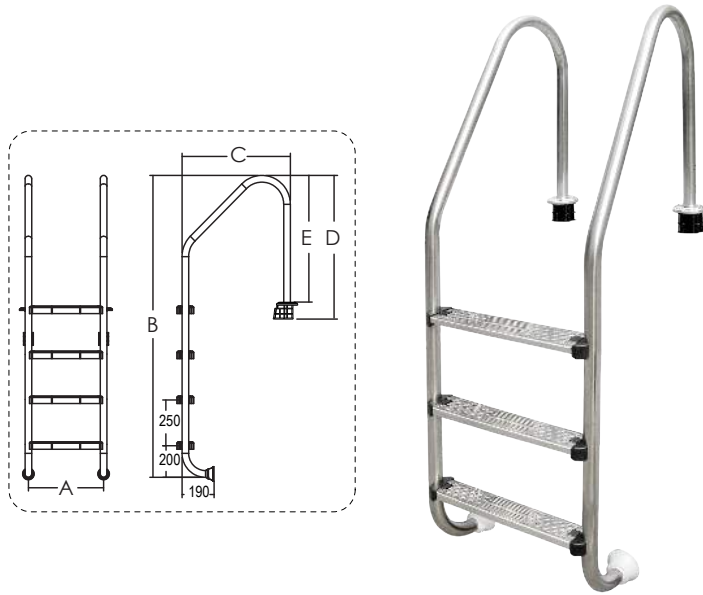
Robust Steel Arms of Pools

Quality ladders provide safety and ease for your pool

Ladder handrails are made of φ42mm tubes in polished stainless steel 304 (or 316 for saltwater pools). Correct selection and proper placement of handrails and ladders add a significant measure of safety to every pool area.

Three kinds of step are available: Plastic, stainless steel, and stainless steel with anti-slip pads. All ladders are available with anchor or flange type fixtures for easy installation.

NSL SERIES



Anchor Type Stainless Steel Step:

Code (AISI-304)	Code (AISI-316)	Model No.	A mm	B mm	C mm	D mm	E mm
88072601	88072606	NSL215-S	493	1320	686	788	708
88072602	88072607	NSL315-S	493	1570	686	788	708
88072603	88072608	NSL415-S	493	1820	686	788	708
88072604	88072609	NSL515-S	493	2070	686	788	708
88072613	88072616	NSL815-S	493	2830	692	699	619

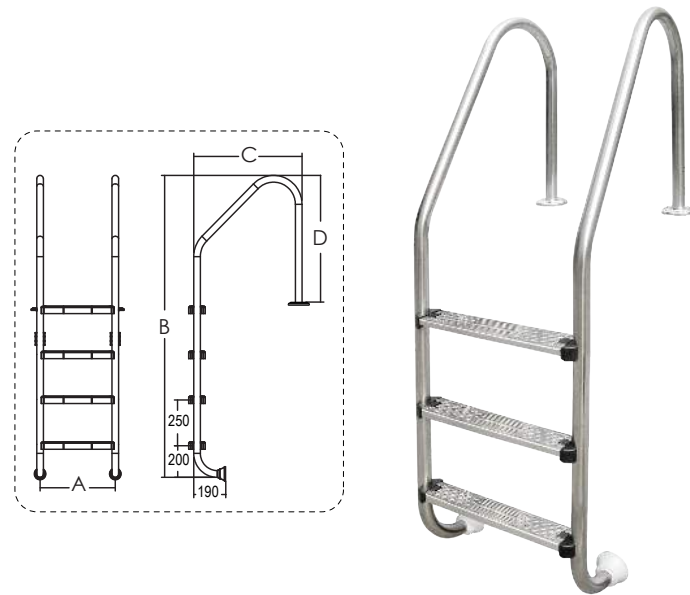
Anchor Type Stainless Steel Step: (with Anti-Slip Pad)

Code (AISI-304)	Code (AISI-316)	Model No.	A mm	B mm	C mm	D mm	E mm
88076501	88076506	NSL215-SR	493	1320	686	788	708
88076502	88076507	NSL315-SR	493	1570	686	788	708
88076503	88076508	NSL415-SR	493	1820	686	788	708
88076504	88076509	NSL515-SR	493	2070	686	788	708
88076513	88076516	NSL815-SR	493	2830	692	699	619

Anchor Type Plastic Step:

Code (AISI-304)	Code (AISI-316)	Model No.	A mm	B mm	C mm	D mm	E mm
88072701	88072706	NSL215-P	476	1320	686	788	708
88072702	88072707	NSL315-P	476	1570	686	788	708
88072703	88072708	NSL415-P	476	1820	686	788	708
88072704	88072709	NSL515-P	476	2070	686	788	708
88072713	88072716	NSL815-P	476	2830	692	699	619

SLF SERIES



Flange Type Stainless Steel Step:

Code (AISI-304)	Code (AISI-316)	Model No.	A mm	B mm	C mm	D mm
88072001	88072006	SLF215-S	493	1320	686	788
88072002	88072007	SLF315-S	493	1570	686	788
88072003	88072008	SLF415-S	493	1820	686	788
88072004	88072009	SLF515-S	493	2070	686	788
88072013	88072016	SLF815-S	493	2830	692	699

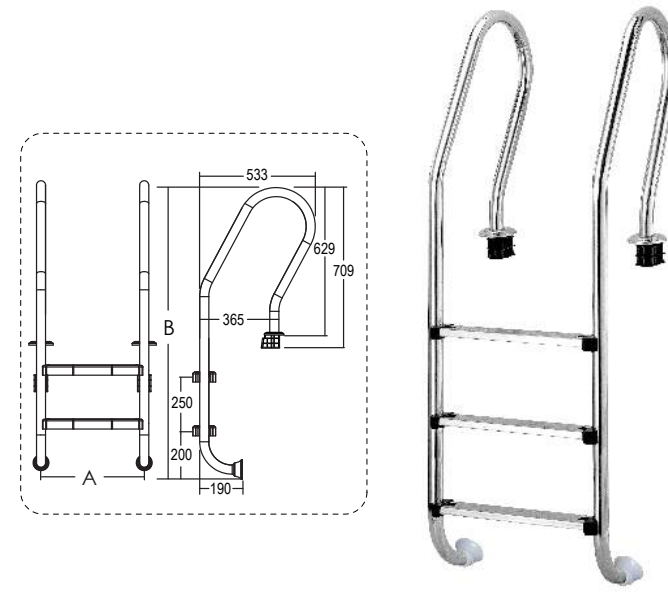
Flange Type Stainless Steel Step: (with Anti-Slip Pad)

Code (AISI-304)	Code (AISI-316)	Model No.	A mm	B mm	C mm	D mm
88077201	88077206	SLF215-SR	493	1320	686	788
88077202	88077207	SLF315-SR	493	1570	686	788
88077203	88077208	SLF415-SR	493	1820	686	788
88077204	88077209	SLF515-SR	493	2070	686	788
88077213	88077216	SLF815-SR	493	2830	692	699

Flange Type Plastic Step:

Code (AISI-304)	Code (AISI-316)	Model No.	A mm	B mm	C mm	D mm
88072101	88072106	SLF215-P	476	1320	686	788
88072102	88072107	SLF315-P	476	1570	686	788
88072103	88072108	SLF415-P	476	1820	686	788
88072104	88072109	SLF515-P	476	2070	686	788
88072113	88072116	SLF815-P	476	2830	692	699

NSF SERIES



Anchor Type Stainless Steel Step:

Code (AISI-304)	Code (AISI-316)	Model No.	A mm	B mm
88072401	88072406	NSF215-S	493	1330
88072402	88072407	NSF315-S	493	1580
88072403	88072408	NSF415-S	493	1830
88072404	88072409	NSF515-S	493	2080

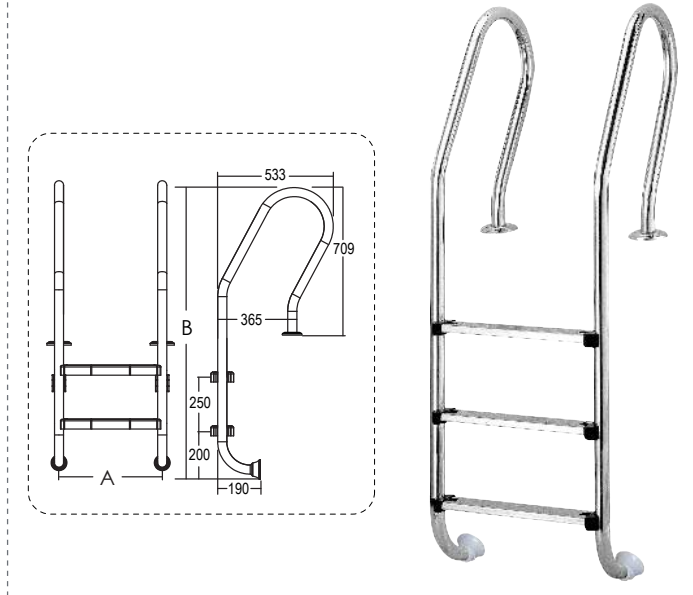
Anchor Type Stainless Steel Step: (with Anti-Slip Pad)

Code (AISI-304)	Code (AISI-316)	Model No.	A mm	B mm
88076701	88076706	NSF215-SR	493	1330
88076702	88076707	NSF315-SR	493	1580
88076703	88076708	NSF415-SR	493	1830
88076704	88076709	NSF515-SR	493	2080

Anchor Type Plastic Step:

Code (AISI-304)	Code (AISI-316)	Model No.	A mm	B mm
88072501	88072506	NSF215-P	476	1330
88072502	88072507	NSF315-P	476	1580
88072503	88072508	NSF415-P	476	1830
88072504	88072509	NSF515-P	476	2080

SFF SERIES



Flange Type Stainless Steel Step:

Code (AISI-304)	Code (AISI-316)	Model No.	A mm	B mm
88071801	88071806	SFF215-S	493	1330
88071802	88071807	SFF315-S	493	1580
88071803	88071808	SFF415-S	493	1830
88071804	88071809	SFF515-S	493	2080

Flange Type Stainless Steel Step: (with Anti-Slip Pad)

Code (AISI-304)	Code (AISI-316)	Model No.	A mm	B mm
88077401	88077406	SFF215-SR	493	1330
88077402	88077407	SFF315-SR	493	1580
88077403	88077408	SFF415-SR	493	1830
88077404	88077409	SFF515-SR	493	2080

Flange Type Plastic Step:

Code (AISI-304)	Code (AISI-316)	Model No.	A mm	B mm
88071901	88071906	SFF215-P	476	1330
88071902	88071907	SFF315-P	476	1580
88071903	88071908	SFF415-P	476	1830
88071904	88071909	SFF515-P	476	2080