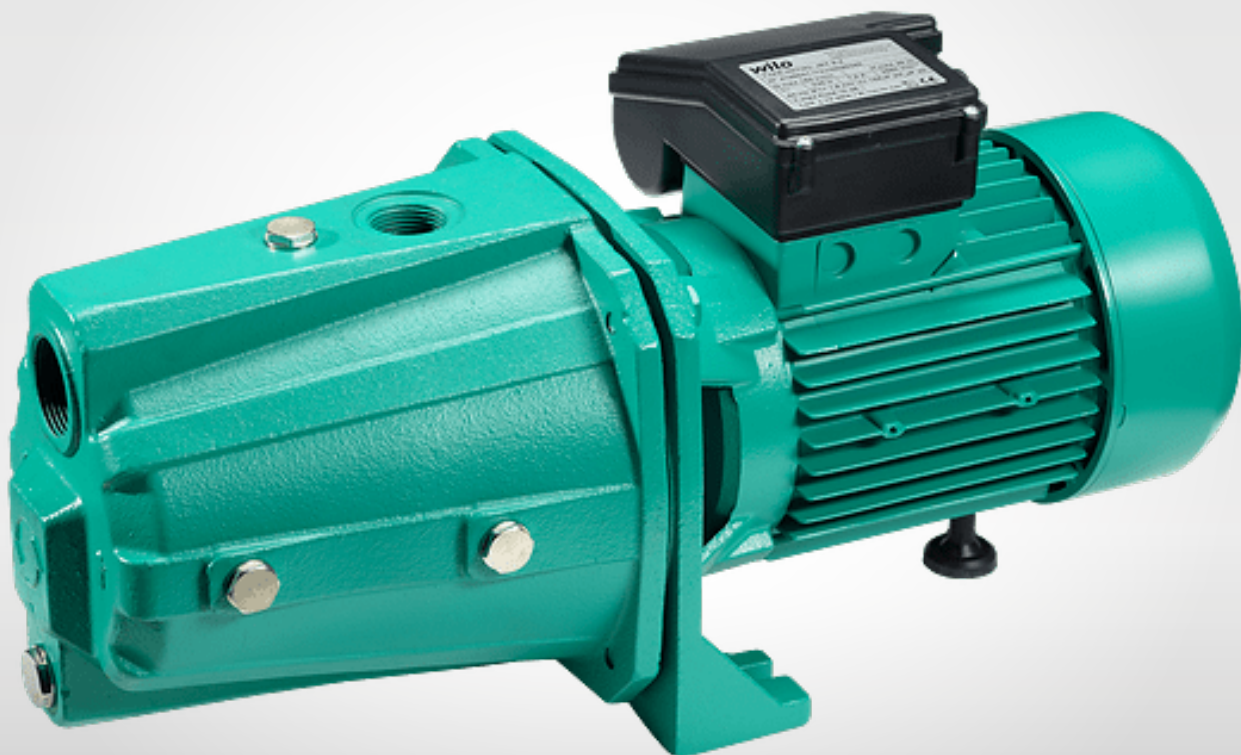


## Wilo-Initial Jet



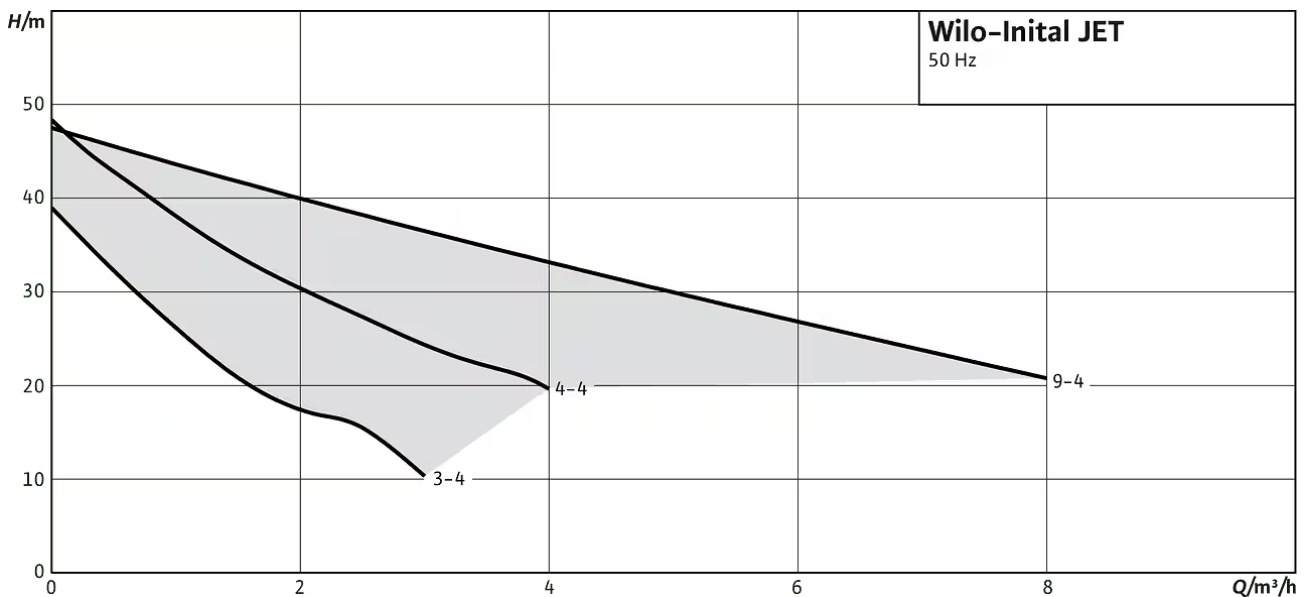




**Your advantages**

- > User-friendly thanks to its low weight and compact dimensions
- > High supply guarantee due to good hydraulic output, self-priming up to 7 m, even at low flow
- > Heavy-duty design for long-lasting operation

**Recommended services**



**Design**

Self-priming multistage centrifugal pumps

**Application**

- > Pumping water from wells
- > Filling, pumping empty, transferring by pumping, irrigation and sprinkling
- > As emergency pump for overflows

**Equipment/function**

- > Single-phase motor (1~230 V)
- > Thermal motor protection switch

**Typekey**

NO VALUE

- > Maximum connection 1~230 V, 50 Hz
- > Inlet pressure max 2 bar
- > Fluid temperature max. +5 °C to +35 °C
- > Max. operating pressure 6 bar
- > Protection class IPX4
- > Connection on the suction and pressure side G1 / G1;  
 (Jet 9-4: G1¼ / G1)

**Materials**

- > EN-GJL 200 grey cast iron pump housing
- > Impeller made of 1.4301 stainless steel (AISI 304);  
 apart from Jet 3-4: Noryl
- > Shaft made of C10 / AISI 304 stainless steel
- > Mechanical seal made of ceramic/carbon + NBR +  
 AISI 304
- > Diffuser/injector made of Noryl
- > Seals made of NBR

**Scope of delivery**

- > Pump
- > Installation and operating instructions

**Product list**

Product description	Article number
Initial JET 3-4	4185607
Initial JET 4-4	4168023
Initial JET 9-4	4186041



## Data sheet

### Hydraulic data

Maximum operating pressure $P_N$	6 bar
Discharge port	G 1
Min. fluid temperature $T_{min}$	5 °C
Max. fluid temperature $T_{max}$	35 °C
Min. ambient temperature $T_{min}$	0 °C
Max. ambient temperature $T_{max}$	40 °C

### Motor data

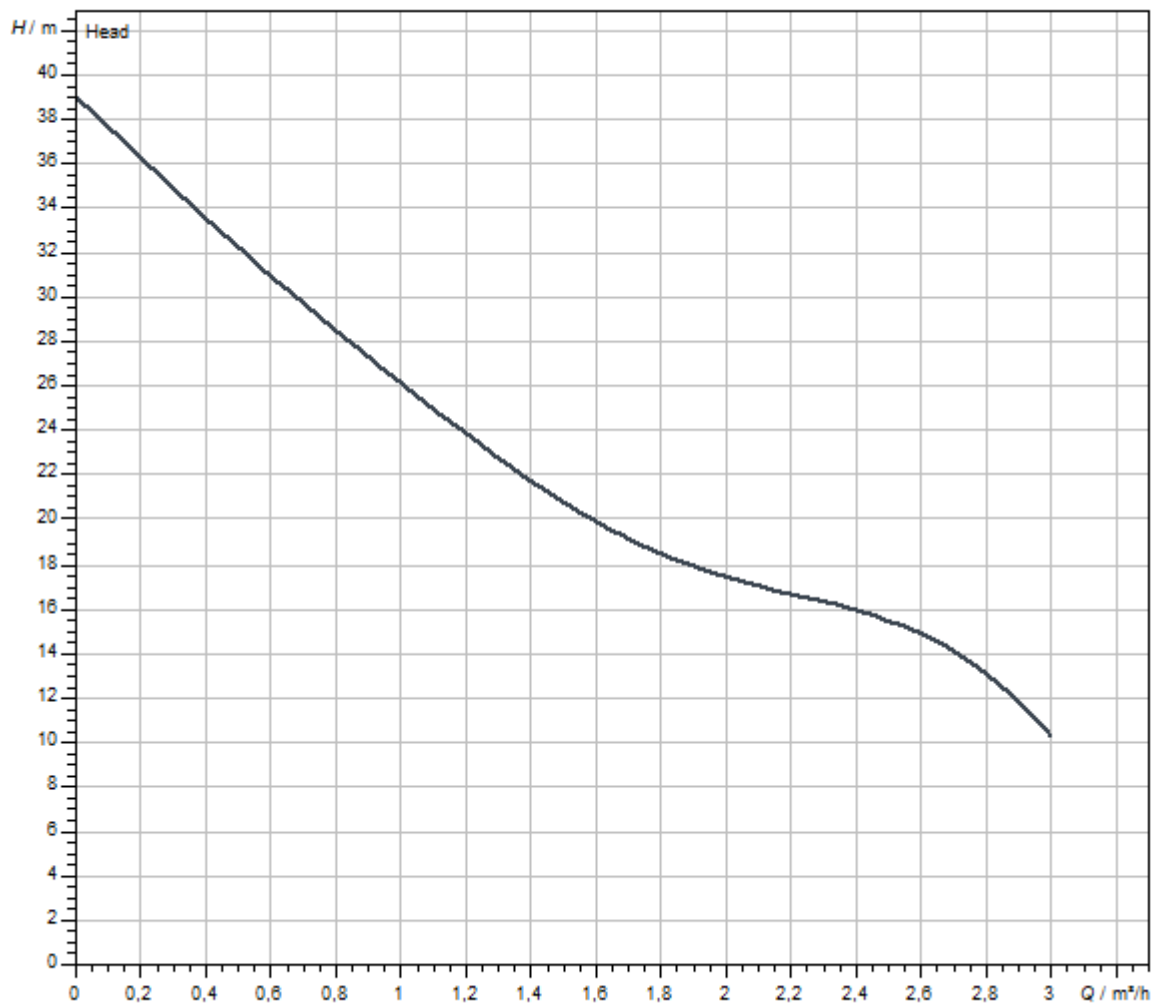
Mains connection	1~230 V, 50 Hz
Voltage tolerance	±10 %
Shaft power $P_2(Q=max.)$ of selected impeller * number of pumps <i>NO VALUE</i>	600 W
Rated power $P_2$	0.6 kW
Rated current $I_N$	3.8 A
Rated speed $n$	2850 1/min
Insulation class	F
Protection class	IPX4

### Materials

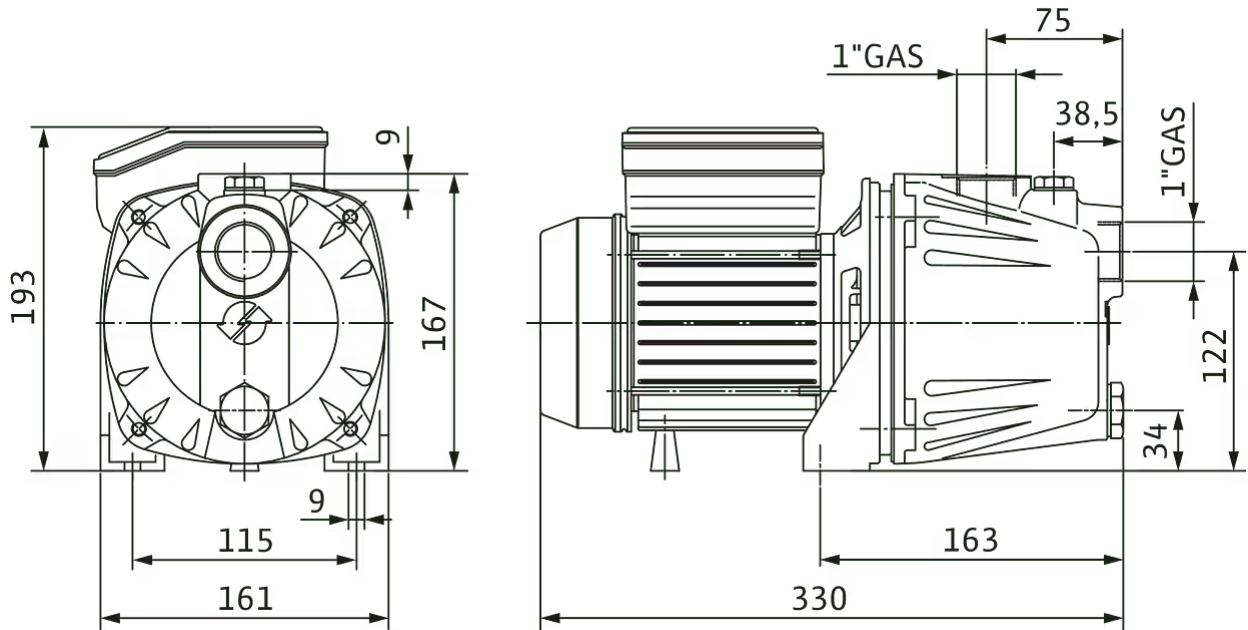
Pump housing	Grey cast iron
Impeller	PPE/PS-GF20
Shaft	Steel
Shaft seal	BQ1PFF
Gasket material	NBR

### Installation dimensions

Pipe connection on the suction side $DN_s$	G 1
Pipe connection on the discharge side $DN_d$	G 1



Wilo-INITIAL JET 3-4



Ordering information

Product data

Brand	Wilo
Product description	Initial JET 3-4
Article number	<b>4185607</b>
EAN number	4048482378237
Colour	green/black
Minimum order quantity	1
Date of sales availability	2018-09-01

Dimension, weight

Length with packaging	350 mm
Length <i>L</i>	330 mm
Height with packaging	212 mm
Height <i>H</i>	193 mm
Width with packaging	181 mm
Width <i>W</i>	161 mm
Gross weight, approx. <i>m</i>	9.9 kg
Net weight, approx. <i>m</i>	9.4 kg

Packaging

Packaging type	Cardboard box
Packaging property	Transport packaging
Pieces per pallet	1
Number per layer	1

Self-priming single-stage jet pump for water supply, irrigation and rainwater utilisation. Self-priming up to 7

m. Electrical connection via a terminal box. All parts that come into contact with fluids are corrosion-resistant.

#### Materials

Pump housing	Grey cast iron
Shaft	Steel
Shaft seal	BQ1PFF
Gasket material	NBR
Impeller	PPE/PS-GF20

#### Operating Data

Min. fluid temperature $T_{min}$	5 °C
Max. fluid temperature $T_{max}$	35 °C
Maximum operating pressure $p$	6.0 bar
Discharge port	G 1
Max. ambient temperature $T_{max}$	40 °C

#### Motor data

Mains connection	1~230 V, 50 Hz
Voltage tolerance	±10 %
Rated power $P_2$	0.6 kW
Rated current $I_N$	3.8 A
Rated speed $n$	2850 1/min
Insulation class	F
Protection class	IPX4

#### Installation dimensions

Pipe connection on the suction side $DNs$	G 1
Pipe connection on the discharge side $DNd$	G 1

#### Ordering information

Net weight, approx. $m$	9.4 kg
Brand	Wilo
Product description	Initial JET 3-4
Article number	<b>4185607</b>

#### Services

With Wilo as your partner, you can not only be sure of choosing high-quality product solutions, but also of benefiting from a comprehensive, worry-free package of well thought-out services. We collaborate to develop a service concept tailored to your individual needs; with our expertise and personal consultancy, we make sure that the operation of your systems is as energy-efficient, reliable and economical as possible. All the while our competent Wilo service technicians are ready to assist you with fast, reliable and on-time support.

#### Recommended services

Wilo-Live Assistant Service	2216415
-----------------------------	---------

#### More suitable services



Multi 3-5	2219704
Service Package M FWJ/HiMulti 3-5	2219675
Service Package S FWJ/HiMulti 3-5	2219646
Supervision FWJ / HiMulti 3-5	2219328
Installation FWJ / HiMulti 3-5	2219363
Commissioning FWJ / HiMulti 3-5	2219394
Maintenance BASIC FWJ/HiMulti 3-5	2219534
Maintenance COMFORT FWJ/HiMulti 3-5	2219496
Maintenance PREMIUM FWJ/HiMulti 3-5	2219549
System Optimisation FWJ / HiMulti 3-5	2219258
Energy Solutions FWJ / HiMulti 3-5	2219293
Repair FWJ/HiMulti 3-5	2219617



## Data sheet

### Hydraulic data

Maximum operating pressure $P_N$	6 bar
Discharge port	G 1
Min. fluid temperature $T_{min}$	5 °C
Max. fluid temperature $T_{max}$	35 °C
Min. ambient temperature $T_{min}$	0 °C
Max. ambient temperature $T_{max}$	40 °C

### Motor data

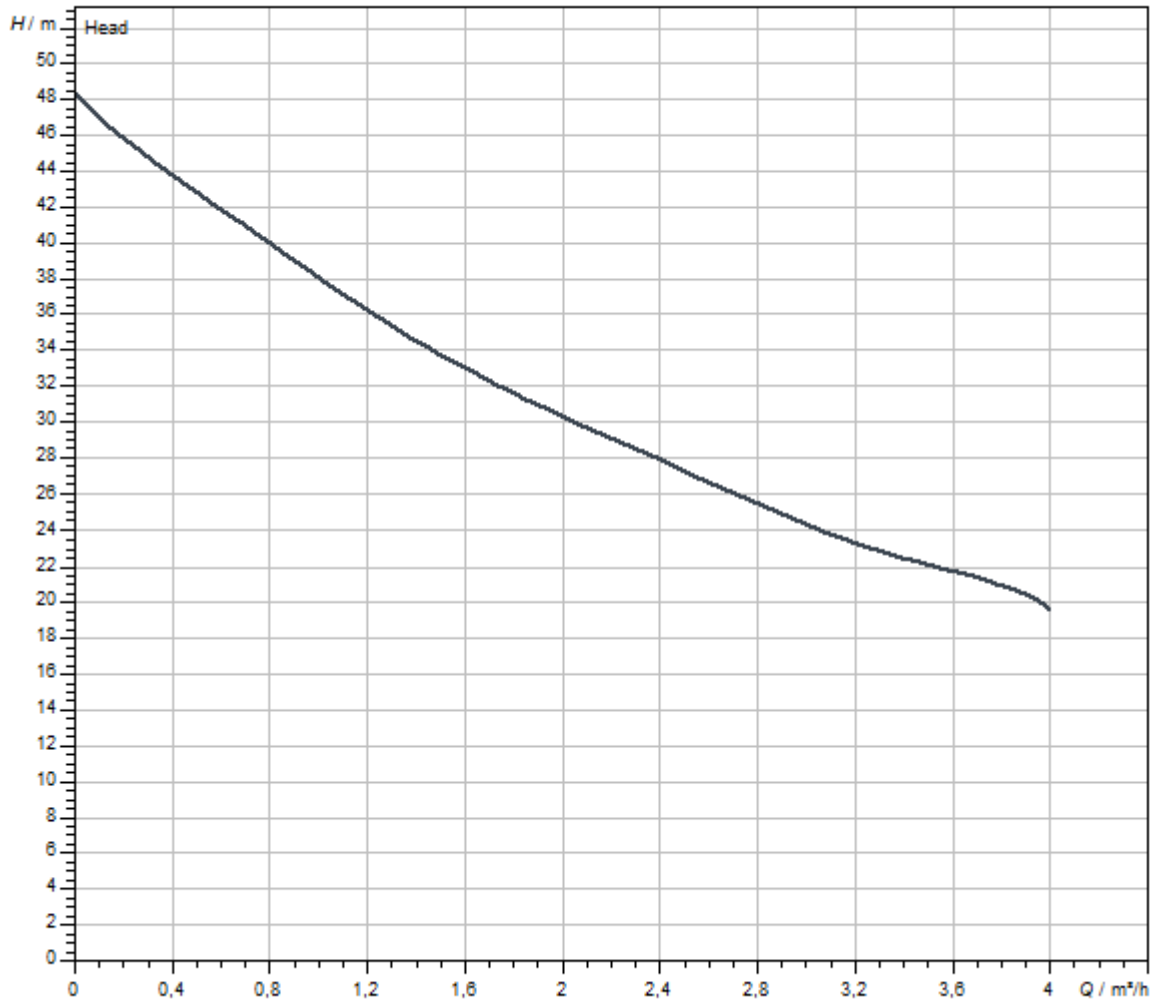
Mains connection	1~230 V, 50 Hz
Voltage tolerance	±10 %
Shaft power $P_2(Q=max.)$ of selected impeller * number of pumps <i>NO VALUE</i>	750 W
Rated power $P_2$	0.75 kW
Rated current $I_N$	5 A
Rated speed $n$	2850 1/min
Insulation class	F
Protection class	IPX4

### Materials

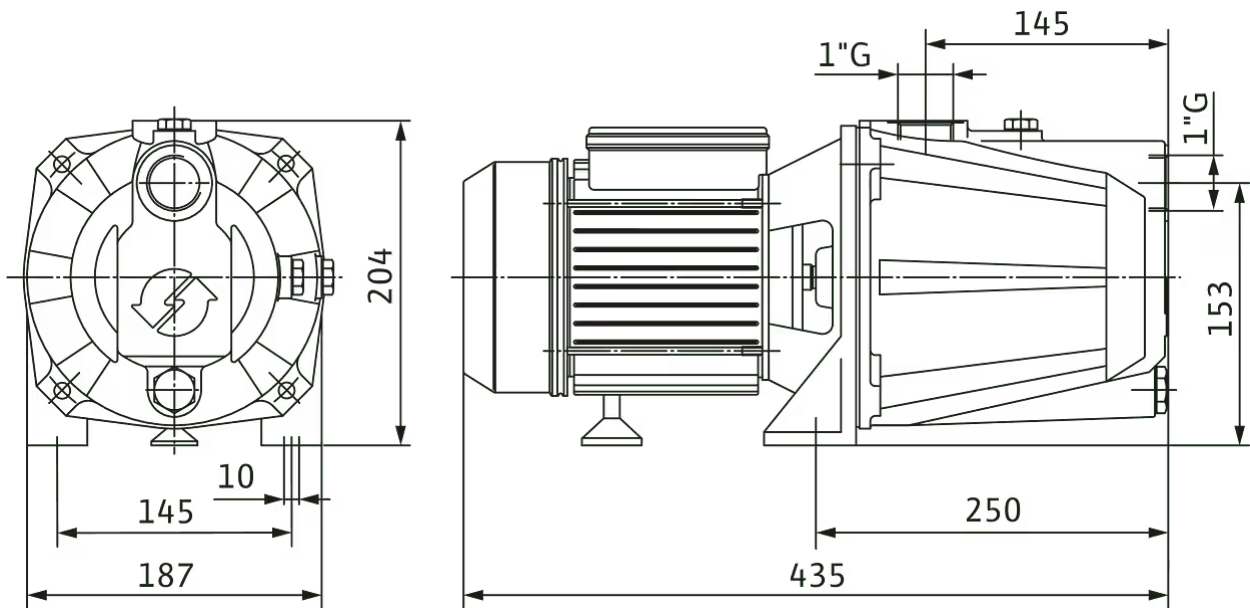
Pump housing	Grey cast iron
Impeller	Stainless steel
Shaft	Steel
Shaft seal	BQ1PFF
Gasket material	NBR

### Installation dimensions

Pipe connection on the suction side $DN_s$	G 1
Pipe connection on the discharge side $DN_d$	G 1



Wilo-INITIAL JET 4-4



Ordering information

Product data

Brand	Wilo
Product description	Initial JET 4-4
Article number	<b>4168023</b>
EAN number	4048482250854
Colour	green/black
Minimum order quantity	1
Date of sales availability	2018-09-01

Dimension, weight

Length with packaging	453 mm
Length <i>L</i>	435 mm
Height with packaging	241 mm
Height <i>H</i>	204 mm
Width with packaging	201 mm
Width <i>W</i>	187 mm
Gross weight, approx. <i>m</i>	15.9 kg
Net weight, approx. <i>m</i>	15.4 kg

Packaging

Packaging type	Cardboard box
Packaging property	Transport packaging
Pieces per pallet	1
Number per layer	1

Self-priming single-stage jet pump for water supply, irrigation and rainwater utilisation. Self-priming up to 7

m. Electrical connection via a terminal box. All parts that come into contact with fluids are corrosion-resistant.

#### Materials

Pump housing	Grey cast iron
Shaft	Steel
Shaft seal	BQ1PFF
Gasket material	NBR
Impeller	Stainless steel

#### Operating Data

Min. fluid temperature $T_{min}$	5 °C
Max. fluid temperature $T_{max}$	35 °C
Maximum operating pressure $p$	6.0 bar
Discharge port	G 1
Max. ambient temperature $T_{max}$	40 °C

#### Motor data

Mains connection	1~230 V, 50 Hz
Voltage tolerance	±10 %
Rated power $P_2$	0.75 kW
Rated current $I_N$	5 A
Rated speed $n$	2850 1/min
Insulation class	F
Protection class	IPX4

#### Installation dimensions

Pipe connection on the suction side $DNs$	G 1
Pipe connection on the discharge side $DNd$	G 1

#### Ordering information

Net weight, approx. $m$	15.4 kg
Brand	Wilo
Product description	Initial JET 4-4
Article number	<b>4168023</b>

#### Services

With Wilo as your partner, you can not only be sure of choosing high-quality product solutions, but also of benefiting from a comprehensive, worry-free package of well thought-out services. We collaborate to develop a service concept tailored to your individual needs; with our expertise and personal consultancy, we make sure that the operation of your systems is as energy-efficient, reliable and economical as possible. All the while our competent Wilo service technicians are ready to assist you with fast, reliable and on-time support.

#### Recommended services

Wilo-Live Assistant Service	2216415
-----------------------------	---------

#### More suitable services

Multi 3-5	2219704
Service Package M FWJ/HiMulti 3-5	2219675
Service Package S FWJ/HiMulti 3-5	2219646
Supervision FWJ / HiMulti 3-5	2219328
Installation FWJ / HiMulti 3-5	2219363
Commissioning FWJ / HiMulti 3-5	2219394
Maintenance BASIC FWJ/HiMulti 3-5	2219534
Maintenance COMFORT FWJ/HiMulti 3-5	2219496
Maintenance PREMIUM FWJ/HiMulti 3-5	2219549
System Optimisation FWJ / HiMulti 3-5	2219258
Energy Solutions FWJ / HiMulti 3-5	2219293
Repair FWJ/HiMulti 3-5	2219617



## Data sheet

### Hydraulic data

Maximum operating pressure $P_N$	6 bar
Discharge port	G 1
Min. fluid temperature $T_{min}$	5 °C
Max. fluid temperature $T_{max}$	35 °C
Min. ambient temperature $T_{min}$	0 °C
Max. ambient temperature $T_{max}$	40 °C

### Motor data

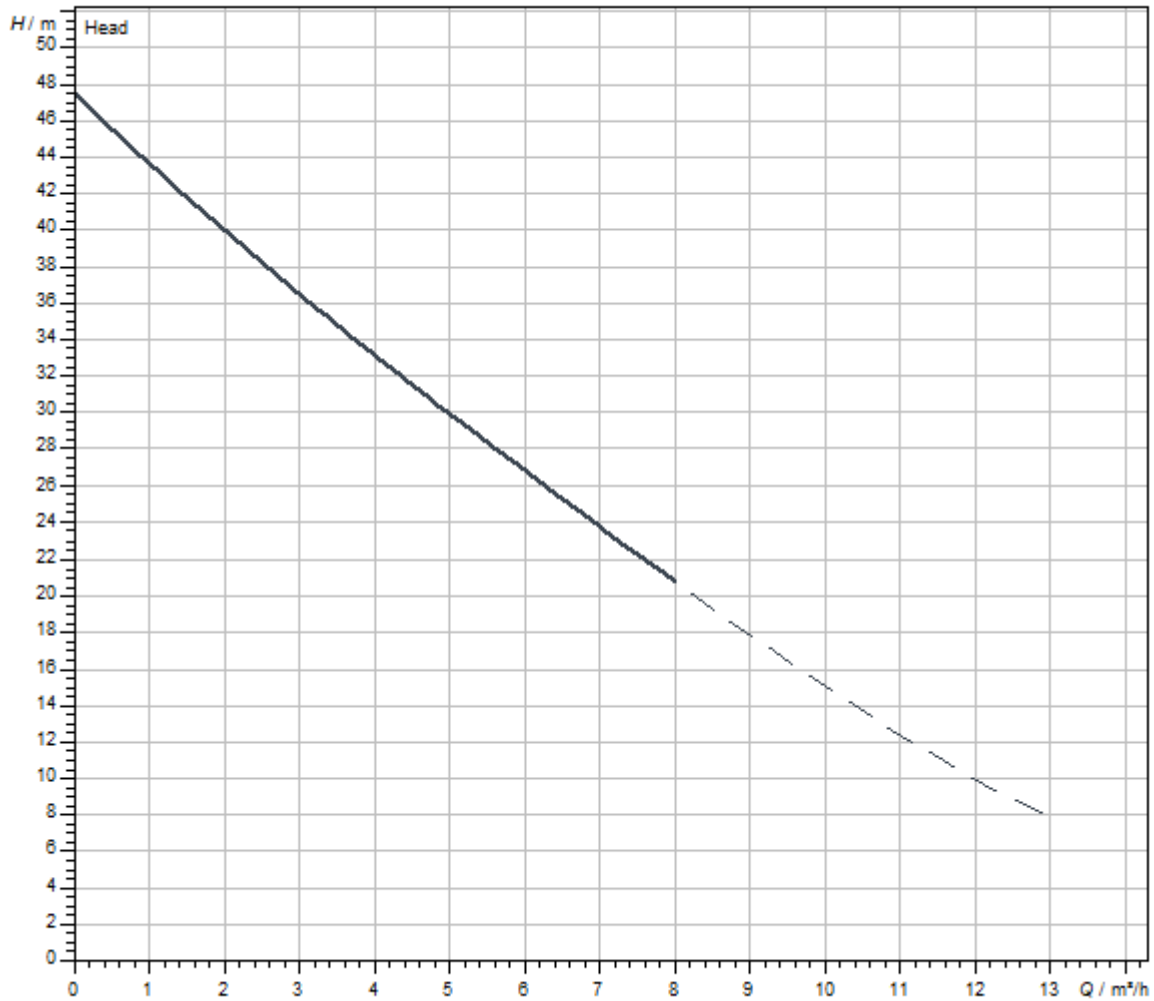
Mains connection	1~230 V, 50 Hz
Voltage tolerance	±10 %
Shaft power $P_2(Q=max.)$ of selected impeller * number of pumps <i>NO VALUE</i>	1100 W
Rated power $P_2$	1.1 kW
Rated current $I_N$	7 A
Rated speed $n$	2850 1/min
Insulation class	F
Protection class	IPX4

### Materials

Pump housing	Grey cast iron
Impeller	Stainless steel
Shaft	Steel
Shaft seal	BQ1PFF
Gasket material	NBR

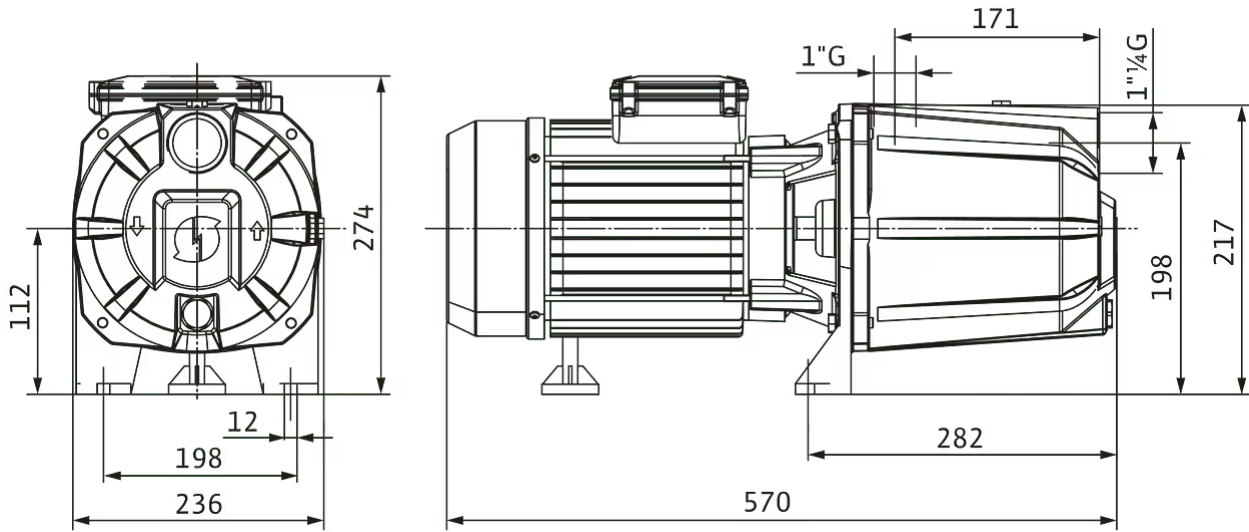
### Installation dimensions

Pipe connection on the suction side $DN_s$	G 1¼
Pipe connection on the discharge side $DN_d$	G 1





## Wilo-INITIAL JET 9-4



## Ordering information

### Product data

Brand	Wilo
Product description	Initial JET 9-4
Article number	<b>4186041</b>
EAN number	4048482384016
Colour	green/black
Minimum order quantity	1
Date of sales availability	2018-09-01

### Dimension, weight

Length with packaging	580 mm
Length <i>L</i>	570 mm
Height with packaging	280 mm
Height <i>H</i>	274 mm
Width with packaging	240 mm
Width <i>W</i>	236 mm
Gross weight, approx. <i>m</i>	29.4 kg
Net weight, approx. <i>m</i>	28.9 kg

### Packaging

Packaging type	Cardboard box
Packaging property	Transport packaging
Pieces per pallet	1
Number per layer	1

Self-priming single-stage jet pump for water supply, irrigation and rainwater utilisation. Self-priming up to 7

m. Electrical connection via a terminal box. All parts that come into contact with fluids are corrosion-resistant.

#### Materials

Pump housing	Grey cast iron
Shaft	Steel
Shaft seal	BQ1PFF
Gasket material	NBR
Impeller	Stainless steel

#### Operating Data

Min. fluid temperature $T_{min}$	5 °C
Max. fluid temperature $T_{max}$	35 °C
Maximum operating pressure $p$	6.0 bar
Discharge port	G 1
Max. ambient temperature $T_{max}$	40 °C

#### Motor data

Mains connection	1~230 V, 50 Hz
Voltage tolerance	±10 %
Rated power $P_2$	1.1 kW
Rated current $I_N$	7 A
Rated speed $n$	2850 1/min
Insulation class	F
Protection class	IPX4

#### Installation dimensions

Pipe connection on the suction side $DNs$	G 1 ¼
Pipe connection on the discharge side $DNd$	G 1

#### Ordering information

Net weight, approx. $m$	28.9 kg
Brand	Wilo
Product description	Initial JET 9-4
Article number	<b>4186041</b>

#### Services

With Wilo as your partner, you can not only be sure of choosing high-quality product solutions, but also of benefiting from a comprehensive, worry-free package of well thought-out services. We collaborate to develop a service concept tailored to your individual needs; with our expertise and personal consultancy, we make sure that the operation of your systems is as energy-efficient, reliable and economical as possible. All the while our competent Wilo service technicians are ready to assist you with fast, reliable and on-time support.

#### Recommended services

Wilo-Live Assistant Service	2216415
-----------------------------	---------

#### More suitable services

Multi 3-5	2219704
Service Package M FWJ/HiMulti 3-5	2219675
Service Package S FWJ/HiMulti 3-5	2219646
Supervision FWJ / HiMulti 3-5	2219328
Installation FWJ / HiMulti 3-5	2219363
Commissioning FWJ / HiMulti 3-5	2219394
Maintenance BASIC FWJ/HiMulti 3-5	2219534
Maintenance COMFORT FWJ/HiMulti 3-5	2219496
Maintenance PREMIUM FWJ/HiMulti 3-5	2219549
System Optimisation FWJ / HiMulti 3-5	2219258
Energy Solutions FWJ / HiMulti 3-5	2219293
Repair FWJ/HiMulti 3-5	2219617

WILO SE  
Wilopark 1  
44263 Dortmund  
Germany  
T +49 231 4102-0  
F +49 231 4102-7363