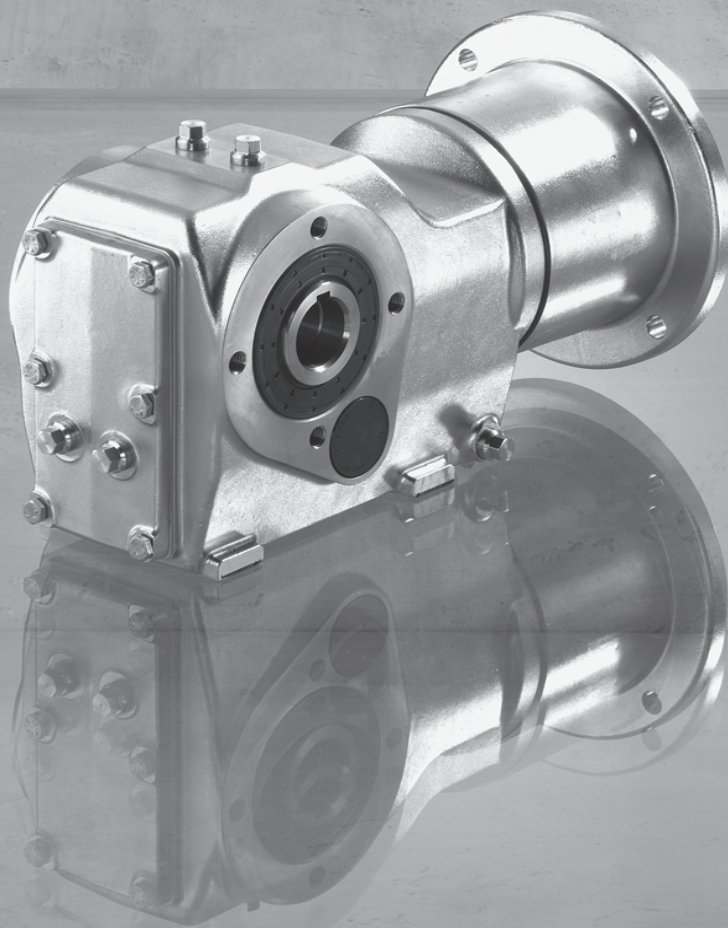


## Catalog





### KES.37 and RESF37 Series Stainless Steel Gear Units

 [www.famcocorp.com](http://www.famcocorp.com)

 E-mail: [info@famcocorp.com](mailto:info@famcocorp.com)

 @famco\_group

 Tel: ۰۲۱-۴۸۰۰۰۰۴۹

 Fax: ۰۲۱ - ۴۴۹۹۴۶۴۲

تهران، کیلومتر ۲۱ بزرگراه لشگری (جاده مخصوص کرج)

روبروی پالایشگاه نفت پارس، پلاک ۱۲






## Contents

<b>1</b>	<b>Product description.....</b>	<b>5</b>
1.1	Housing design.....	5
1.2	Motor mounting .....	5
1.3	Surface protection .....	5
1.4	Ambient temperature.....	5
<b>2</b>	<b>Mounting positions.....</b>	<b>6</b>
2.1	Key to the mounting position sheets .....	6
2.2	KES.37 helical-bevel gear units .....	7
2.3	RESF37 helical gear units.....	9
<b>3</b>	<b>Operating notes .....</b>	<b>10</b>
3.1	Lubricants.....	10
3.2	Lubricant fill quantities.....	12
<b>4</b>	<b>Gear unit dimensions .....</b>	<b>13</b>
<b>5</b>	<b>Selection tables for AESM adapters (IEC and NEMA variant) .....</b>	<b>14</b>
5.1	KES.37 with AESM adapter .....	14
5.2	RESF37 with AESM adapter .....	15
<b>6</b>	<b>Dimension sheets – [in] .....</b>	<b>16</b>
6.1	KES.37 .....	16
6.2	RESF37.....	22
<b>7</b>	<b>Available output shafts .....</b>	<b>24</b>
7.1	K Series inch solid shafts .....	24
7.2	K Series metric solid shafts .....	25
7.3	K Series inch hollow shafts .....	26
7.4	K Series metric hollow shafts .....	27
7.5	K Series TorqLOC .....	28
7.6	R Series inch solid shafts .....	29
7.7	R Series metric solid shafts.....	30
<b>8</b>	<b>Appendix .....</b>	<b>31</b>
8.1	Address list.....	31
8.2	Index.....	39



## 1 Product description

	<b>INFORMATION</b>
	<p>The present addendum to the "Gear Units" catalog comprises the KES.37 and RESF37 stainless steel gear units.</p> <p>Please use the data specified in this publication. This document does not replace the comprehensive "Gear Units" catalog.</p>

### 1.1 Housing design

The efficiency-optimized KES.37.. helical-bevel gear units are characterized by an optimized housing design and the use of stainless steel. Recesses that can collect dirt and liquid have been eliminated. Thus the gear unit surface is easy to clean and is chemical resistant.

### 1.2 Motor mounting

The IEC and NEMA adapters, also made of stainless steel, allow for a variable motor mounting.

### 1.3 Surface protection

The stainless steel variant is resistant to corrosion according to the operating conditions listed in section "Cleaning recommendation" in the corresponding operating instructions.

### 1.4 Ambient temperature

Gear units/gearmotors can be used at ambient temperatures between - 20 °C and + 40 °C . Consult SEW-EURODRIVE if the ambient temperatures exceed this temperature range.



## 2 Mounting positions

### 2.1 Key to the mounting position sheets

#### 2.1.1 Symbols used

The following table shows the symbols used in the mounting position sheets and their meaning:

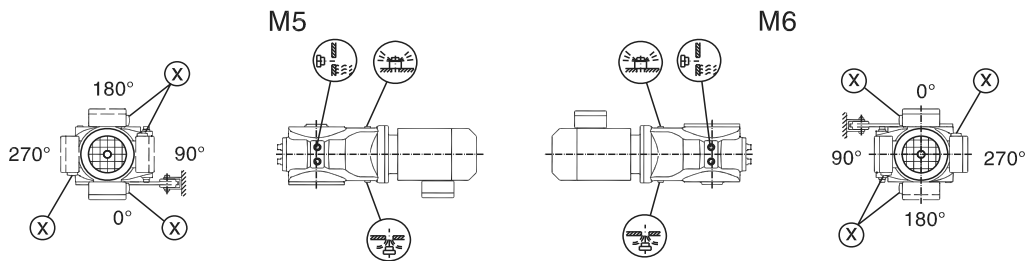
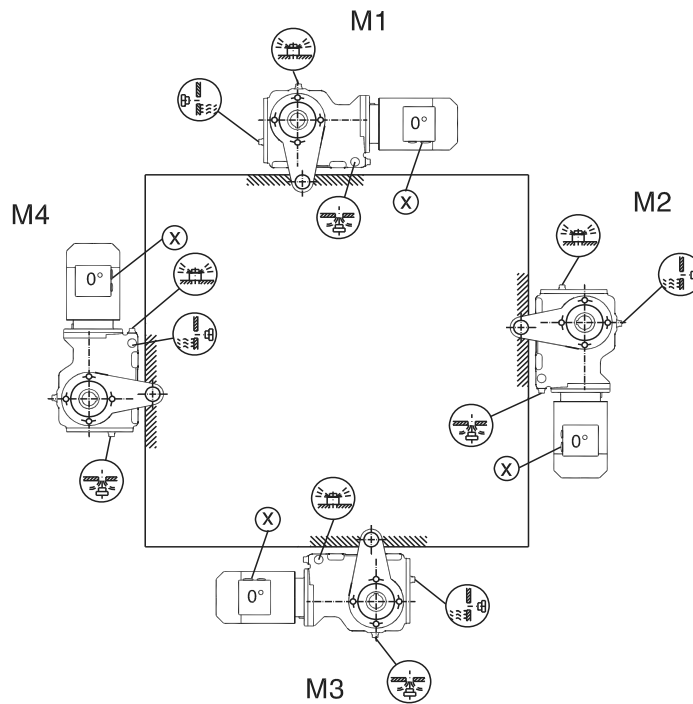
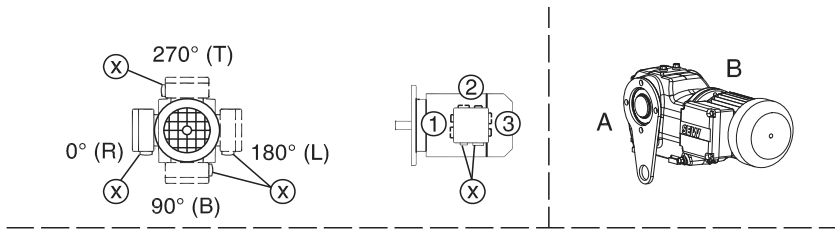
Symbol	Meaning
	Breather valve
	Oil level plug
	Oil drain plug

	<b>INFORMATION</b>
	<p><b>Notes on the shafts illustrated on the mounting position sheets.</b></p> <p>Observe the following information regarding the illustrations on the mounting position sheets:</p> <ul style="list-style-type: none"> <li>• <b>For gear units with solid shaft:</b> The displayed shaft is always on the A end.</li> <li>• <b>For shaft-mounted gear units:</b> The shaft with dashed lines represents the customer shaft. The output end (= shaft position) is always shown on the A end.</li> </ul>
	<b>INFORMATION</b>
	<p><b>Notes on the illustrated motors.</b></p> <p>Motors are only represented symbolically on the mounting position sheets.</p>



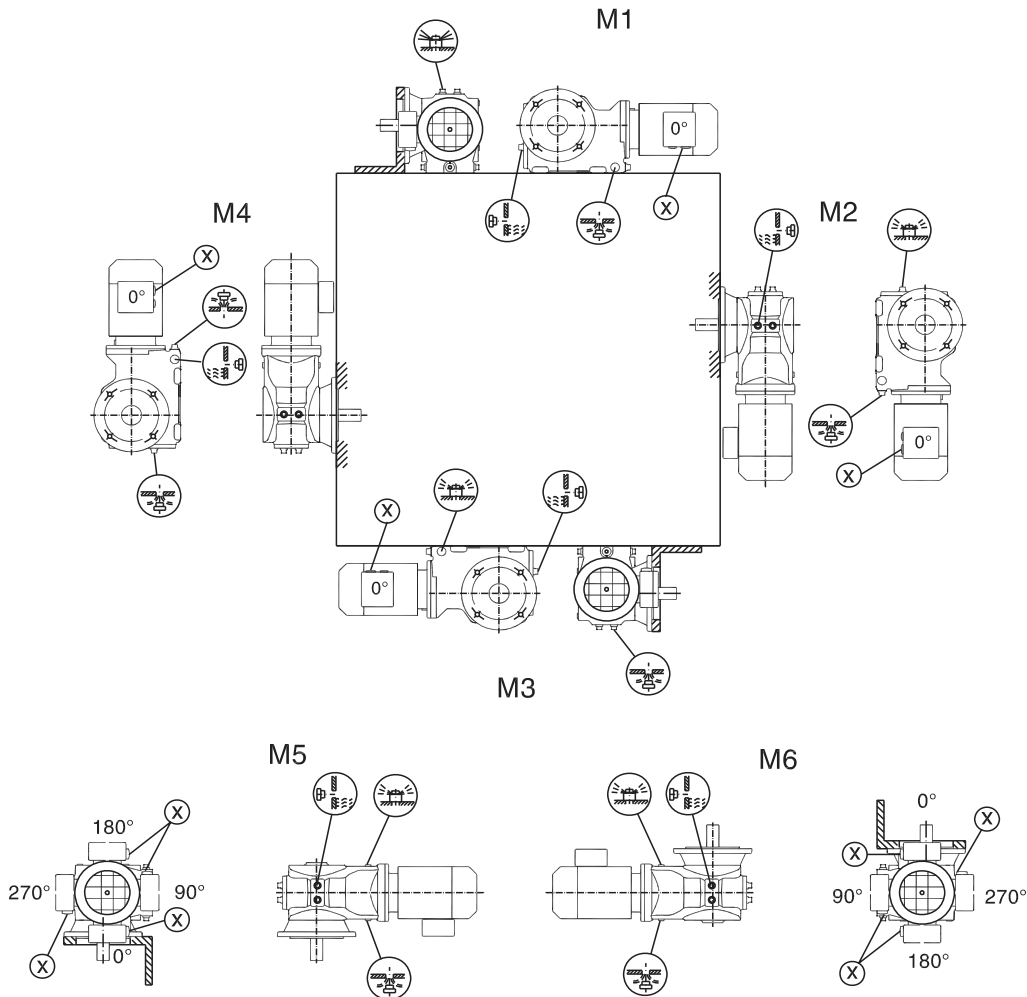
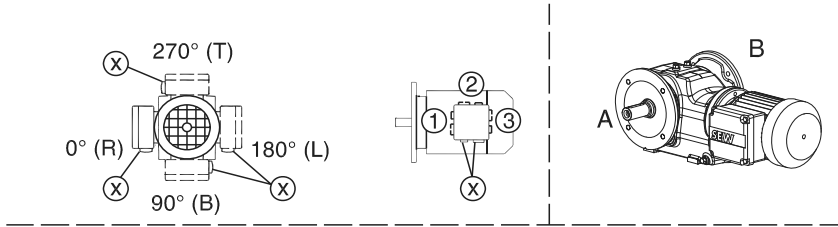
**2.2 KES.37 helical-bevel gear units**

33 043 00 09





33 044 00 09

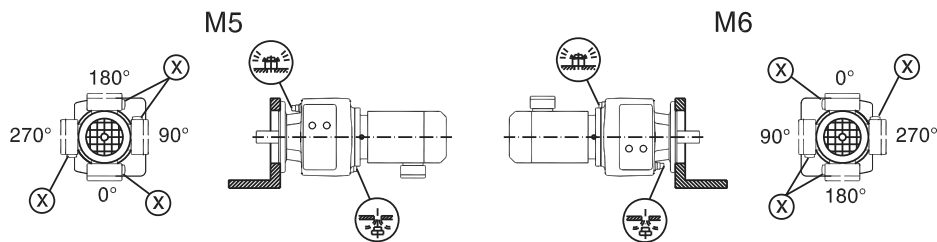
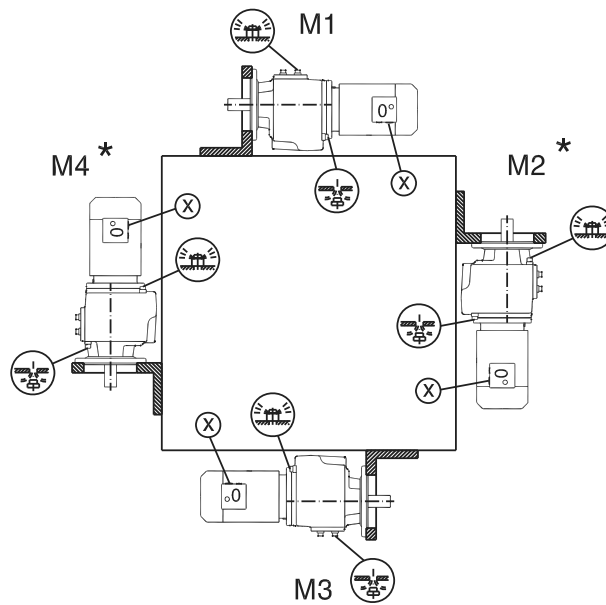
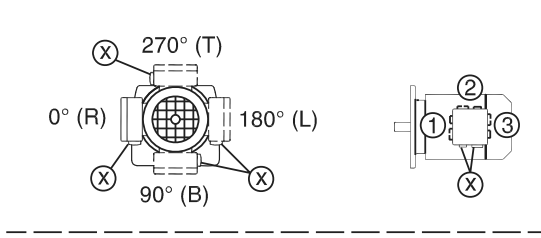






**2.3 RESF37 helical gear units**

01 166 00 09



RESF37



M1, M2, M3, M4, M5, M6

2385788555



### 3 Operating notes

#### 3.1 Lubricants

##### 3.1.1 General information

Unless a special arrangement is made, SEW-EURODRIVE supplies the drives with a lubricant fill adapted for the specific gear unit and mounting position. The mounting position, M1 – M6, must be specified with the order. See "Mounting positions", page 6. You must adapt the lubricant fill if you change the mounting position subsequently (→ "Lubricant fill quantities", page 12).

##### 3.1.2 Lubricant table

The lubricant table on the following page shows the permitted lubricants for SEW-EURODRIVE gear units. Observe the following key to the lubricant table.

##### Key to the lubricant table


##### Abbreviations, meaning of shading and notes:

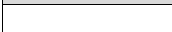
CLP PG = Polyglycol (W gear units, conforms to USDA-H1)

CLP HC = Synthetic hydrocarbons

CLP HC NSF H1 = Synthetic hydrocarbons (NSF H1 certification)

E = Ester oil (water hazard classification 1)

 = Synthetic lubricant (= synthetic-based roller bearing grease)

 = Mineral lubricant (= mineral-based rolling bearing grease)

4) Observe the critical starting behavior at low temperatures.

6) Ambient temperature





Lubricant for the food industry (food grade oil)



Biodegradable oil (lubricant for agriculture, forestry, and water management)

33 196 00 09

	6)	DIN (ISO)	ISO, NLGI	Mobil®	Shell	AGIP	ARAL	bp	TEXACO	Castrol	FUCHS	TOTAL
KES 		CLP PG	VG 220	Mobil Glygolye 220	Shell Tiveala S 220	Kübersynth GH 6-220	Aral Degol GS 220	BP Enersyn SG-XP 220	Syntube CLP220	Tribol 800/220	Renolin PG 220	Carter SY 220
	4)		VG 220	Mobil SHC 630	Shell Omala HD220	Kübersynth GEM 4-220 N	Aral Degol PAS 220		Pimacle EP220	Tribol 1510/220	Renolin Unisyn CLP 220	
	4)		VG 150	Mobil SHC 629	Shell Omala HD 150	Kübersynth GEM 4-150 N			Pimacle EP150		Renolin Unisyn CLP 150	Carter SH 150
	4)		VG 68	Mobil SHC 626								Renolin Unisyn CLP 68
RES 		CLP HC NSF H1	VG 32	Mobil SHC 624	Shell Cassida Fluid GL 460	Küüber-Summit HySyn FG-32			Cetus PAO 46		Renolin Unisyn OL32	Dacris SH 32
			VG 460		Shell Cassida Fluid GL 460	Küüberöl 4UH1-460 N					Gerayn SF 460	
			VG 220		Shell Cassida Fluid GL 220	Küüberöl 4UH1-220 N					Optiflex GT 460	
	4)		VG 68		Shell Cassida Fluid HF 68	Küüberöl 4UH1-68 N					Optiflex GT 220	
		E	VG 460		Küüberöl CA2-460					Optiflex HY 68	Plantogear 460 S	

2295553419



### 3.2 Lubricant fill quantities

The specified fill quantities are guide values. The precise values vary depending on the gear ratio. Check the oil level plug for the exact oil quantity.

The following table shows guide values for lubricant fill quantities in relation to the mounting position M1 – M6.

#### KES.37

Gear unit	Fill quantity in liters					
	M1	M2	M3	M4	M5	M6
KES.37	0.50	1.10	1.10	1.40	1.10	1.10

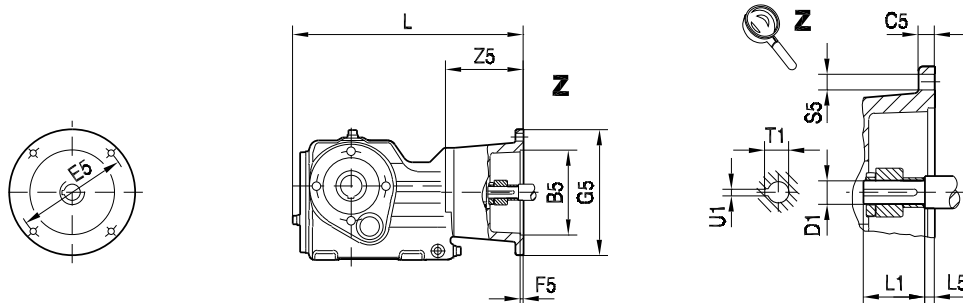
#### RESF37

Gear unit	Fill quantity in liters					
	M1	M2	M3	M4	M5	M6
RESF37	0.40	1.00	1.00	1.25	1.00	1.00

## 4 Gear unit dimensions

The dimensions of the gear units are described below:

33 139 00 09



2190650891

B5	Centering diameter	L1	Maximum insertion depth of motor shaft
C5	Flange thickness	L5	Distance between shaft shoulder and flange
D1	Coupling bore diameter	S5	Tapped hole/clearance hole
E5	Hole circle diameter	T1	Bore with groove
F5	Centering depth	U1	Groove width
G5	Flange diameter	Z5	Adapter length
L	Total length of the gear unit with adapter		



## 5 Selection tables for AESM adapters (IEC and NEMA variant)

### 5.1 KES.37 with AESM adapter

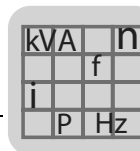
The following table lists the technical data:

	i	n <sub>a</sub> [rpm]	T <sub>a max</sub> [lb-in]	F <sub>Ra</sub> [lb]	φ (R) [ ' ]	AESM			
						IEC 63	IEC 71 NEMA 56	IEC 80 NEMA143	IEC 90 NEMA145
<b>KESA37</b> 3	3.98	427	1105	294	13				
	5.36	317	1240	324	13				
	6.37	267	1285	346	13				
	6.80	250	1330	353	13				
	7.96	214	1370	375	13				
	8.91	191	1415	391	12				
	10.49	162	1415	429	12				
	12.14	140	1415	463	12				
	13.08	130	1460	472	9				
	15.31	111	1550	495	8				
	17.15	99	1595	517	8				
	20.19	84	1635	555	8				
	23.36	73	1725	580	8				
	24.99	68	1770	593	8				
	28.83	59	1770	638	8				
	29.96	57	1770	650	7				
	35.57	48	1770	708	7				
	37.97	45	1770	731	7				
	44.46	38	1770	787	7				
	49.79	34	1770	830	7				
58.60	29	1770	895	7					
67.80	25	1770	955	7					
72.54	23	1770	985	7					
83.69	20	1770	1048	7					
97.81	17	1770	1122	7					
106.38	16	1770	1162	7					



m [lb]		AESM			
IEC	s	63	71	80	90
KESA37		36	36	45	45
NEMA		-	56	143	145
KESA37		-	38	42	42

KESF: + 7.3 lb/ KESAF: + 5.5 lb



## 5.2 RESF37 with AESM adapter

The following table lists the technical data:

$n_e = 1700 \text{ rpm}$						1770 lb-in			
	i	$n_a$ [rpm]	$T_{a \text{ max}}$ [lb-in]	$F_{Ra}$ [lb]	$\varphi$ (R) [ ' ]	AESM			
						IEC 63	IEC 71 NEMA 56	IEC 80 NEMA143	IEC 90 NEMA145
RESF37 	3.41	499	990	123	14				
	4.05	420	1080	107	13				
	4.32	393	1115	101	13				
	5.06	336	1195	91	13				
	5.67	300	1255	83	12				
	6.67	255	1275	127	12				
	7.97	213	1380	265	8				
	9.47	180	1480	270	8				
	10.11	168	1505	279	8				
	11.83	144	1620	272	8				
	13.25	128	1680	283	8				
	15.60	109	1770	303	8				
	18.05	94	1770	375	8				
	19.31	88	1770	409	7				
22.27	76	1770	483	7					
26.03	65	1635	654	7					
28.32	60	1770	618	7					
RESF37 	24.42	70	1770	533	9				
	28.73	59	1770	627	9				
	32.40	52	1770	699	9				
	36.72	46	1770	776	9				
	39.17	43	1770	818	9				
	44.81	38	1770	906	9				
	48.08	35	1770	955	9				
	55.76	30	1770	1061	9				
	61.18	28	1770	1129	8				
	69.33	25	1770	1187	8				
	73.96	23	1770	1216	8				
	84.61	20	1770	1281	8				
	90.77	19	200	1317	8				
	105.28	16	200	1394	8				
123.66	14	200	1481	8					
134.82	13	200	1502	8					

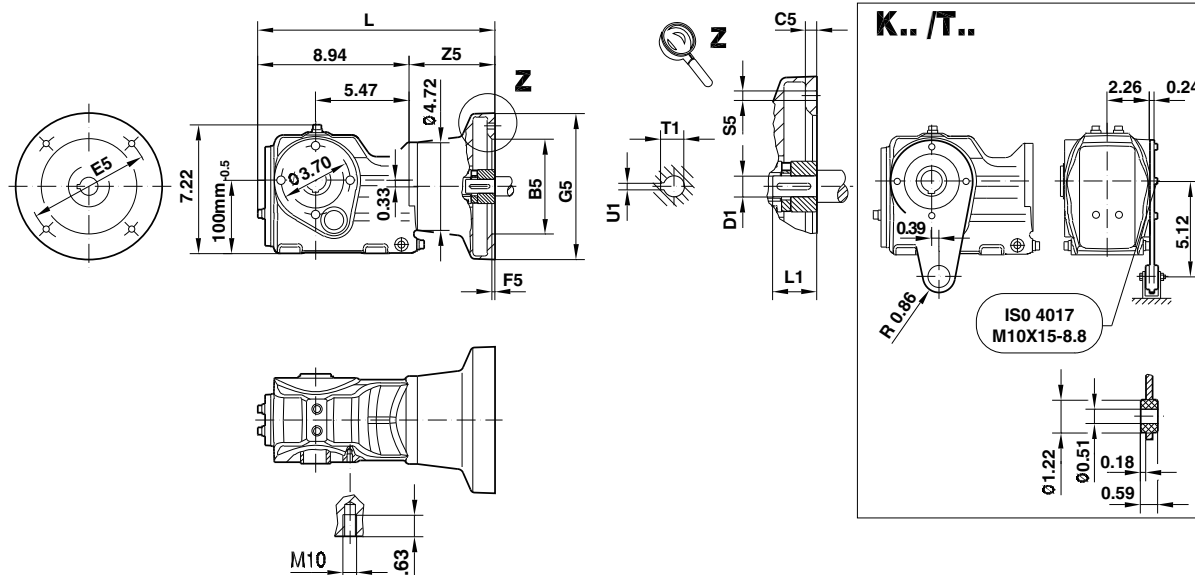
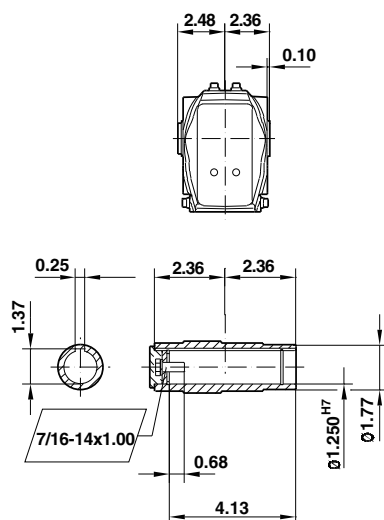
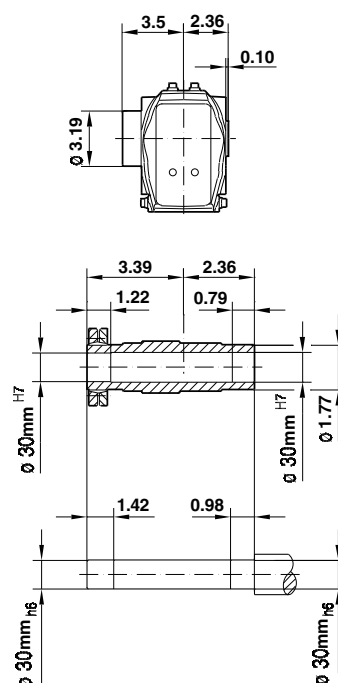
  

m [lb]		AESM			
IEC	s	63	71	80	90
RESF37		31	31	38	38
RESF37		31	34	38	38
NEMA		-	56	143	145
RESF37		-	34	38	38
RESF37		-	34	38	38

## 6 Dimension sheets – [in]

## 6.1 KES.37

33 037 00 09

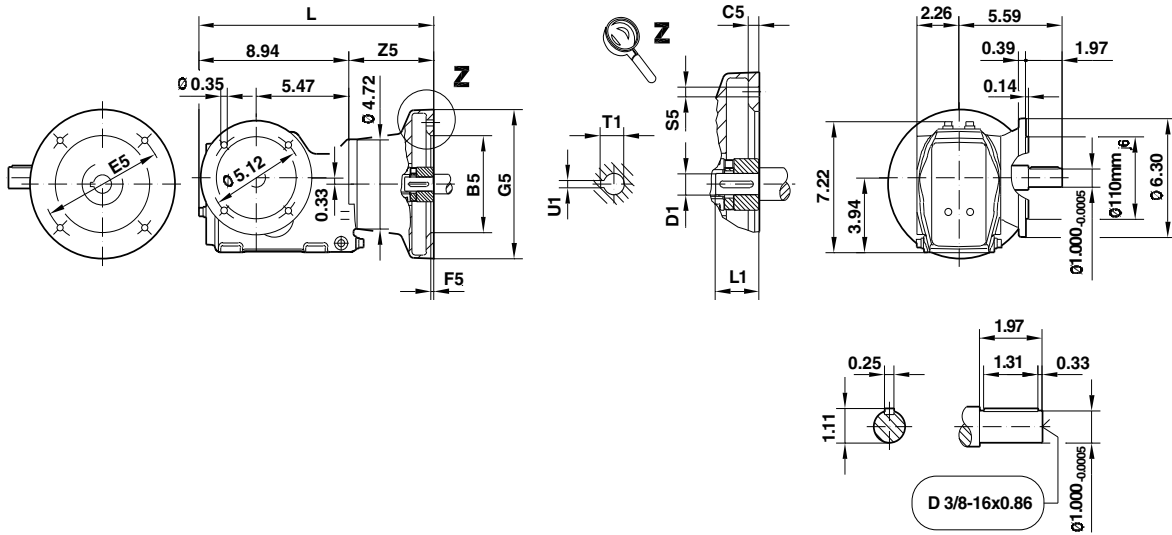
**KESA37..**

**KESA37..**

**KESH37..**


	B5	C5	E5	F5	G5	L	S5	Z5	D1	L1	T1	U1
AESM63 (IEC)	3.74	0.32	4.53	0.16	6.30	11.44	M8	2.85	0.43	0.91	0.50	0.16
AESM71 (IEC)	4.33	0.32	5.11	0.16	6.30	11.44	M8	2.85	0.55	1.18	0.64	0.20
AESM80 (IEC)	5.12	0.39	6.50	0.16	7.87	12.76	M10	4.17	0.75	1.57	0.86	0.24
AESM90 (IEC)	5.12	0.39	6.50	0.16	7.87	12.76	M10	4.17	0.94	1.97	1.07	0.32



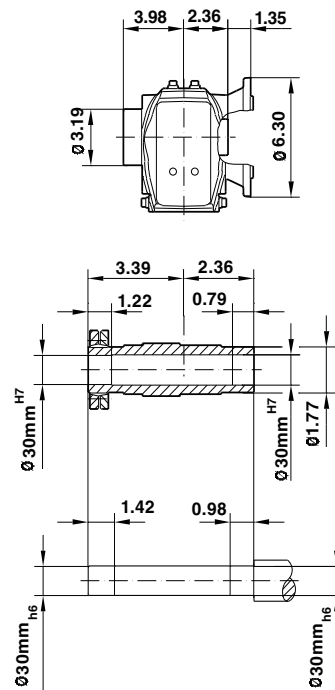
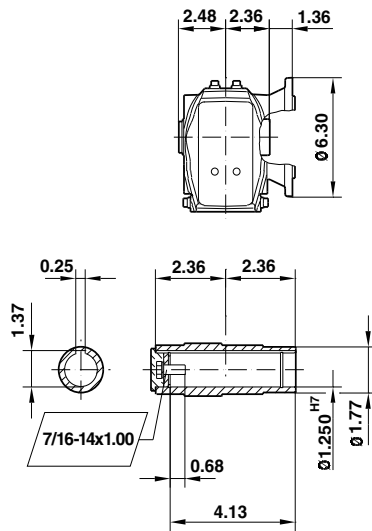
**KESF37..**

33 038 00 09



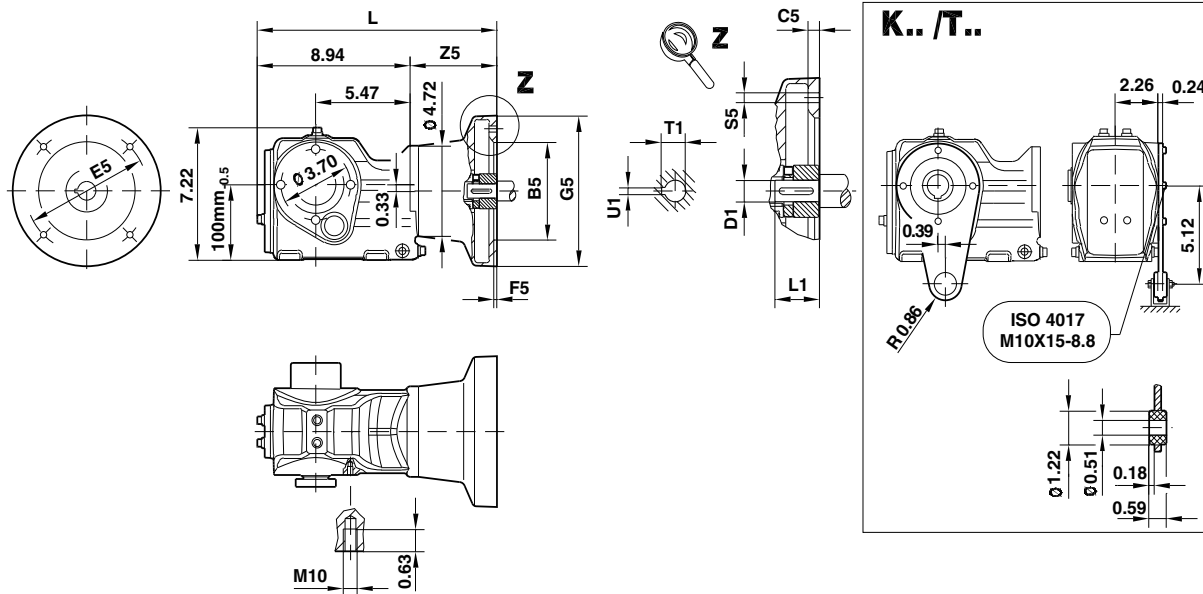
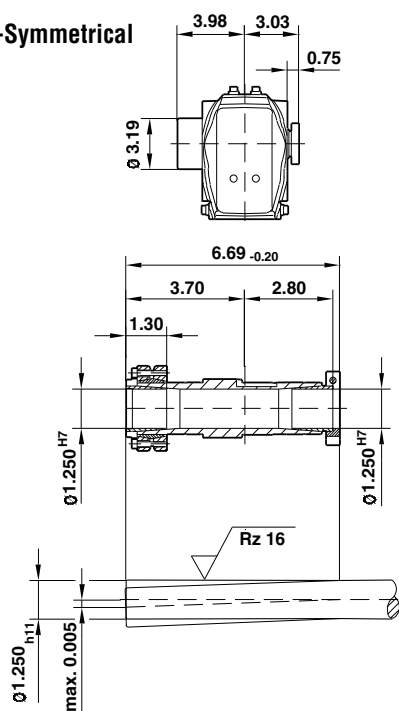
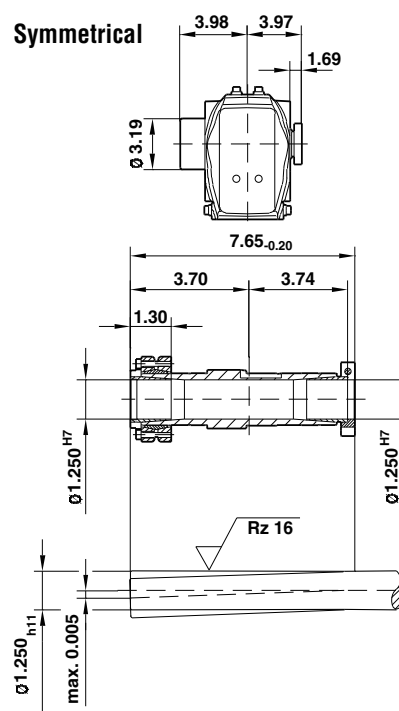
**KESAF37..**

**KESHF37..**



	B5	C5	E5	F5	G5	L	S5	Z5	D1	L1	T1	U1
AESM63 (IEC)	3.74	0.32	4.53	0.16	6.30	11.44	M8	2.85	0.43	0.91	0.50	0.16
AESM71 (IEC)	4.33	0.32	5.11	0.16	6.30	11.44	M8	2.85	0.55	1.18	0.64	0.20
AESM80 (IEC)	5.12	0.39	6.50	0.16	7.87	12.76	M10	4.17	0.75	1.57	0.86	0.24
AESM90 (IEC)	5.12	0.39	6.50	0.16	7.87	12.76	M10	4.17	0.94	1.97	1.07	0.32

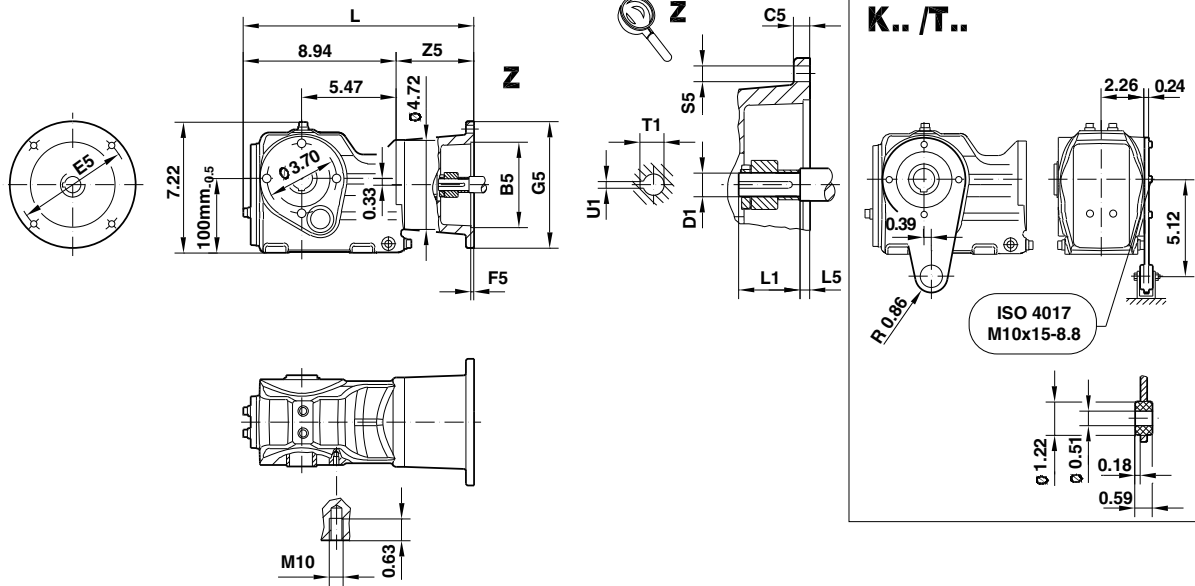
33 039 00 09

**KEST37..****NON-Symmetrical****Symmetrical**

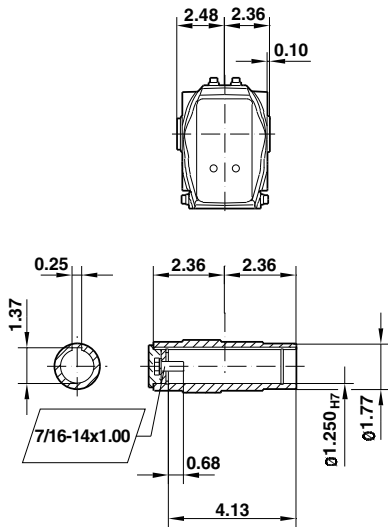
	B5	C5	E5	F5	G5	L	S5	Z5	D1	L1	T1	U1
<b>AESM63 (IEC)</b>	3.74	0.32	4.53	0.16	6.30	11.44	M8	2.85	0.43	0.91	0.50	0.16
<b>AESM71 (IEC)</b>	4.33	0.32	5.11	0.16	6.30	11.44	M8	2.85	0.55	1.18	0.64	0.20
<b>AESM80 (IEC)</b>	5.12	0.39	6.50	0.16	7.87	12.76	M10	4.17	0.75	1.57	0.86	0.24
<b>AESM90 (IEC)</b>	5.12	0.39	6.50	0.16	7.87	12.76	M10	4.17	0.94	1.97	1.07	0.32

33 040 00 09

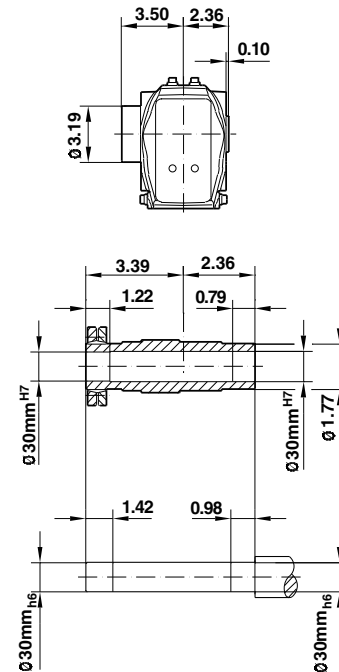
**KESA37..**



**KESA37..**

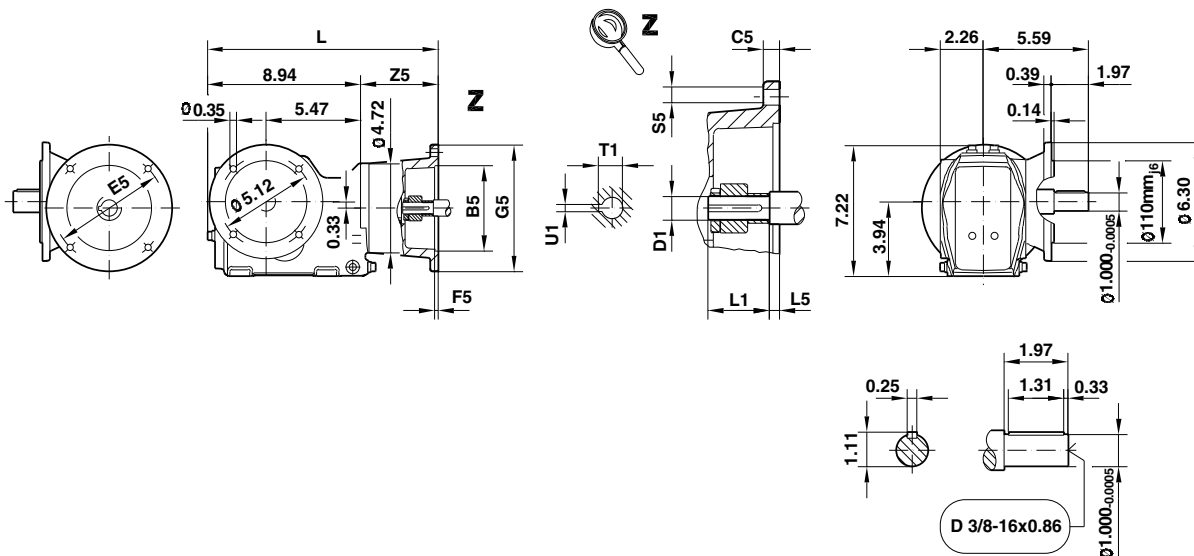
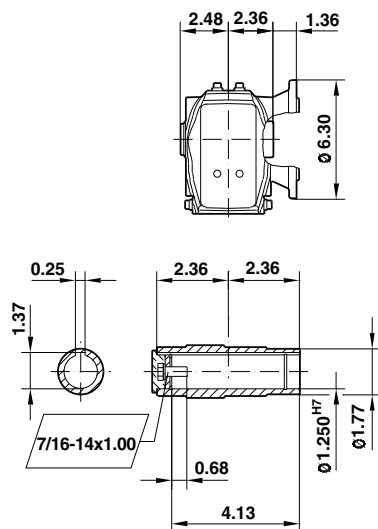
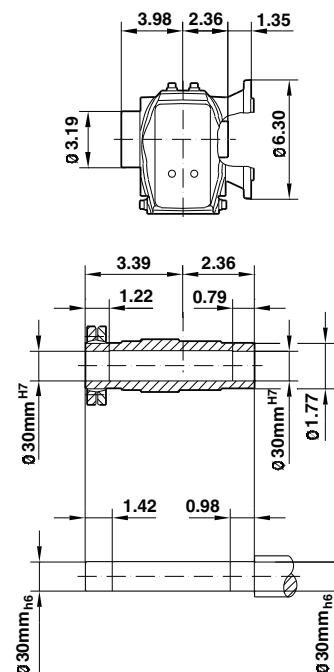


**KESH37..**



	B5	C5	E5	F5	G5	L	S5	Z5	D1	L1	T1	U1	L5	L2	Z12
<b>AESM56 (NEMA)</b>	4.50	0.43	5.87	0.18	6.69	12.13	0.41	3.61	0.625	1.88	0.71	0.185	-0.19	2.08	0.85
<b>AESM143 (NEMA)</b>	4.50	0.47	5.87	0.18	6.69	13.12	0.41	4.54	0.875	2.25	0.97	0.1875	0.11	2.14	0.46
<b>AESM145 (NEMA)</b>	4.50	0.47	5.87	0.18	6.69	13.12	0.41	4.54	0.875	2.25	0.97	0.1875	0.11	2.14	0.46

33 041 00 09

**KESF37..****KESAF37..****KESHF37..**

	B5	C5	E5	F5	G5	L	S5	Z5	D1	L1	T1	U1	L5	L2	Z12
AESM56 (IEC)	4.50	0.43	5.87	0.18	6.69	12.13	0.41	3.61	0.625	1.88	0.71	0.1875	-0.19	2.08	0.85
AESM143 (IEC)	4.50	0.47	5.87	0.18	6.69	13.12	0.41	4.54	0.875	2.25	0.97	0.1875	0.11	2.14	0.46
AESM145 (IEC)	4.50	0.47	5.87	0.18	6.69	13.12	0.41	4.54	0.875	2.25	0.97	0.1875	0.11	2.14	0.46

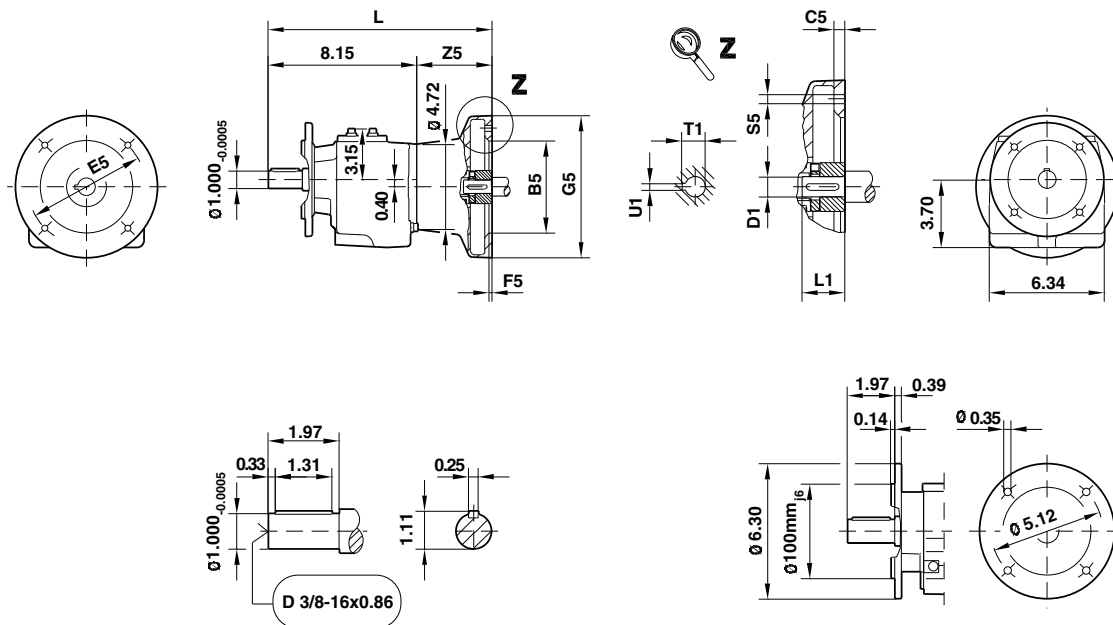




## 6.2 RESF37

RESF37..

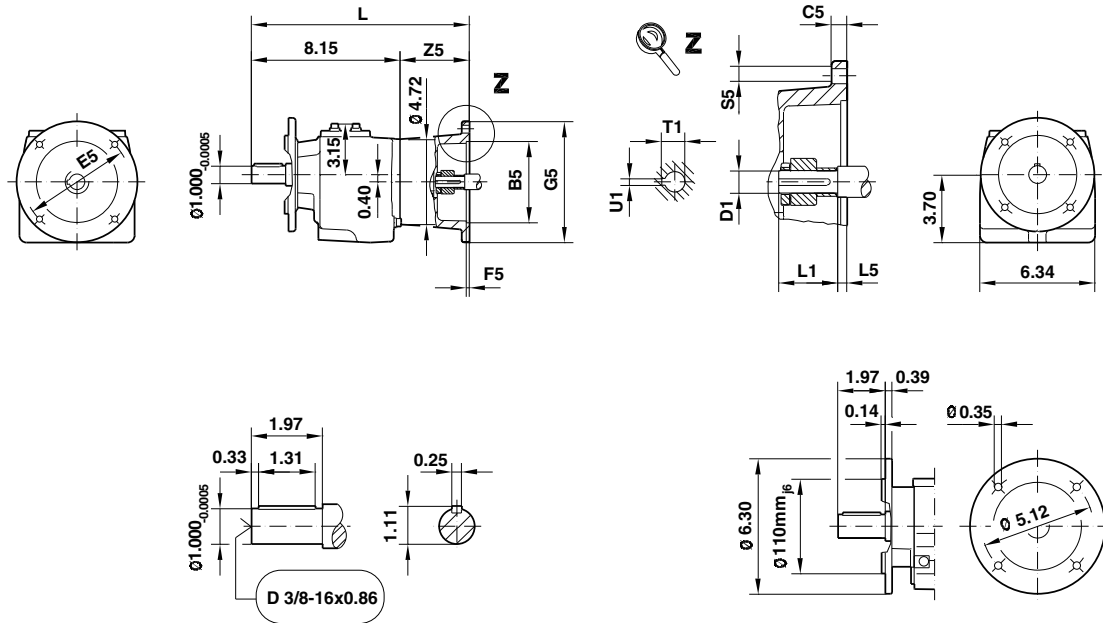
01 167 00 09



	B5	C5	E5	F5	G5	L	S5	Z5	D1	L1	T1	U1
AESM63 (IEC)	3.74	0.32	4.53	0.16	6.30	11.00	M8	2.85	0.43	0.91	0.50	0.16
AESM71 (IEC)	4.33	0.32	5.12	0.16	6.30	11.00	M8	2.85	0.55	1.18	0.64	0.197
AESM80 (IEC)	5.12	0.39	6.47	0.16	7.87	12.32	M10	4.17	0.75	1.57	0.86	0.24
AESM90 (IEC)	5.12	0.39	6.47	0.16	7.87	12.32	M10	4.17	0.95	1.97	1.08	0.32

**RESF37..**

01 168 00 09

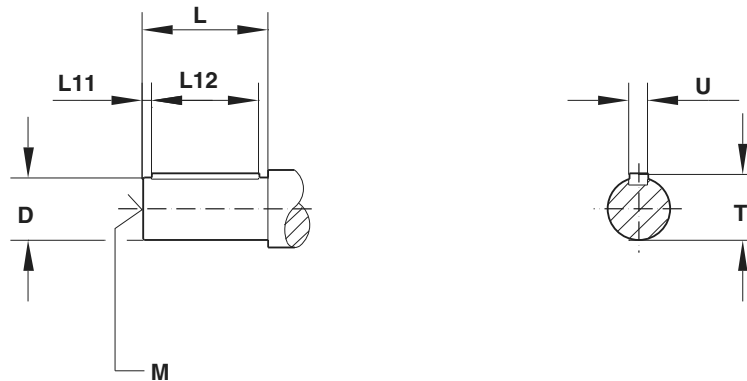


	B5	C5	E5	F5	G5	L	L5	S5	Z5	D1	L1	T1	U1
AESM56 (NEMA)	4.50	0.43	5.87	0.18	6.69	11.76	-0.20	0.41	3.61	0.625	1.875	0.71	0.1875
AESM143 (NEMA)	4.50	0.47	5.87	0.18	6.69	12.69	0.11	0.41	4.54	0.875	2.25	0.97	0.1875
AESM145 (NEMA)	4.50	0.47	5.87	0.18	6.69	12.69	0.11	0.41	4.54	0.875	2.25	0.97	0.1875



## 7 Available output shafts

### 7.1 K Series inch solid shafts

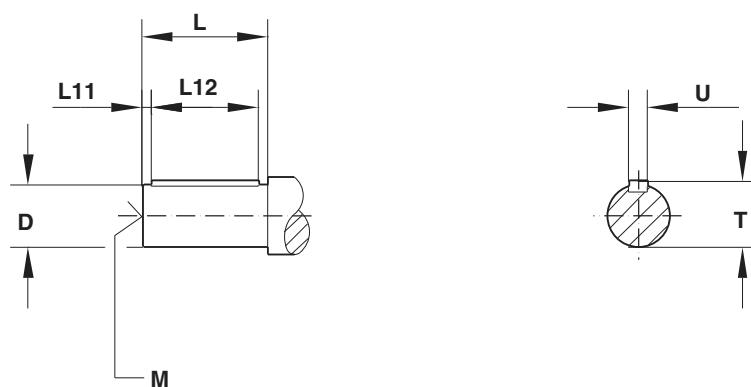


Model <sup>1)</sup>	D	T	U	L	L11	L12	M	Change <sup>2)</sup>
KESF37	1	1.11	1/4	1.97	0.32	1-5/16	3/8 - 16 x 0.87	0

- 1) Longer shafts to match older designs are available for flanged units.
- 2) Compared to standard shaft as shown in dimension pages.



## 7.2 K Series metric solid shafts

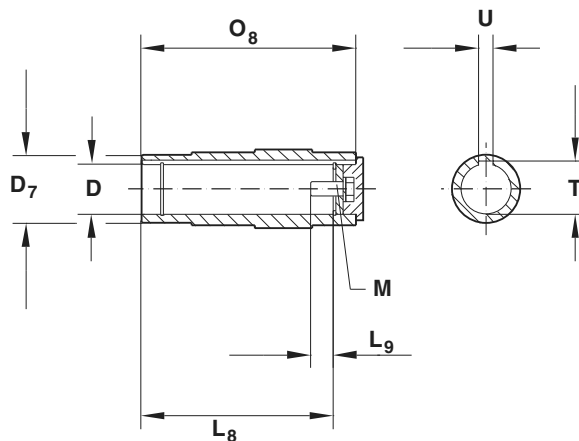


Model <sup>1)</sup>	D	T	U	L	L11	L12	M	Change <sup>2)</sup>
KESF37	25	28	8	50	5	40	M10 x 22	0

- 1) Longer shafts to match older designs are available for flanged units.
- 2) Compared to standard shaft as shown in dimension pages.

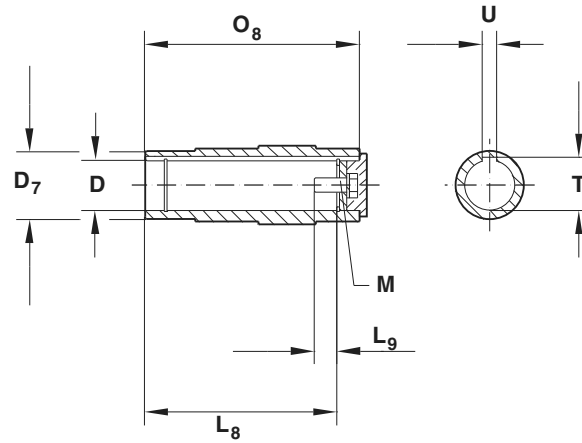


### 7.3 K Series inch hollow shafts



Model	O <sub>8</sub>	D	D <sub>7</sub>	T	U	L <sub>8</sub>	L <sub>9</sub>	M
KESA37	4.72	1.0	1.77	1.12	1/4	4.13	0.67	7/16 - 14 x 1
	4.72	1.25	1.77	1.37	1/4	4.13	0.67	7/16 - 14 x 1

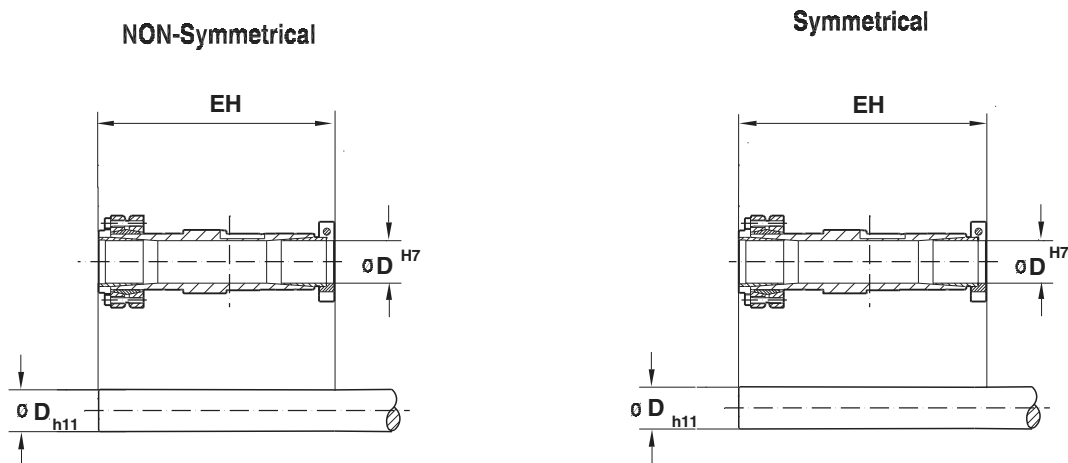
7.4 K Series metric hollow shafts



Model	O <sub>8</sub>	D	D <sub>7</sub>	T	U	L <sub>8</sub>	L <sub>9</sub>	M
KESA37	120	30	45	33.3	8	105	17	M10 x 25



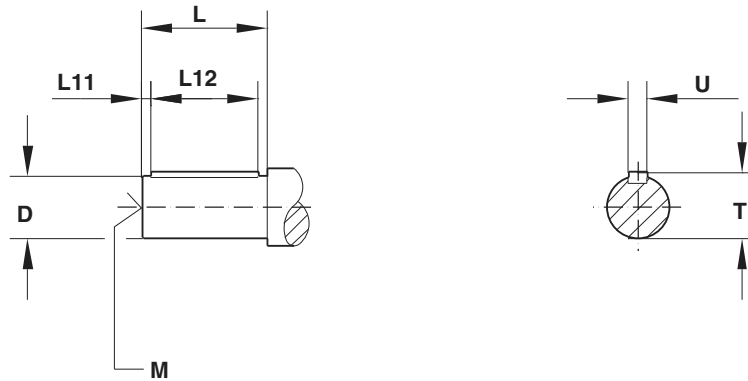
### 7.5 K Series TorqLOC



Metric and inch bores are available as shown below.

Model	Inch shafts					Metric shafts			NON-Symmetrical	Symmetrical
	D Dimension					D Dimension			EH	
KEST37	1.00	1.1875	1.25	-	-	-	30	-	6.69	7.63

7.6 R Series inch solid shafts

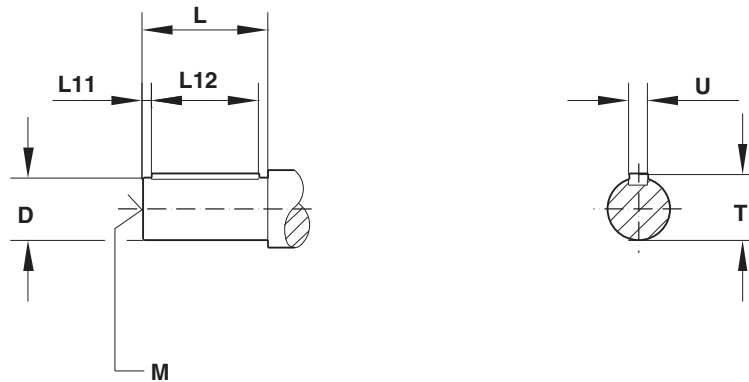


Model <sup>1)</sup>	D	T	U	L	L11	L12	M	Change <sup>2)</sup>
RESF37	1	1.11	1/4	1.97	0.26	1-5/16	3/8 - 16 x 0.87	0

- 1) Longer shafts to match older designs are available for flanged units.
- 2) Compared to standard shaft as shown in dimension pages.



### 7.7 R Series metric solid shafts



Model <sup>1)</sup>	D	T	U	L	L11	L12	M	Change <sup>2)</sup>
RESF37	25	28	8	50	3.5	50	M10 x 22	0

1) Longer shafts to match older designs are available for flanged units.

2) Compared to standard shaft as shown in dimension pages.



## 8 Appendix

### 8.1 Address list

USA			
<b>Assembly Sales Service</b>	<b>Ohio</b>	SEW-EURODRIVE INC. 2001 West Main Street Troy, Ohio 45373	Tel. 937 335-0036 Fax 937 440-3799 cstroy@seweurodrive.com
	<b>New Jersey</b>	SEW-EURODRIVE INC. Pureland Ind. Complex 2107 High Hill Road, P.O. Box 481 Bridgeport, New Jersey 08014	Tel. 856 467-2277 Fax 856 845-3179 csbridgeport@seweurodrive.com
	<b>South Carolina</b>	SEW-EURODRIVE INC. 1295 Old Spartanburg Highway P.O. Box 518 Lyman, SC 29365	Tel. 864 439-7537 Fax Sales 864 439-7830 Fax Ass. 864 439-0566 cslyman@seweurodrive.com
	<b>Texas</b>	SEW-EURODRIVE INC. 3950 Platinum Way Dallas, Texas 75237	Tel. 214 330-4824 Fax 214 330-4724 csdallas@seweurodrive.com
	<b>California</b>	SEW-EURODRIVE INC. 30599 San Antonio St. Hayward, CA 94544	Tel. 510 487-3560 Fax 510 487-6381 cshayward@seweurodrive.com
<b>Production</b>	<b>South Carolina</b>	SEW-EURODRIVE INC. 1275 Old Spartanburg Highway P.O. Box 518 Lyman, SC 29365	Tel. 864 439-8792 Fax Manuf. 864 439-9948 http://www.seweurodrive.com
<b>District Sales Offices</b>	<b>Alabama</b>	Bob Whittlesey 5374 Pinewood Rd. Birmingham, AL 35242	Tel. 205 408-8886 Fax 205 408-8883 bwhittlesey@seweurodrive.com
	<b>Alaska</b>	William A. Aschenbrenner 4132 "B" Place N.W. Suite 200 Auburn, WA 98001	Tel. 253 333-8517 Fax 253 333-8518 baschenbrenner@seweurodrive.com
	<b>Arizona</b>	Rick A. Burdick 3942 Canyon Terrace Yorba Linda, CA 92886	Tel./Fax 714 970-6197 rburdick@seweurodrive.com
	<b>Arkansas</b>	Ed Lockett 1402 Trails Edge Drive Conway, AR 72032	Tel. 501 336-8620 Fax 501 327-8579 elockett@seweurodrive.com
	<b>California</b>	Rick A. Burdick 3942 Canyon Terrace Yorba Linda, CA 92886	Tel./Fax 714 970-6197 rburdick@seweurodrive.com
		Michael Haskins 7750 Chisamore Ranch Lane Vacaville, CA 95688	Tel./Fax 707 453-1550 mhaskins@seweurodrive.com
		Steve Highley 15283 Rousseau Lane La Mariada, CA 90638	Tel. 323 219-9681 Fax 714 994-5882 shighley@seweurodrive.com
	<b>Colorado</b>	John McNamee 5610 Havencrest Circle Stockton, CA 95219	Tel./Fax 209 473-4887 Mobile 209 481-6928 jmnamee@seweurodrive.com
		Leo Dudley 7773 S. Ames Way Littleton, CO 80128	Tel./Fax 303 948-2805 Mobile 720 670-6352 ldudley@seweurodrive.com
		<b>Connecticut</b>	David Danforth 9 Windmill Road Ellington, CT 06029
<b>Delaware</b>	Edward Tucker 806 Front Street Glendora, NJ 08029	Tel. 856 939-2535 Fax 856 939 2114 etucker@seweurodrive.com	



USA			
District Sales Offices (Cont.)	District of Columbia	Edward Tucker 806 Front Street Glendora, NJ 08029	Tel. 856 939-2535 Fax 856 939 2114 etucker@seweurodrive.com
	Florida	Tony O. Toledo 901 25 <sup>th</sup> Avenue W. Palmetto, FL 34221	Tel. 941 729-0717 Fax 941 729-7507 ttoledo@seweurodrive.com
		Bob Whittlesey 5374 Pineywood Rd. Birmingham, AL 35242	Tel. 205 408-8886 Fax 205 408-8883 bwhittlesey@seweurodrive.com
	Georgia	Jim Garrett 3843 Boulder Creek Road Martinez, GA 30907	Tel. 706 210-0116 Fax 706 228-4990 jgarrett@seweurodrive.com
		Jim Walsh 1806 Scholar Drive Lawrenceville, GA 30044	Tel. 770 237-8734 Fax 770 237-5735 jwalsh@seweurodrive.com
		Abraham Masourian PO Box 27 Flowery Branch, GA 30542	Tel. 770 965-0077 Fax 770 965-0097 amasourian@seweurodrive.com
	Idaho	Duwayne Hogan 3622 Hillcrest Drive Coeur d'Alene, ID 83815	Tel. 208 667-0414 dhogan@seweurodrive.com
		Steven Jacobson 5520 S. 225 E. Ogden, UT 84405	Tel. 801 612-9558 Fax 801 612-9561 sjacobson@seweurodrive.com
	Illinois	Tom Ellis 24146 Brancaster Dr. Naperville, IL 60564	Tel. 630 579-4500 Fax 630 579-4540 tellis@seweurodrive.com
		Dan Wittenberg 509 North Wooster Algona, IA 50511	Tel. 515 395-1414 Fax 888 313-1413 dwittenberg@seweurodrive.com
		Scott R. Johnson 52 Boxwood Lane Cary, IL 60013	Tel. 847 639-9774 Fax 847 639-9775 sjohnson@seweurodrive.com
		Ted Knue 2852 Coventry Lane Greenwood, IN 46143	Tel 317 422-9352 Fax 317 422-9357 tknue@seweurodrive.com
		Gregory R. Tucker 6808 Cottage Grove, Unit G St. Louis, MO 63129	Fax 314 845-6129 Mobile 314 973-7060 gtucker@seweurodrive.com
		Jeffrey L. Westrom 2 S. 111 Stratford Road Glen Ellyn, IL 60137	Tel. 630 790-2868 Fax 630 790-2878 jwestrom@seweurodrive.com
		Indiana	Tom Ellis 24146 Brancaster Dr. Naperville, IL 60564
	Ted Knue 2852 Coventry Lane Greenwood, IN 46143		Tel 317 422-9352 Fax 317 422-9357 tknue@seweurodrive.com
	Jay Kunz 9400 Doewood Lane Louisville, KY 40291		Tel. 502 762-0106 Fax 502 762-0108 jkunz@seweurodrive.com
	Mike Kushman 20610 Sugar Ridge Lane Lawrenceburg, IN 47025		Tel. 812 537-9318 Fax 812 537-4268 mkushman@seweurodrive.com
	Iowa	Dan Wittenberg 509 North Wooster Algona, IA 50511	Tel. 515 395-1414 Fax 888 313-1413 dwittenberg@seweurodrive.com
		Mike Marksby 3510 Lindenwood Street Sioux City, IA 51104	Tel. 712 255-3662 Fax 712 258-9299 mmarksby@seweurodrive.com





USA			
District Sales Offices (Cont.)	<b>Kansas</b>	John Mikovsky 5859 Loran Avenue St. Louis, MO 63109	Tel. 314 352-8444 Fax 866 752-0169 jmikovsky@seweurodrive.com
	<b>Kentucky</b>	Jay Kunz 9400 Doewood Lane Louisville, KY 40291	Tel. 502 762-0106 Fax 502 762-0108 jkunz@seweurodrive.com
		Mike Kushman 20610 Sugar Ridge Lane Lawrenceburg, IN 47025	Tel. 812 537-9318 Fax 812 537-4268 mkushman@seweurodrive.com
		Gregory R. Tucker 6808 Cottage Grove, Unit G St. Louis, MO 63129	Fax 314 845-6129 Mobile 314 973-7060 gtucker@seweurodrive.com
	<b>Louisiana</b>	Sheldon Anderson 4515 Tartan Drive Baton Rouge, LA 70816	Tel. 225 223-6440 Fax 888 522-9013 sanderson@seweurodrive.com
	<b>Maine</b>	Kevin Molloy 84 Pear Tree Lane Newmarket, NH 03857	Tel. 603 659-3361 Fax 866 878-2843 kmolloy@seweurodrive.com
	<b>Maryland</b>	John Shoop 4 Crestview Court Milton, PA 17847	Tel. 570 713-1593 Fax 866 775-1595 jshoop@seweurodrive.com
		Edward Tucker 806 Front Street Glendora, NJ 08029	Tel. 856 939-2535 Fax 856 939 2114 etucker@seweurodrive.com
	<b>Massachusetts</b>	David Danforth 9 Windmill Road Ellington, CT 06029	Tel. 860 875-7938 Fax 860 870-1025 ddanforth@seweurodrive.com
		Kevin Molloy 84 Pear Tree Lane Newmarket, NH 03857	Tel. 603 659-3361 Fax 866 878-2843 kmolloy@seweurodrive.com
	<b>Michigan</b>	Charles F. McLaughlin 2918 Walmsley Circle Lake Orion, MI 48360	Tel. 248 391-0543 Fax 248 391-0563 cmclaughlin@seweurodrive.com
		Jeff Robinson 17443 Harley Woods Drive Bowling Green, OH 43402	Tel. 419 823-0920 Fax 419 823-0950 jrobinson@seweurodrive.com
		Automotive Technical Sales Center 51183 West Pontiac Trail Wixom, MI 48393	Tel. 248 668-0404 Fax 248 668-9363
		District Sales Representative Flaherty Electro-Mechanical Products, Inc. Dirk Lockwood / Don Young / Tom Verhil 1577 Jefferson, S.E. Grand Rapids, MI 49507	Tel. 616 245-8631 Fax 800 854-2765 dlockwood@seweurodrive.com dyoung@seweurodrive.com tverhil@seweurodrive.com
	<b>Minnesota</b>	Andy Semelis 154 147 <sup>th</sup> Street Deer Park, WI 54007	Tel. 715 248-4892 Fax 715 248-7890 asemelis@seweurodrive.com
	<b>Mississippi</b>	Sheldon Anderson 4515 Tartan Drive Baton Rouge, LA 70816	Tel. 225 223-6440 Fax 888 522-9013 sanderson@seweurodrive.com
		Russell Mook 2501 Golden Pond Lane Spring Hill, TN 37174	Tel. 931 486-3242 Fax 931 486-1281 rmook@seweurodrive.com
	<b>Missouri</b>	Gregory R. Tucker 6808 Cottage Grove, Unit G St. Louis, MO 63129	Fax 314 845-6129 Mobile 314 973-7060 gtucker@seweurodrive.com
		John Mikovsky 5859 Loran Avenue St. Louis, MO 63109	Tel. 314 352-8444 Fax 866 752-0169 jmikovsky@seweurodrive.com
	<b>Montana</b>	Duwayne Hogan 3622 Hillcrest Drive Coeur d'Alene, ID 83815	Tel. 208 667-0414 dhogan@seweurodrive.com



USA			
District Sales Offices (Cont.)	<b>Nebraska</b>	Mike Marksbury 3510 Lindenwood Street Sioux City, IA 51104	Tel. 712 255-3662 Fax 712 258-9299 mmarksbury@seweurodrive.com
	<b>Nevada</b>	Rick A. Burdick 3942 Canyon Terrace Yorba Linda, CA 92886	Tel./Fax 714 970-6197 rburdick@seweurodrive.com
		Michael Haskins 7750 Chisamore Ranch Lane Vacaville, CA 95688	Tel./Fax 707 453-1550 mhaskins@seweurodrive.com
	<b>New Hampshire</b>	Kevin Molloy 84 Pear Tree Lane Newmarket, NH 03857	Tel. 603 659-3361 Fax 866 878-2843 kmolloy@seweurodrive.com
	<b>New Jersey</b>	Edward McLaughlin 7 Ridgeview Lane Port Jervis, NY 12771	Tel. 845 856-8811 Fax 845 856-8844 emcloughlin@seweurodrive.com
		Edward Tucker 806 Front Street Glendora, NJ 08029	Tel. 856 939-2535 Fax 856 939 2114 etucker@seweurodrive.com
	<b>New Mexico</b>	Leo Dudley 7773 S. Ames Way Littleton, CO 80128	Tel./Fax 303 948-2805 Mobile 720 670-6352 ldudley@seweurodrive.com
	<b>New York</b>	Art Conner 6273 Pine Cone Ct. Clarence Center, NY 14032	Tel. 716 741-7728 Fax 716 568-8441 aconner@seweurodrive.com
		Richard Maggio 38 Roe Street Melville, NY 11747	Tel. 631 549-8750 Fax 631 351-0872 rmaggio@seweurodrive.com
		Edward McLaughlin 7 Ridgeview Lane Port Jervis, NY 12771	Tel. 845 856-8811 Fax 845 856-8844 emcloughlin@seweurodrive.com
		Peter T. Schmitt 4627 Slippery Rock Manlius, NY 13104	Tel. 315 682-5369 Fax 315 682-3556 pschmitt@seweurodrive.com
	<b>North Carolina</b>	Brent Craft 4004 Smithfield Road Greensboro, NC 27406	Tel. 336 674-5361 Tax 336 674-1290 bcraft@seweurodrive.com
		Jack F. Jung 117 N. Brackenbury Lane Charlotte, NC 28270	Tel. 704 362-2674 Fax 704 362-2961 jjung@seweurodrive.com
	<b>North Dakota</b>	Mike Marksbury 3510 Lindenwood Street Sioux City, IA 51104	Tel. 712 255-3662 Fax 712 258-9299 mmarksbury@seweurodrive.com
	<b>Ohio</b>	Lowell Bishop 4080 Bayberry Court Columbus, OH 43220	Tel. 614 538-0880 Fax 614 538-0889 lbishop@seweurodrive.com
		Guy Borchers 82 Countryside Drive N. Troy, OH 45373	Tel. 937 339-1333 Fax 937 339-1140 gborchers@seweurodrive.com
		John Herstine 248 Plain Street PO Box 82 Magnolia, OH 44643	Tel. 330 866-2544 Fax 330 886-2553 jherstine@seweurodrive.com
		Mike Kushman 20610 Sugar Ridge Lane Lawrenceburg, IN 47025	Tel. 812 537-9318 Fax 812 537-4268 mkushman@seweurodrive.com
		Jeff Robinson 17443 Harley Woods Drive Bowling Green, OH 43402	Tel. 419 823-0920 Fax 419 823-0950 jrobinson@seweurodrive.com
		Robert Schmidt 1214 Shady Lakes Drive Kent, OH 44240	Tel. 330 678-2550 Fax 330 678-2446 bschmidt@seweurodrive.com



USA			
District Sales Offices (Cont.)	<b>Oklahoma (Eastern)</b>	Ed Lockett 1402 Trails Edge Drive Conway, AR 72032	Tel. 501 336-8620 Fax 501 327-8579 elockett@seweurodrive.com
	<b>Oklahoma (Western)</b>	Kyle M. Sandy 3804 Southwestern Blvd. Dallas, TX 75225	Tel. 214 696-5595 Fax 214 696-0242 ksandy@seweurodrive.com
	<b>Oregon</b>	Michael S. Johnson 15804 N.E. 160 Ct. Brush Prairie, WA 98606	Tel./Fax 360 256-1785 mjohnson@seweurodrive.com
	<b>Pennsylvania</b>	Mark Betzer 17 West Main Street Canton, PA 17724	Tel. 570 673-3443 Fax 570 673-3552 mbetzer@seweurodrive.com
		Paul Decker 245 Washington Street Red Hill, PA 18076	Tel. 215 679-5638 Fax 215 679-6281 pdecker@seweurodrive.com
		Tim Phaturos 206 Birch Avenue Pittsburgh, PA 15237	Tel. 412 366-3563 FAX 888 665-4616 tphaturos@seweurodrive.com
		John Shoop 4 Crestview Court Milton, PA 17847	Tel. 570 713-1593 Fax 866 775-1595 jshoop@seweurodrive.com
	<b>Rhode Island</b>	Kevin Molloy 84 Pear Tree Lane Newmarket, NH 03857	Tel. 603 659-3361 Fax 866 878-2843 kmolloy@seweurodrive.com
	<b>South Carolina</b>	Bill Kinard 20 Wrenwood Court Greer, SC 29651	Tel. 864 288-2725 Fax 864 288-3573 bkinard@seweurodrive.com
	<b>South Dakota</b>	Mike Marksbury 3510 Lindenwood Street Sioux City, IA 51104	Tel. 712 255-3662 Fax 712 258-9299 mmarksbury@seweurodrive.com
	<b>Tennessee</b>	Russell Mook 2501 Golden Pond Lane Spring Hill, TN 37174	Tel. 931 486-3242 Fax 931 486-1281 rmook@seweurodrive.com
		Todd Styles 6820 Chiswick Drive Chattanooga, TN 37421	Tel. 423 305-0360 Fax 888 849-4186 tstyles@seweurodrive.com
	<b>Texas</b>	John Hill 6846 Cedar Cove Road Belton, TX 76513	Tel. 254 718-5210 Fax 254 939-0040 jhill@seweurodrive.com
		Ed Lockett 1402 Trails Edge Drive Conway, AR 72032	Tel. 501 336-8620 Fax 501 327-8579 elockett@seweurodrive.com
		Kyle M. Sandy 3804 Southwestern Blvd. Dallas, TX 75225	Tel. 214 696-5595 Fax 214 696-0242 ksandy@seweurodrive.com
		Stewart Sappington 13519 Fawcett Houston, TX 77069	Tel. 281 893-2377 Fax 281 715-5300 ssappington@seweurodrive.com
		Mike Stewart 2903 Shadwell Lane Mesquite, TX 75149	Tel. 972 289-7996 Fax 972 288-3549 mstewart@seweurodrive.com
	<b>Utah</b>	Steven Jacobson 5520 S. 225 E. Ogden, UT 84405	Tel. 801 612-9558 Fax 801 612-9561 sjacobson@seweurodrive.com
	<b>Vermont</b>	Kevin Molloy 84 Pear Tree Lane Newmarket, NH 03857	Tel. 603 659-3361 Fax 866 878-2843 kmolloy@seweurodrive.com



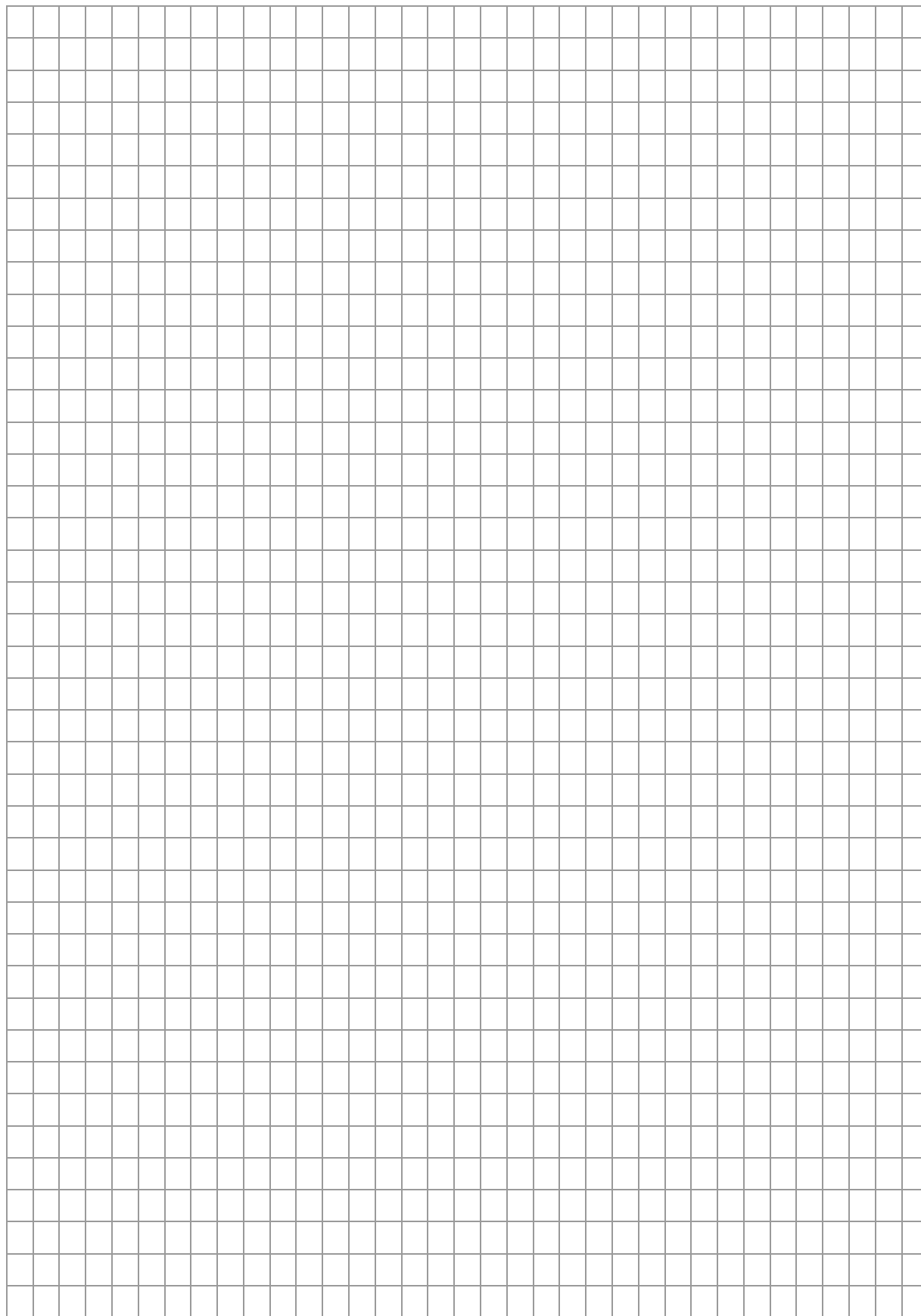
USA			
<b>District Sales Offices (Cont.)</b>	<b>Virginia</b>	Todd Bauer 1188 New Hope Rd. Staunton, VA 24401	Tel. 540 248-2420 Fax 866 522-1952 tbauer@seweurodrive.com
		Mike Nojaim 13606 Winterberry Ridge Road Midlothian, VA 23112	Tel. 804 744-2179 Fax 757 282-5800 mnojaim@seweurodrive.com
		Edward Tucker 806 Front Street Glendora, NJ 08029	Tel. 856 939-2535 Fax 856 939 2114 etucker@seweurodrive.com
	<b>Washington</b>	William A. Aschenbrenner 4132 "B" Place N.W. Suite 200 Auburn, WA 98001	Tel. 253 333-8517 Fax 253 333-8518 baschenbrenner@seweurodrive.com
		Duwayne Hogan 3622 Hillcrest Drive Coeur d'Alene, ID 83815	Tel. 208 667-0414 dhogan@seweurodrive.com
		Michael S. Johnson 15804 N.E. 160 Ct. Brush Prairie, WA 98606	Tel./Fax 360 256-1785 mjohnson@seweurodrive.com
	<b>West Virginia</b>	Lowell Bishop 4080 Bayberry Court Columbus, OH 43220	Tel. 614 538-0880 Fax 614 538-0889 lbishop@seweurodrive.com
		Todd Bauer 1188 New Hope Rd. Staunton, VA 24401	Tel. 540 248-2420 Fax 866 522-1952 tbauer@seweurodrive.com
		John Herstine 248 Plain Street PO Box 82 Magnolia, OH 44643	Tel. 330 866-2544 Fax 330 886-2553 jherstine@seweurodrive.com
	<b>Wisconsin</b>	Frank Carr 1171 W. Cecil Street Neenah, WI 54956	Tel. 920 751-3871 Fax 920 751-0107 fcarr@seweurodrive.com
		Dan Wittenberg 509 North Wooster Algona, IA 50511	Tel. 515 395-1414 Fax 888 313-1413 dwittenberg@seweurodrive.com
		Andy Semelis 154 147 <sup>th</sup> Street Deer Park, WI 54007	Tel. 715 248-4892 Fax 715 248-7890 asemelis@seweurodrive.com
		Walter Sturgeon 7645 West Cleveland Avenue West Allis, WI 53219	Tel. 414 321-8472 Fax 414 324-8473 Mobile 414 418-9993 wsturgeon@seweurodrive.com
	<b>Wyoming</b>	Leo Dudley 7773 S. Ames Way Littleton, CO 80128	Tel./Fax 303 948-2805 Mobile 720 670-6352 ldudley@seweurodrive.com
		Steven Jacobson 5520 S. 225 E. Ogden, UT 84405	Tel. 801 612-9558 Fax 801 612-9561 sjacobson@seweurodrive.com
Duwayne Hogan 3622 Hillcrest Drive Coeur d'Alene, ID 83815		Tel. 208 667-0414 dhogan@seweurodrive.com	

Additional addresses for service in the USA provided on request!

Canada			
<b>Assembly Sales Service</b>	<b>Toronto</b>	SEW-EURODRIVE CO. OF CANADA LTD. 210 Walker Drive Bramalea, Ontario L6T3W1	Tel. +1 905 791-1553 Fax +1 905 791-2999 <a href="http://www.sew-eurodrive.ca">http://www.sew-eurodrive.ca</a> marketing@sew-eurodrive.ca
	<b>Vancouver</b>	SEW-EURODRIVE CO. OF CANADA LTD. 7188 Honeyman Street Delta. B.C. V4G 1 E2	Tel. +1 604 946-5535 Fax +1 604 946-2513 marketing@sew-eurodrive.ca



Canada			
	<b>Montreal</b>	SEW-EURODRIVE CO. OF CANADA LTD. 2555 Rue Leger LaSalle, Quebec H8N 2V9	Tel. +1 514 367-1124 Fax +1 514 367-3677 marketing@sew-eurodrive.ca
Additional addresses for service in Canada provided on request!			
Mexico			
<b>Assembly Sales Service</b>	<b>Quéretaro</b>	SEW-EURODRIVE MEXICO SA DE CV SEM-981118-M93 Tequisquiapan No. 102 Parque Industrial Quéretaro C.P. 76220 Quéretaro, México	Tel. +52 442 1030-300 Fax +52 442 1030-301 http://www.sew-eurodrive.com.mx scmexico@seweurodrive.com.mx





## 8.2 Index

### A

Acids and bases .....	5
Adapter .....	14, 15
AESM adapter .....	5, 14, 15
Selection tables .....	14
Technical data .....	14
Ambient temperature .....	5

### D

Design .....	5
Dimension sheets .....	16, 24
Dimensions .....	13

### E

Efficiency .....	5
------------------	---

### F

Fill quantities .....	12
-----------------------	----

### H

Housing .....	5
---------------	---

### I

IEC adapter .....	5
-------------------	---

### K

KES.37 combination table .....	14
--------------------------------	----

### L

Lubricant fill quantities .....	12
Lubricants .....	10

### M

Motor mounting .....	5
Mounting positions .....	6

### N

NEMA adapter .....	5
--------------------	---

### O

Oil fill quantities .....	12
Operating notes .....	10

### R

RESF37 combination table .....	15
--------------------------------	----

### S

Selection tables .....	14
Stainless steel .....	5
Surface protection .....	5
Surfaces .....	5

### T

Technical data	
AESM adapter .....	14
Temperature .....	5



## SEW-EURODRIVE, Inc. Terms and Conditions of Sale

### 1. GENERAL

All orders for products and drawings furnished in connection therewith (hereinafter collectively called "products") manufactured or supplied by SEW-Eurodrive, Inc. ("Eurodrive"), shall be subject to these terms and conditions of sale. No modifications or additions hereto will be binding unless agreed to in writing by an authorized officer of Eurodrive.

### 2. QUOTATIONS

Price quotations by Eurodrive are subject to change without notice. All products sold are subject to price in effect at time of shipment.

### 3. TAXES

Prices do not include Sales, Use, Excise, or other taxes payable to any governmental authority in respect of the sale of Eurodrive's products. The purchaser shall pay the amount of any such taxes or shall reimburse Eurodrive for the amount thereof that Eurodrive may be required to pay.

### 4. PAYMENTS

Unless otherwise provided, terms of payment are 30 days net from date of invoice for purchasers whose credit is approved. Eurodrive reserves the right to charge interest on any balance outstanding at 2% per month (or fraction thereof) or as Eurodrive shall determine, up to the maximum rate allowed by law, from the date payment is due to the date payment is actually received. Pro rata payments shall become due as shipments are made. If shipments are delayed by or at the request of the purchaser, payment shall become due when Eurodrive is prepared to make shipment. If the cost to Eurodrive of products is increased by reason of delays caused by the purchaser, such additional cost incurred by Eurodrive shall be paid by the purchaser. Eurodrive may, if it deems itself insecure by reason of the financial condition of purchaser or otherwise, require full or partial payment in advance and as a condition to the continuance of production or shipment on the terms specified herein.

### 5. ACCEPTANCE

No order or other offer shall be binding upon Eurodrive until accepted in writing by an authorized officer of Eurodrive.

### 6. CHANGES

Eurodrive will not accept changes in specification unless such changes are requested in writing and agreed to in writing by an authorized officer of Eurodrive and the purchaser agrees to pay, if necessary, in addition to the original purchase price a sum so set by Eurodrive.

### 7. CANCELLATION

Any order when placed with and accepted by Eurodrive is not subject to cancellation unless agreed to in writing by an authorized officer of Eurodrive. Cancellations are subject to reasonable charges based upon expenses already incurred and commitments made by Eurodrive.

### 8. DELIVERY

Any indicated dates of delivery are approximate only, but Eurodrive will attempt to meet them where possible. Eurodrive shall not be liable for delays in manufacturing or delivery or failure to manufacture or deliver due to any event in the nature of force majeure or any cause beyond Eurodrive's reasonable control. Eurodrive will not be bound by any penalty clause contained in any specification or order submitted by the purchaser unless such clause is agreed to in writing by an authorized officer of Eurodrive. Delivery of products shall be made FOB Eurodrive's factory unless otherwise agreed to in writing by authorized officer of Eurodrive.

### 9. PATENTS

Eurodrive shall indemnify and hold harmless the purchaser against all claims or actions that are instituted against the purchaser on the grounds that the purchaser has infringed the patent rights of others by using, reselling, or promoting the sale or resale of Eurodrive's products, provided that Eurodrive shall not be obligated hereunder if:

- The purchaser fails to give Eurodrive prompt notice of any such claim or actions, or
- Such claims or actions against the purchaser are based wholly or in part on the existence or operation of any complete installation or apparatus incorporating Eurodrive's products as components and which is designed or manufactured by the purchaser or its customers.

### 10. REGULATORY LAWS OR STANDARDS

Eurodrive makes no representation that its products conform to state or local laws, ordinances, regulations, codes or standards except as may be otherwise agreed to in writing by an authorized officer of Eurodrive.

### 11. LIMITED WARRANTY

Eurodrive warrants all its products against defects in material and workmanship for a period of one (1) year from the date the product is placed in service to a maximum of eighteen (18) months from date of shipment. Parts subject to replacement due to operational wear and tear, viz. Varigear belts and Varimot traction elements, are not covered by this Limited Warranty. Notwithstanding the foregoing, any equipment or components of the products not of Eurodrive's own manufacture and/or specified by the purchaser is sold under only such warranty as the maker thereof gives Eurodrive and Eurodrive is able to enforce, but such items are not warranted by Eurodrive in any way. Use of products above rated capacity, misuse,

field alterations of products, damage due to lack of maintenance or improper storage, neglect or accident are also excluded from this Limited Warranty.

This Limited Warranty is effective provided:

- The purchaser notifies Eurodrive in writing of the alleged defect immediately after it becomes known to the purchaser; and
- no alterations, repairs, or services have been performed by the purchaser or third parties on the products without written approval of an authorized officer of Eurodrive.

Eurodrive's obligation under this Limited Warranty is limited to the repair or replacement FOB Eurodrive's factory or any part or parts found to be defective in material or workmanship.

Eurodrive shall, in no event, be liable to the user/purchaser under this Limited Warranty, or otherwise, for claims, expenditures or losses arising from operational delays or work stoppages or damages to property or people caused by defective products or for consequential or indirect damage of any nature whatsoever.

**THIS LIMITED WARRANTY IS IN LIEU OF ALL OTHER EXPRESS OR IMPLIED WARRANTIES INCLUDING ANY WARRANTY OF MERCHANTABILITY OR FITNESS FOR ANY PARTICULAR PURPOSE.**

### 12. ASSIGNMENT

No contract to purchase goods from Eurodrive may be assigned by the purchaser without prior agreement in writing by an authorized officer of Eurodrive.

### 13. SECURITY INTEREST

Unless and until the products are fully paid for, Eurodrive reserves a security interest in them to secure the unpaid balance of the price and all other obligations of the purchaser to Eurodrive however arising. The purchaser hereby grants Eurodrive a power of attorney to execute and file on behalf of purchaser all necessary financing statements and other similar documents required to protect the security interest granted herein.

### 14. DAMAGES; LIMITATION

In the event of breach of this agreement by Eurodrive, the rights of the purchaser are limited to the amount therefore paid to Eurodrive for the goods. THE PURCHASER SHALL HAVE NO RIGHT TO CONSEQUENTIAL OR INDIRECT DAMAGES, WHETHER FOR INJURES TO PERSON, PROPERTY OR OTHERWISE.

### 15. DEFAULT

If the purchaser defaults in performing any of its obligations to Eurodrive under this agreement, or any other agreements, Eurodrive may, at its option and without incurring any liability thereby, elect to terminate this agreement or to terminate any or all other agreements with the purchaser or to terminate this agreement together with any or all such other agreements. Furthermore, Eurodrive shall have a right to all damages sustained, including loss of profits.

### 16. INSOLVENCY

If the purchaser shall be insolvent or cease doing business or be the subject of any proceedings under any bankruptcy, insolvency, reorganization or arrangement statute or law, such act shall at the option of Eurodrive, be deemed a default under this agreement, and Eurodrive may elect to cease performing and cancel this agreement with respect to any products not delivered or received prior to the election. All of the foregoing shall be without prejudice to recovery by Eurodrive of damages for work performed and for loss of profits and material and products delivered.

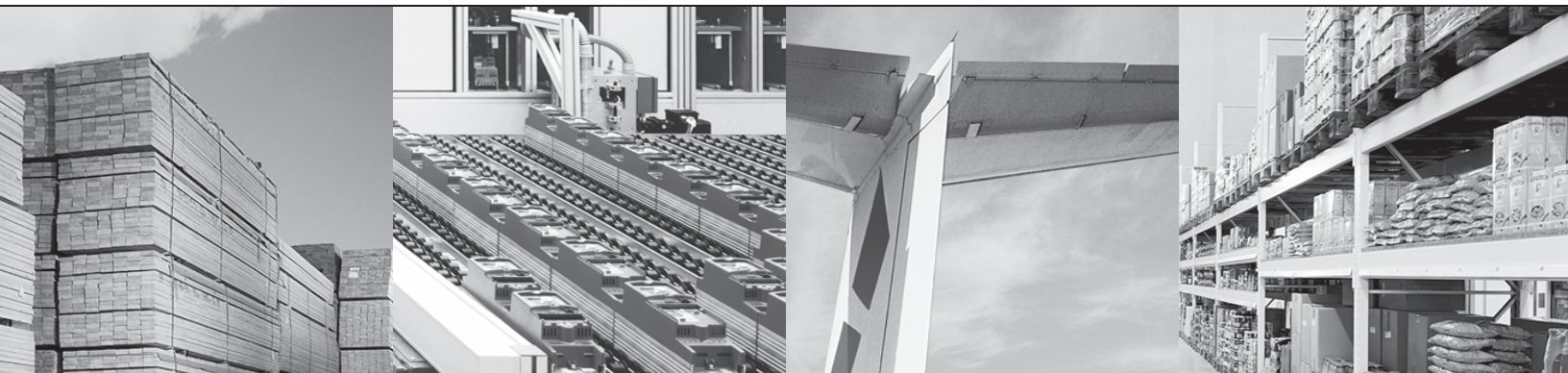
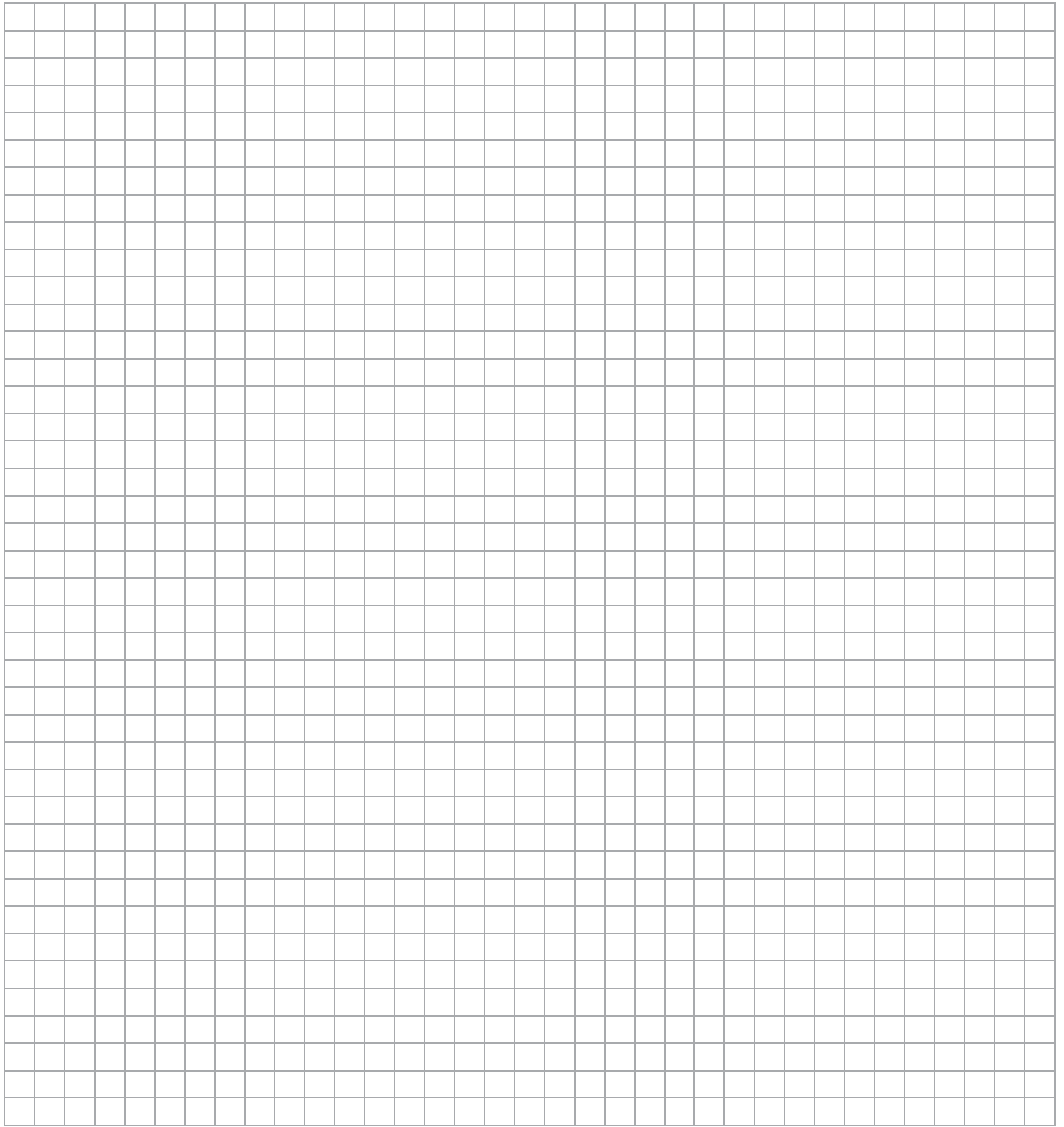
### 17. CONFIDENTIALITY

Only officers of SEW Eurodrive have the authority to sign confidentiality agreements.

### 18. MISCELLANEOUS

The provisions of this agreement shall be governed and construed in accordance with the laws of the State of South Carolina. These terms and conditions set forth the entire understanding and agreement of the parties hereto in respect to the subject matter hereof, and all prior undertakings between the parties hereto, together with all representations and obligations of such parties in respect to such subject matter, shall be superseded by and merged into this agreement. No provisions hereof shall be waived, changed, terminated, modified, discharged or rescinded, orally or otherwise, except by a writing signed by the party to be charged by any such waiver, change, termination, modification, discharge, or rescission. No waiver of any breach of any provision of this agreement shall constitute an amendment or modification of this agreement, or any provision thereof. If any provision of this agreement shall be held to be unenforceable or inapplicable in any way or respect, such holding shall not affect the enforceability of any other provision of this agreement under any other circumstances. The provisions of this agreement shall bind and inure to the benefits of the parties hereto and their respective heirs, executors, administrators, successors, and (subject to any restrictions on assignment hereinabove set forth) assigns. In the event unspecified redress or commitments develop not covered above, terms of the Uniform Commercial Code under the laws of South Carolina will be construed as being effective as they may pertain.





# FAMCO

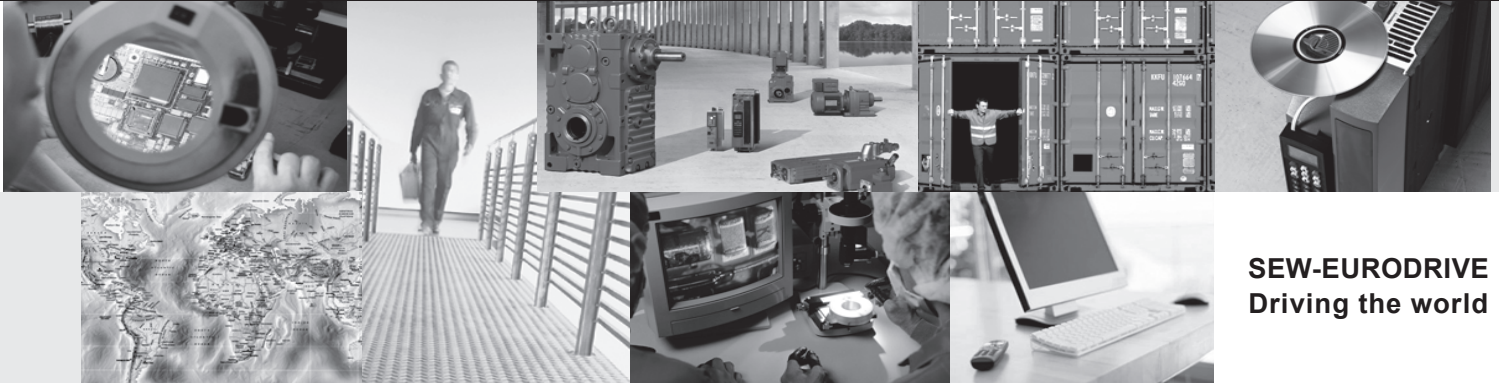
## هایپر صنعت

With a global presence that offers responsive and reliable solutions. Anywhere.

With drives and controls that automatically improve your productivity.

With comprehensive knowledge in virtually every branch of industry today.

With industry-leading training and 24-hour technical support, nationwide.



**SEW-EURODRIVE**  
Driving the world

With a worldwide service network that is always close at hand.

With uncompromising quality that reduces the cost and complexity of daily operations.

With innovative technology that solves problems today.

With online information and software updates, via the Internet, available around the clock.

## SEW-EURODRIVE ... Wherever you are, we are

### North America:

Midwest Region  
Assembly Center  
SEW-EURODRIVE, Inc.  
Troy, OH 45373  
Tel. (937) 335-0036  
Fax (937) 440-3799  
cstroy@seweurodrive.com



Northeast Region  
Assembly Center  
SEW-EURODRIVE, Inc.  
Bridgeport, NJ 08014  
Tel. (856) 467-2277  
FAX (856) 845-3179  
csbridgeport@seweurodrive.com

Southeast Region  
Assembly Center  
SEW-EURODRIVE, Inc.  
Lyman, SC 29365  
Tel. (864) 439-7537  
Fax (864) 439-7830  
cslyman@seweurodrive.com

Southwest Region  
Assembly Center  
SEW-EURODRIVE, Inc.  
Dallas, TX 75237  
Tel. (214) 330-4824  
Fax (214) 330-4724  
csdallas@seweurodrive.com

Western Region  
Assembly Center  
SEW-EURODRIVE, Inc.  
Hayward, CA 94544  
Tel. (510) 487-3560  
Fax (510) 487-6433  
cshayward@seweurodrive.com

 [www.famcocorp.com](http://www.famcocorp.com)  
 E-mail: [info@famcocorp.com](mailto:info@famcocorp.com)  
 @famco\_group

 Tel: ۰۲۱-۴۸۰۰۰۰۴۹  
 Fax: ۰۲۱-۴۴۹۹۴۶۴۲

تهران، کیلومتر ۲۱ بزرگراه لشگری (جاده مخصوص کرج)  
روبروی پالایشگاه نفت پارس، پلاک ۱۲