

SensoIRIS GAS GAS DETECTOR

Type: LPG/CH4

Teletek Electronics JSC
Address: 14A Srebarna Str,
1407 Sofia, Bulgaria

FAMCO
ہایپر صنعت



TECHNICAL DATA

Power supply	24 VDC
Power consumption	<3W
Protection against electric shock	Class III
Degree of Protection	IP20
Power connection	hard wired
Sensor type	catalytic
Sensor lifetime	5 years
Detected gases	LPG/CH4 (Methane)
Alarm threshold	10% LEL
Indicators:	
Normal operation	Green LED
Alarm	Red LED/Sound
Fault	Yellow LED/Sound
Heating-up time	30 sec
Working temperature	0 - 40°C
Humidity limits	20 - 80% RH
Alarms sound level	>85 dB
Size	130x96x38mm
Weight	0,200kg
Enclosure material	ABS
Enclosure color	White (RAL 9003)

! ATTENTION: The SensoIRIS GAS detector must be connected only to fire panels, which support TTE communication protocol!
This manual is subject to change without notice!

GENERAL INFORMATION

SensoIRIS GAS is addressable gas, LPG and CH4 (Methane), leakage detector. When flammable gas is present in concentrations, higher than the dangerous, threshold alarm level is activated. Red indicator lights on and buzzer is turned on.

SensoIRIS GAS features a button with the following functions:

- If short pressed "SILENCING" mode is activated. Green LED flashes, buzzer and panel activation are disabled for 5min;
- If pressed for more than 5 seconds "TEST" mode is activated. In this case green, red and yellow LED's are activated. Panel and buzzer are activated, too. After 6 seconds gas detector emits 2 short sounds and leaves "TEST" mode.

Gas detector has auto diagnostic function. It continuously checks sensor and electronics status. If problem with sensor or electronics yellow LED is activated, green LED blinks and sound signal is activated.

Choosing the mounting place

Ceiling

Detector

0.3 - 1.0m

0.3 - 1.0m

Gas source: gas oven

Floor

- The LPG is heavier than air and the detector should be placed at height from the room floor between 0.3 - 1.0m.
- The CH4 (Methane) is lighter than air and the detector should be placed at height from the room ceiling between 0.3 - 1.0m.
- The distance from the detector to the gas source for the both mentioned above cases should not exceed 1.5m.

INSTRUCTIONS FOR USE

Choosing the mounting place - continue

FAMCO
هایپر صنعت

Avoid to install gas detector in the position in which its normal operation could be compromised:

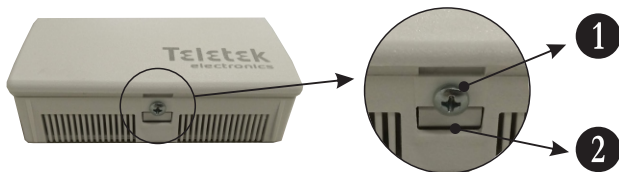
- directly over the cooking stoves;
- areas where the temper
- directly above a sink;
- in an enclosed space (e.g. in a cupboard or behind a curtain);
- next to a door or window;
- next to an extractor fan;
- where dirt and dust may block the sensor;
- in a damp or humid location.

Do not use the following substances near to the device:

- solvents and diluents;
- alcohol, fuels;
- silicones products and colors;
- perfumes;
- cleaning detergents;
- spray products.

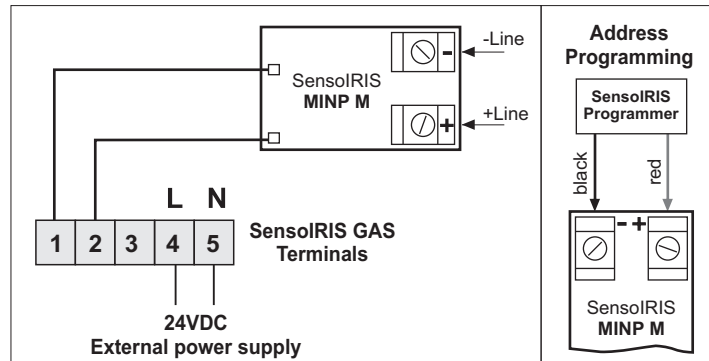
To mount gas detector

- Open the enclosure as first undo the securing screw with a crossed-slot screw driver (1), then press the opening pin (2) and lift the cover.



Connection

Connect the Positive loop wire to "+" terminal of the SensoIRIS MINP M module, and the Negative loop wire to "-" terminal of the module. Set the address of SensoIRIS MINP M module using SensoIRIS Programmer. For detailed description of SensoIRIS MINP M module refer to its installation manual available at www.teletek-electronics.com.



WARNING:

- Installation and wiring of gas detector must be made by qualified technician with compliance with the current standards.
- Before wiring this gas detector turn mains power off.
- To ensure correct operation periodic functional check is advisable. In order to check the proper efficiency of the device sensor a specific test gas bottle must be used. Any other method for testing, such as the use of cigarette lighters or flammable substances can lead to wrong conclusions and damage the sensor.

WARNING in case of alarm:

- Extinguish all fire sources.
- Stop gas supply by closing main gas valve.
- Do not turn on or off any electrical devices.
- Open doors and windows to increase ventilation.

When alarm stops it is necessary to find gas leaking cause. If alarm persists and the leak can not be found, vacate the premise and immediately inform the gas emergency service.

In the view of a constant development of their products, the manufacturer reserves the right for changing technical data and features without prior notice. The consumer is guaranteed against any lack of conformity according to the European Directive 1999/44/EC as well as to the manufacturer's document about the warranty policy. The full text of warranty is available on request from the seller.