

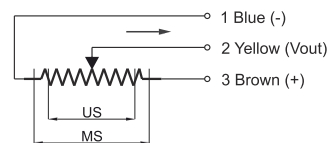
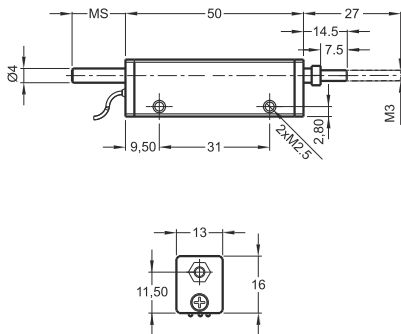
Linear Potentiometer Ultra Slim Body Serie

- Measuring range 10 - 25 mm
- Long mechanical life
- Excellent repeatability <0.01 mm
- Infinite resolution



Technical specifications

Measurement stroke	10 to 25 mm
Linearity	± %0,05
Repeatability	< 0.01 mm
Resolution	Infinite
Resistance	2KOhm or 5 KOhm or 10 KOhm
Resistance tolerance	± %20
Load resistance	100 KOhm min.
Recommended cursor current	<1 µA
Permissible applied voltage	28 VDC max.
Electrical connections	Cable output
Displacement speed	< 5 m/s
Mechanical life	50 million cycles
Case dimensions	13x16 mm
Case material	Anodized aluminium
Rod material	Stainless steel
Rod diameter	Ø4 mm
Mechanical fixing	Screws
IP degree	IP 63
Operating temperature	-20°C ... +80°C
Storage temperature	-30°C ... +90°C



LMT(mm)	10	14	25
US (Usefull Stroke)	10	14	25
MS (Mechanical Stroke)	12	15	27
L (Total Length)	69	77	89

Model	Measurement stroke (mm)	Linearity (%)	Resistance (KOhm)	Connector / Cable
(example) LMT	25	D	5K	0M15
LMT	10 ... 25mm	D : ± %0,05 (standard)	2K : 2 KOhm 5K : 5 KOhm 10K : 10 KOhm	0M15 : 0,15 meter cable (standard) 1M : 1 meter cable