

DIAPHRAGM PUMPS


BOXER 503 METALLO

MADE IN ITALY



- **Product of Italian origin**
- **Patented** stall protection pneumatic circuit
- Works with **non**-lubricated air
- **Self priming**
- Idles without damage
- Possibility of adjusting the pumping speed
- Versatility of use
- Broad choice of materials that are compatible with the fluid to be pumped
- Particularly suitable for heavy duty applications
- Atex zone 1 (*on request*) - Atex zone 2 standard
- Available with NPT fittings (*on request*)
- Available with clamp / din connections (*on request, only for stainless steel pumps*)
- Diaphragms with "long life" profile
- Diaphragms in various materials
- Suitable for pumping high viscosity fluids
- High performance
- High power and sturdiness
- Continuous operation: YES
- Warranty: 1 year - according to our general conditions of sale
- Spare parts: to identify the spare parts check the exploded views provided at the end of the operation and maintenance manual



 **STANDARD:** II 3/3 GD c IIB T135°C (zone 2)
CONDUCT: II 2/2 GD c IIB T135°C (zone 1)

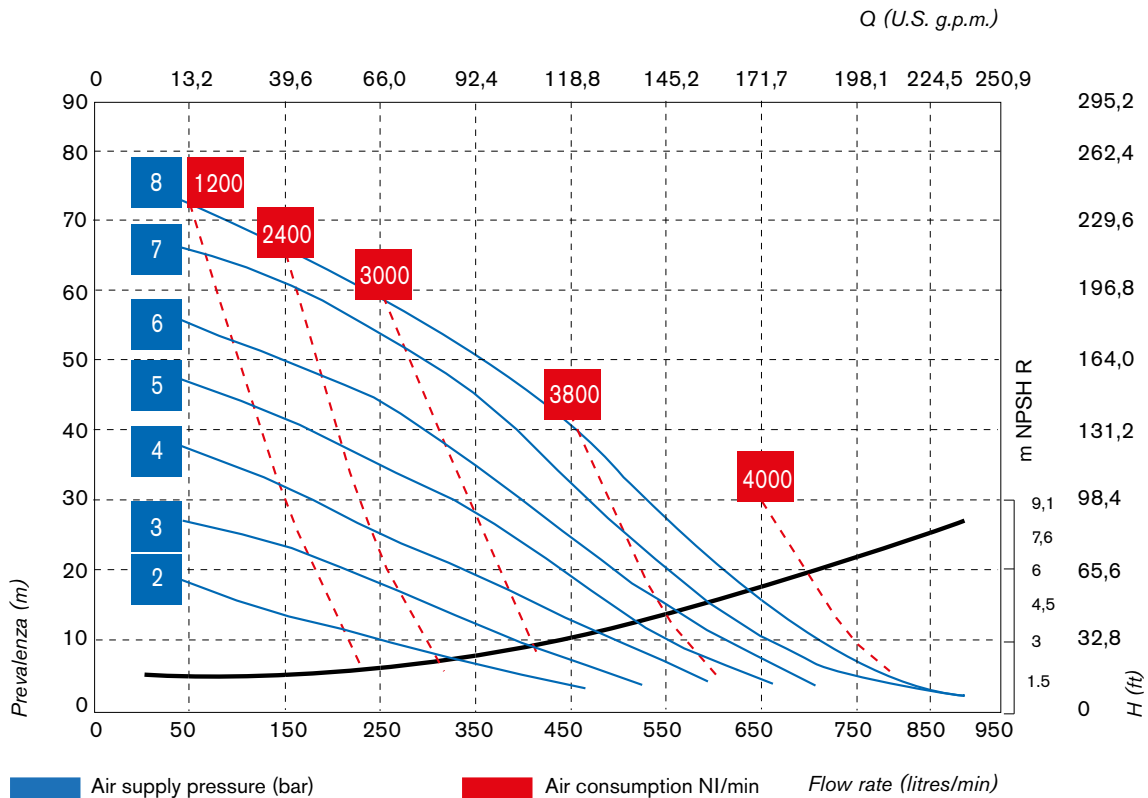
Intake/delivery connections G 3" f o DN 80 (*) - flow rate 900 l/min

Construction materials Alu - AISI 316

(*) NPT connections on request



Ex STANDARD: II 3/3 GD c IIB T135°C (zone 2)
CONDUCT: II 2/2 GD c IIB T135°C (zone 1)



* The curves and performance values refer to pumps with submerged suction and a free delivery outlet with water at 20°C, and vary according to the construction material. ** Attention: the average values of the various configurations of materials by ball and ball seats. *** The value depends on the configuration of the pump.

Guaranteed head/flow rate according to ISO 9906

Intake/delivery connections	G 3" f o DN 80 (*)
Air connection	G 3/4" f
Max. flow rate*	900 l/min
Max. air supply pressure	8 bar
Max. head*	80 m
Max. self-priming capacity**	4 m
Max. stored neg. suction	9,5
Max. diameter of passing solids	10 mm
Noise***	80 dB
Displacement per cycle	1.825 cc
Max. viscosity	50.000 cps

(*) NPT connections on request

Construction materials and net weight	Alu	66 Kg	Temp. 3°C min.	95°C max.
	AISI 316	71 Kg	Temp. 3°C min.	95°C max.



BOXER 503 (Alu): A2-M3
 BOXER 503 (AISI 316): A2-M3

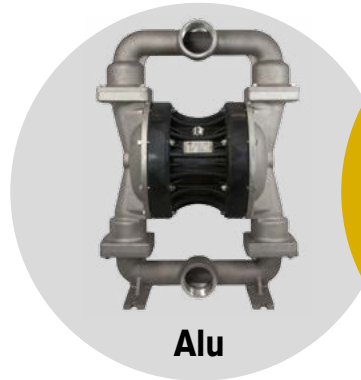
DIAPHRAGM PUMPS

BOXER 503 METALLO



Ex STANDARD: II 3/3 GD c IIB T135°C (zone 2)
CONDUCT: II 2/2 GD c IIB T135°C (zone 1)

AVAILABLE MATERIALS



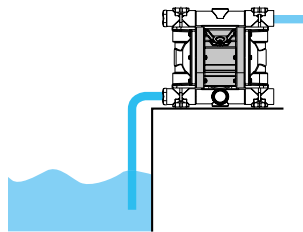
Alu



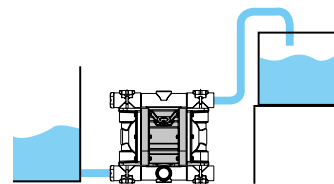
AISI 316

INSTALLATION

SELF PRIMING

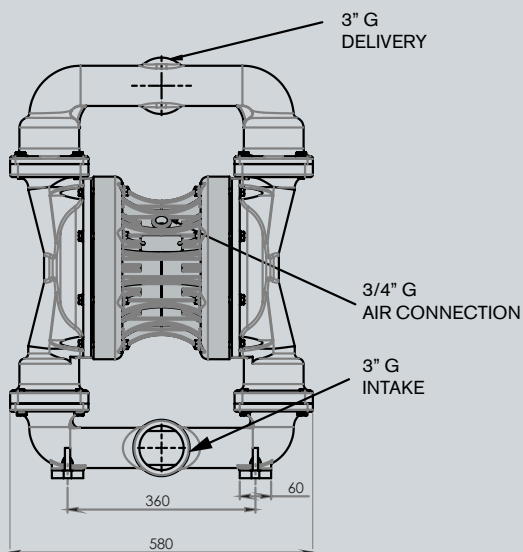


POSITIVE SUCTION HEAD



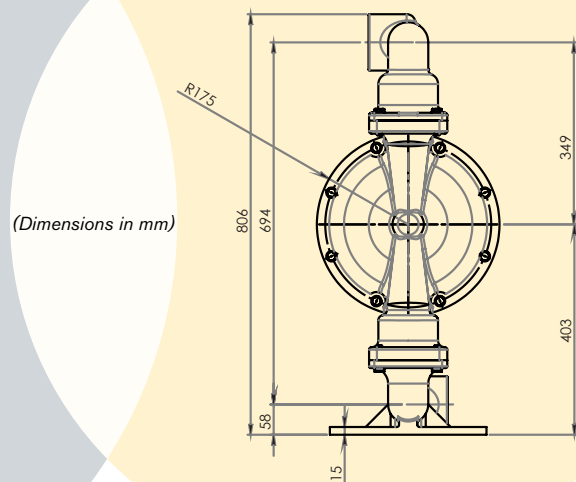
B503

Alu/AISI 316



B503

Alu/AISI 316



Packing for Alu pump: wooden case - 84 x 60 x 36 cm - weight 31 Kg
(the weight only refers to the packaging without the pump in it).

Packing for AISI 316 pump: wooden case - 56 x 86 x 36 cm - weight 30 Kg
(the weight only refers to the packaging without the pump in it).

DIAPHRAGM PUMPS

BOXER 503 METALLO



Ex STANDARD: II 3/3 GD c IIB T135°C (zone 2)
 CONDUCT: II 2/2 GD c IIB T135°C (zone 1)

BOXER COMPOSITION CODE

ex. **IB503 - A - HT - T - A - V**

Internal Exchanger, Boxer 503, body AISI 316, air side diaphragm Hytrel, fluid side diaphragm PTFE, balls PTFE, ball seats AISI 316, O-Ring in Viton.

I	B503 -	A -	H	T	T	A	V	-	-
INTERNAL EXCHANGER	PUMP MODEL	PUMP BODY	AIR SIDE DIAPHRAGM	FLUID SIDE DIAPHRAGM	BALLS	BALL SEATS	O-RING	TWIN MANIFOLD	CONDUCT VERSION
I	B503 - Boxer 503	AL - Alu A - AISI 316	H - Hytrel M - Santoprene D - EPDM N - NBR	T - PTFE*	T - PTFE A - AISI 316** D - EPDM N - NBR	A - AISI 316 L - Alu I - HMWHDPE	T - PTFE D - EPDM V - Viton N - NBR	X	C

*) Cover diaphragms (only on Hytrel and Santoprene diaphragms) cannot be fitted individually.

**) Only for AISI 316 pump.

PRODUCT APPLICATION

