

# FOODBOXER 503


MADE IN ITALY



- **Product of Italian origin**
- **Patented** stall protection pneumatic circuit
- Works with **non**-lubricated air
- **Self priming**
- Possibility of adjusting the pumping speed
- Versatility of use
- Idles without damage
- Electropolished 316 steel pumps
- Ideal for the food, cosmetics and beverage industries
- Materials in compliance with FDA regulations

- Parts in contact with fluid:  
Electropolished AISI 316 and FDA PTFE
- Atex Zone 1 (*on request*) - Atex zone 2 standard
- Possible fittings: CLAMP/DIN/GAS (*NPT upon request*)
- Suitable for pumping high viscosity fluids
- Continuous operation: YES
- Warranty: 1 year - according to our general conditions of sale
- Spare parts: to identify the spare parts check the exploded views provided at the end of the operation and maintenance manual



 **STANDARD:** II 3/3 GD c IIB T135°C (zone 2)  
**CONDUCT:** II 2/2 GD c IIB T135°C (zone 1)

**Intake/delivery connections:**

CLAMP / DIN / GAS 3" f (\*) - flow rate 900 l/min

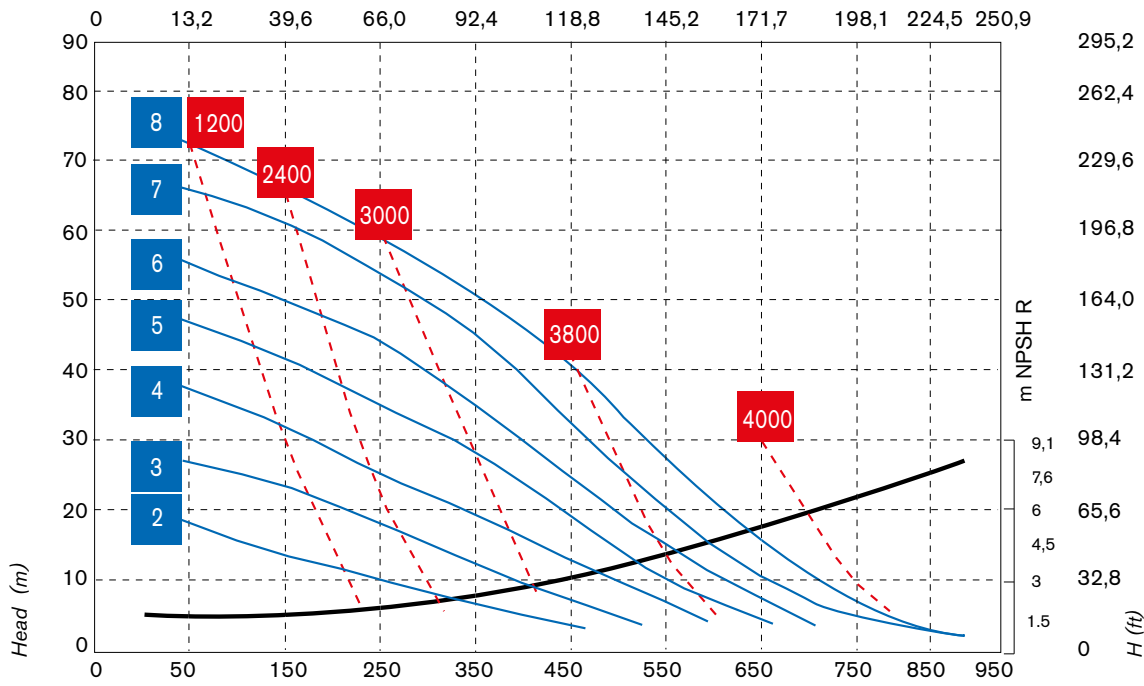
**Construction materials** AISI 316 electro-polished

(\*) NPT connections on request



**STANDARD:** II 3/3 GD c IIB T135°C (zone 2)  
**CONDUCT:** II 2/2 GD c IIB T135°C (zone 1)

U.S. g.p.m.



■ Air supply pressure (bar)      ■ Air consumption NI/min      Flow rate (litres/min)

\* The curves and performance values refer to pumps with submerged suction and a free delivery outlet with water at 20°C, and vary according to the construction material. \*\* Attention: the average values of the various configurations of materials by ball and ball seats. \*\*\* The value depends on the configuration of the pump.

Guaranteed head/flow rate according to ISO 9906

<b>Intake/delivery connections</b>	CLAMP / DIN / G 3" f (*)
<b>Air connection</b>	G 3/4" f
<b>Max. flow rate*</b>	900 l/min
<b>Max. air supply pressure</b>	8 bar
<b>Max. head*</b>	80 m
<b>Max. self-priming capacity**</b>	5 m
<b>Max. stored neg. suction</b>	9,5
<b>Max. diameter of passing solids</b>	10 mm
<b>Noise***</b>	80 dB
<b>Displacement per cycle</b>	1.825 ccv
<b>Max. viscosity</b>	50.000 cps

(\*) NPT connections on request

<b>Construction materials and net weight</b>	AISI 316	71 Kg	Temp.	3°C min.	95°C max.
--	----------	-------	-------	----------	-----------



FOODBOXER 503: A2-M3

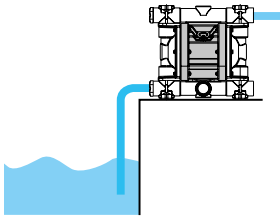
**Ex** STANDARD: II 3/3 GD c IIB T135°C (zone 2)  
CONDUCT: II 2/2 GD c IIB T135°C (zone 1)

## AVAILABLE MATERIALS

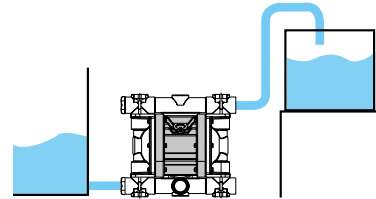


## INSTALLATION

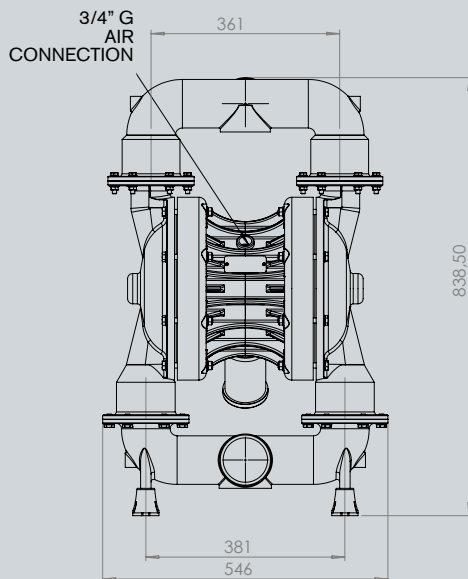
SELF PRIMING



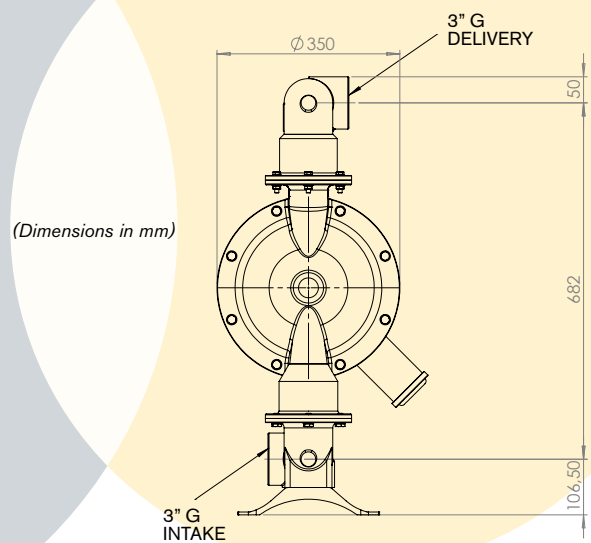
POSITIVE SUCTION HEAD



**FB503**  
AISI 316



**FB503**  
AISI 316



**Packing:** cardboard box - 94 x 64 x 52 cm-weight 30 Kg  
(the weight only refers to the packaging without the pump in it).

**Ex** STANDARD: II 3/3 GD c IIB T135°C (zone 2)  
CONDUCT: II 2/2 GD c IIB T135°C (zone 1)

## FOODBOXER COMPOSITION CODE

ex. **FB503-A-HTAAT--**

Foodboxer 503, body AISI 316, air side diaphragm Hytrel, fluid side diaphragm PTFE, balls AISI 316, ball seats AISI 316, O-Ring in PTFE

FB503 -	A -	H	T	A	A	T	-	-
INTERNAL EXCHANGER	PUMP BODY	AIR SIDE DIAPHRAGM	FLUID SIDE DIAPHRAGM	SFERE	SEDI SFERE	O-RING	COLLETTORE SDOPPIATO	CONDUCT VERSION
FB503 - Foodboxer 503	A - AISI 316	H - Hytrel	T - PTFE*	A - AISI 316 T - PTFE	A - AISI 316	T - PTFE	X	C

\*) Cover diaphragms (only on Hytrel diaphragms) cannot be fitted individually.

## PRODUCT APPLICATION

